

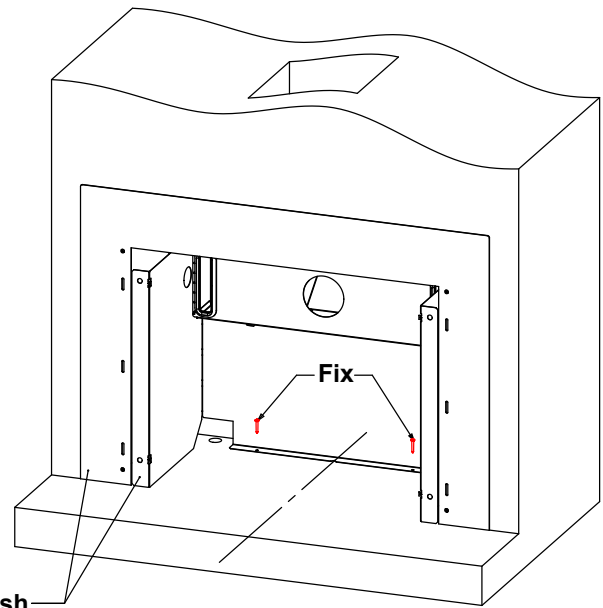
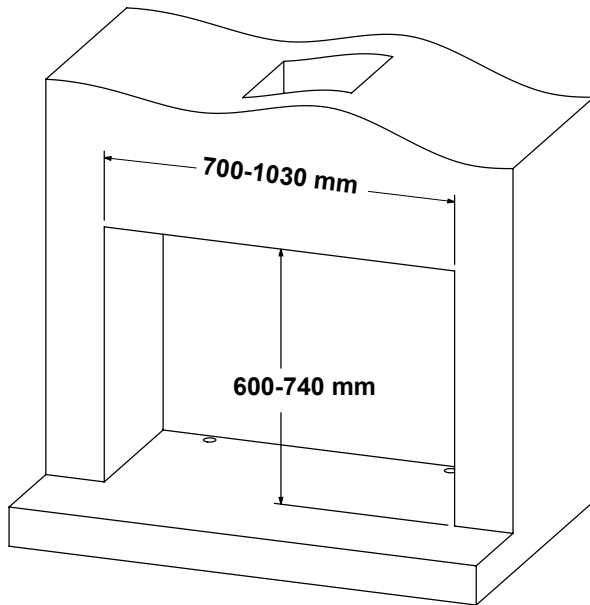
## Novo / SS850 Inbuilt Masonry Infill panel installation



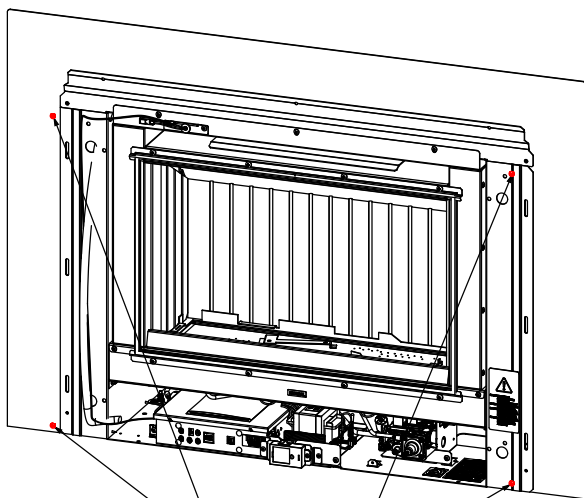
New Zealand model - Novo, Australian model - SS850

The black powder coated infill panel is for masonry installations where the cavity is slightly larger than the frame that comes with the Novo / SS850. The panel covers the gap behind the fire.

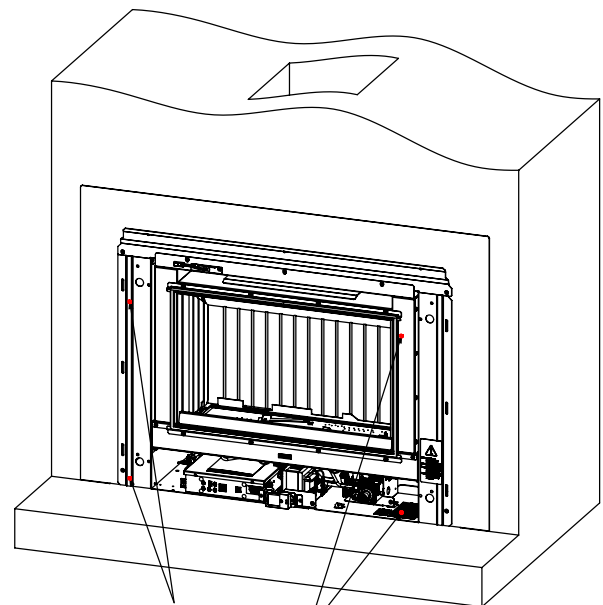
**Note:** It is not suitable for the Classic fascia.



Faces flush



Fix the infill  
panel to the fire



Fix the fire  
to the frame