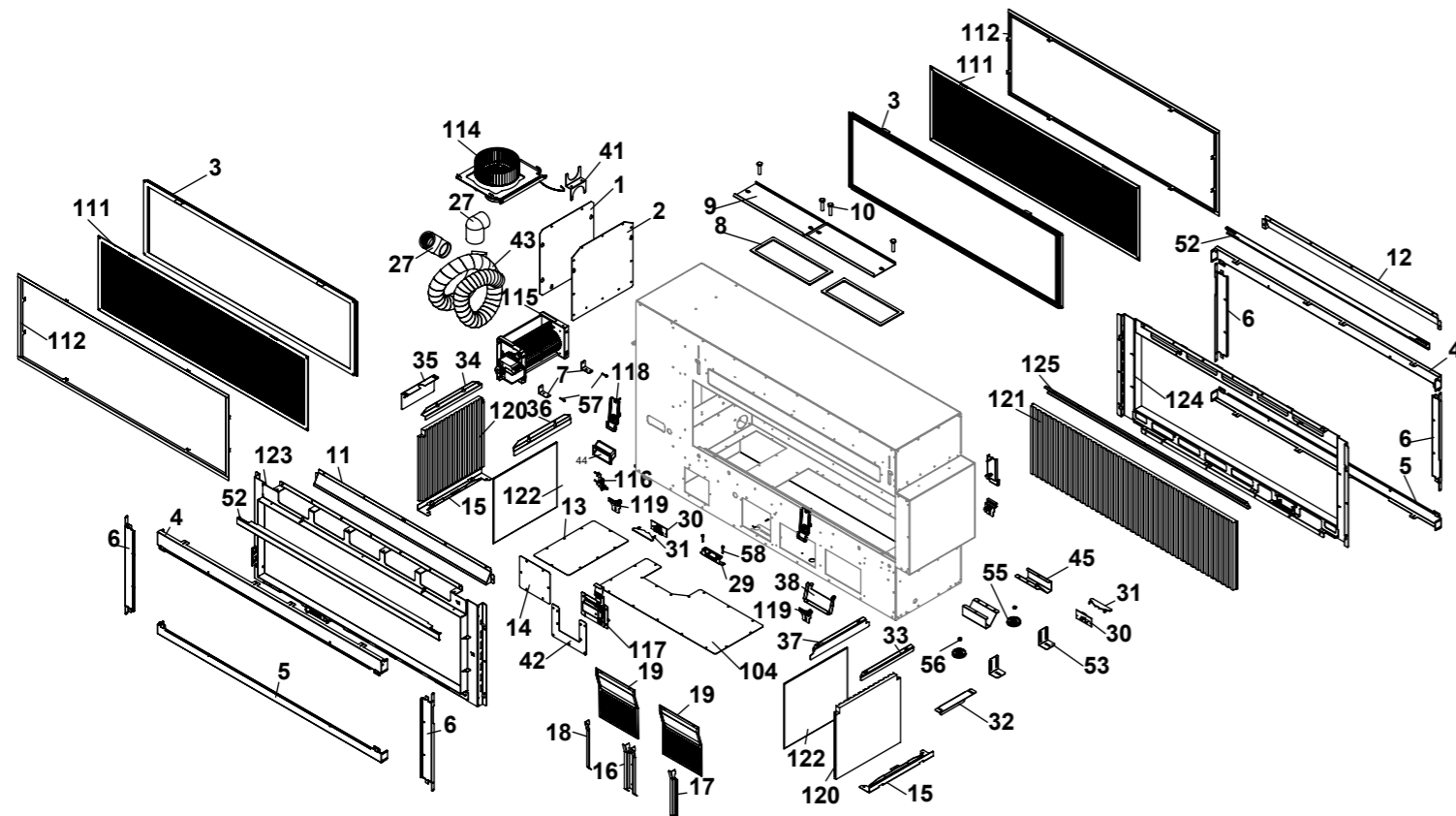


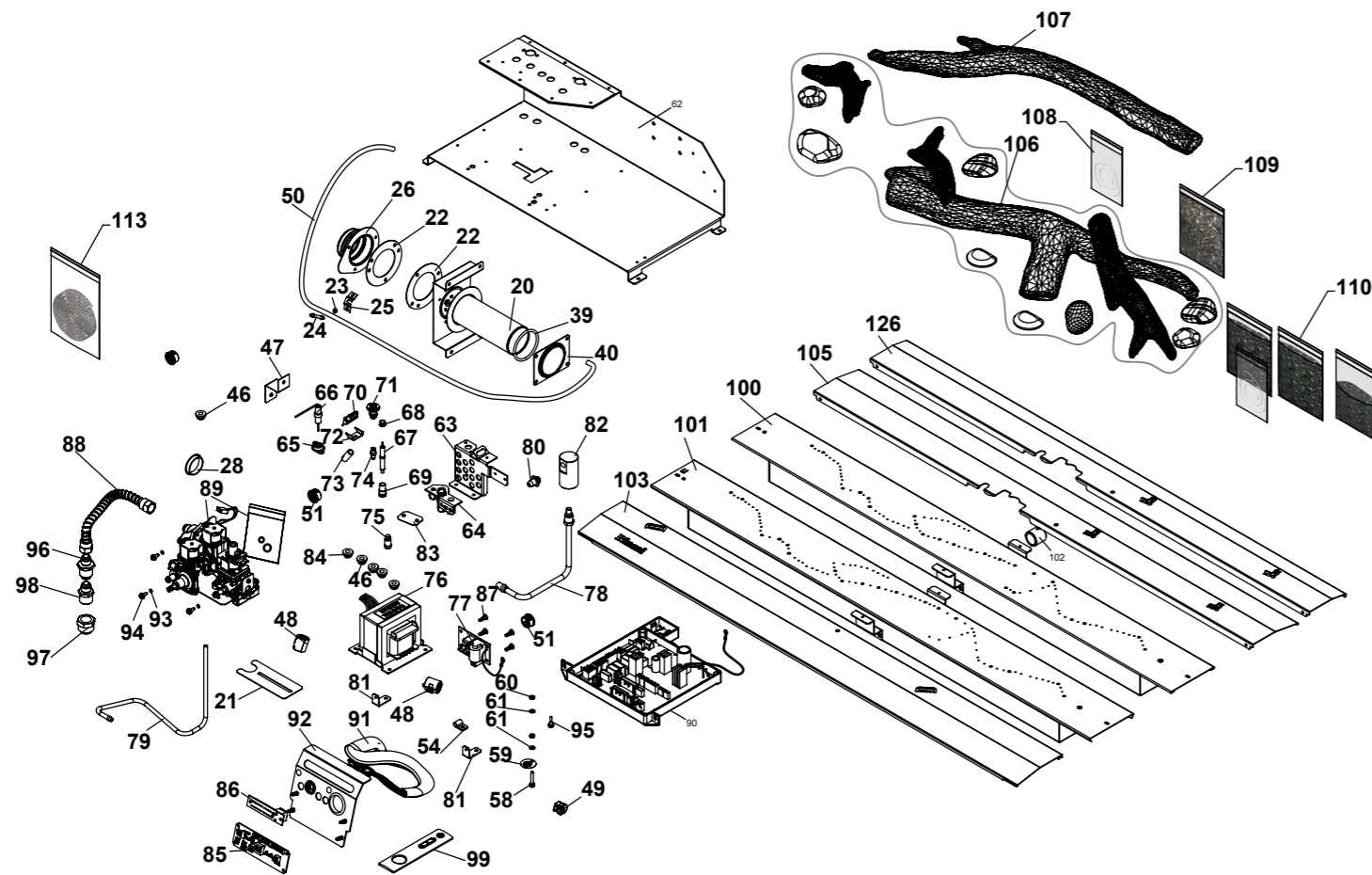
This diagram is provided to assist you to identify parts if replacement is necessary. Contact your place of purchase or the manufacturer to enquire about parts, availability and/or service.



Ref.	Description	Part No.
1	Fan access panel A	13317
2	Fan access panel B	13509
3	Glass frame (rope seal tape fitted)	13443
4	Wallboard support rail top	13515
5	Wallboard support rail bottom	13517
6	Wallboard support rail side	13516
7	Fan mounting bracket	13311
8	Pressure relief gasket	13330
9	Pressure relief panel	13312
10	Pressure relief pin	13352
11	Front air diverter guide	16116B
12	Rear air diverter guide	13508B
13	Convection fan access panel	13319
14	Front fan access panel	13321
15	Panel support bracket	13327F
16	Centre filter rail	16112GL
17	Right filter rail	16113GL
18	Left filter rail	16114GL
19	Filter	16111G
27	Rubber air elbow	4328
29	IR receiver bracket	13468GL
30	IR receiver PCB	13419
31	IR receiver lens acrylic	13416
32	Right ceramic panel spacer	13358
33	Right ceramic panel holder	13359F
34	Left ceramic panel holder	13355F
35	Left ceramic panel spacer	13356
36	Left magic black glass retainer	13363F
37	Right magic black glass retainer	13374F
38	Control panel holder	13402
41	Flue clamp bracket	13398
42	Inlet access panel	13323
43	Air inlet hose	10349
44	Plastic handle	B021363
45	Handle / spacer	13339
52	Louvre	13617B
53	Seismic restraint bracket	13384
55	Adjustable rubber foot assembly	1610
56	M6 nut	9176

Ref.	Description	Part No.
57	M4 x 20 screw pan phillips ZP	9073
58	M4 x 25 screw c/w spring & flat washer	9076
104	Gas control access panel	13320
111	Mesh guard assembly (accessory)	R2913
112	Finishing trim (15 mm wide) (accessory)	R2916
114	Combustion fan	13680
115	Convection fan	13681
116	ON/OFF button assembly	13686
117	Wi-Fi receiver assembly	13687
118	Top glass retainer assembly (incl. pins, screws, spring)	16129
119	Bottom glass retainer assy. (incl. pins, screws, spring)	13689
120	Ceramic end panel	13692
121	Ceramic back/centre panel	13693
122	Magic black glass end panel	13697
123	Front lip assy. c/w IR bracket	16127
124	Rear lip assy. c/w IR bracket	13701
125	Rear ceramic panel holder	13513F

This diagram is provided to assist you to identify parts if replacement is necessary. Contact your place of purchase or the manufacturer to enquire about parts, availability and/or service.

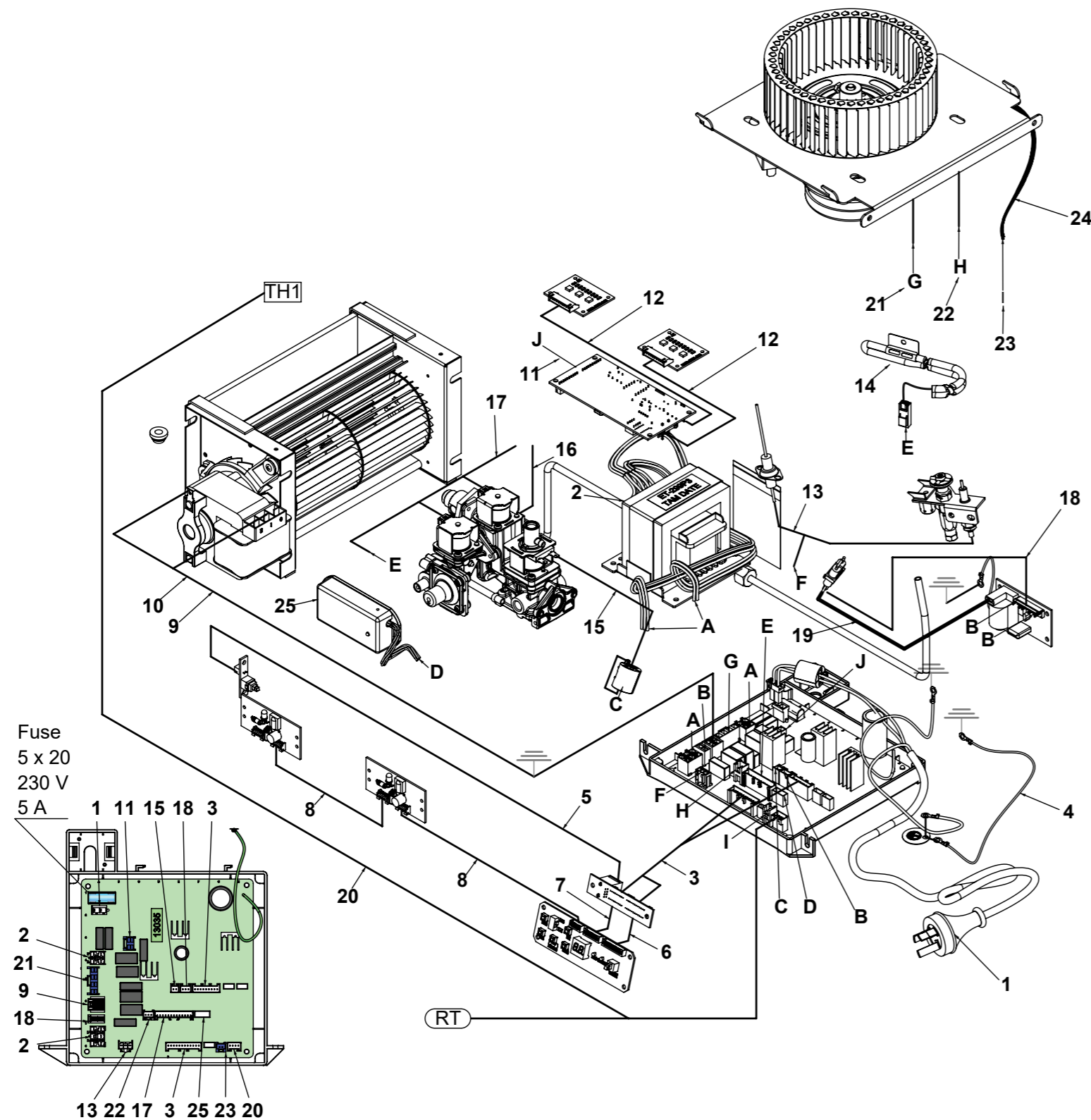


Ref.	Description	Part No.
20	Air inlet assembly	10236
21	Pipe inlet cover	13331
22	Air inlet packing	10238
23	Test point packing	9995
24	Air pressure tube	10492
25	Pressure tube clamp	10493
26	Air inlet hose connector	10344
28	Edge protector 32 mm	11937
39	O-ring 49 mm	4850
40	Inlet seal clamp plate	13532
46	Grommet silicon Ø4 hole red	10293
47	TH1 thermistor bracket	13900
48	Ferrite clamp	13004
49	Power cord grip gland	7845
50	Silicone tube 7 mm	12658
51	Edge protector 19 mm adjustable	10658
54	Power cord P clip	9552
58	M4 x 25 screw c/w spring and flat washer	9076
59	Earth tag	11269
60	M4 nut	9186
61	M4 washer	9231
62	Gas control mounting plate	13364
63	Pilot bracket	12824
64	Pilot body convertible	7870
65	Flame rod bracket	3068
66	Flame rod	10274
67	Electrode	7875
69	Electrode nut	7900
70	Double spark electrode	10265
71	Pilot convertible hood 3-flame	10272
72	Electrode clamp universal control	13043
73	Silicone tube 9.5 mm	11641
74	Pilot injector LPG 35 mm	7873
74	Pilot injector NG 62	7795
75	Olive 6 mm	7519
76	Transformer	10258
77	Ignitor	13006
78	Main gas supply tube	13430
79	Pilot gas supply tube	13431
80	Injector main LPG 1.7	11534
80	Injector main NG 2.8	11892
81	PCB mounting bracket	13366

Ref.	Description	Part No.
82	Injector block	11530
83	Blanking plate	13307
84	Grommet silicone 2Ø1.8 hole black	10294
85	Display PCB	10253
86	PCB interface board	12494
87	PCB spacer black	9004
88	Flexi gas tube connector	7835
89	Gas control	13682
90	Main PCB	13684
91	Control panel harness (with cover)	13685
92	Display PCB mounting plate	13704
93	O-ring 4 mm ((M10B-13-4)	2239
94	Test point screw	3564
95	Self-fix rubber bumper 25-TNF	11304
96	½ " BSP flare - ⅜ " BSP flare connector	11944
97	½ " compression nut (RA only)	5064
98	½ " BSPT - ⅜ " BSP flare connector (RA)	5074
99	Remote control	13040
100	Burner Nat Gas and propane	13462F
101	Burner ULPG	13446F
102	Aeration sleeve 22.5 mm	13340
103	Front burner surround	13447F
105	Rear burner surround dble sided	13449F
106	Log and stone set (complete media set R2902)	13480
107	Log set C	13482
108	Wire wool 3 g - glowing ash	13476
109	Vermiculite (1.5 L)	13044
110	Modern media kit (crushed glass)	R2904
113	Replacement ladder tape seal (4 m)	R7012
126	Rear burner surround single sided	13448F

Linear 1000 V2 gas fireplace (wiring)

This diagram is provided to assist you to identify parts if replacement is necessary. Contact your place of purchase or the manufacturer to enquire about parts, availability and/or service.



Ref.	Description	Part No.		
		800	1000	1500
1	Power cord universal control	13042		
2	Transformer	10258		
3	Harness control panel	10284		
4	Wire earth combustion fan	10387		
5	Harness on/off	13379		
6	Harness 12-way control panel	12492		
7	Harness 9-way control panel	12496		
8	Harness receiver	12656		
9	Harness fan - PRE Feb 2020	12839		
9	Harness fan - POST Feb 2020	13407	13407	13101
10	Harness fan extension	N/A	N/A	13351
11	Harness control PCB LED FT only	13333	N/A	N/A
12	Harness LED FT only	13334	N/A	N/A
13	Harness flame rod	13008		
14	Thermal fuse	13011		
15	Harness POV	13012		
16	Harness MV relay	13013		
17	Harness TFMV 1-burner	13014	13014	N/A
17	Harness TFMV 2-burner	N/A	N/A	13010
18	Harness ignition	13031		
19	HT lead universal control	13089		
20	Harness RT OH1	13483		
21	Harness combustion fan	10289		
22	Harness combustion fan speed	10480		
23	Harness combustion fan thermistor fly	10507		
24	Harness thermistor combustion fan	13559		
25	Wi-Fi receiver	13038		