

Rinnai



Rinnai Novo Gas Fire Collection



Novo Freestander

With simple modern lines, the Novo Freestander is the perfect no-fuss replacement for a freestanding woodburner. The glowing logset and realistic flame picture will bring ambience and warmth to those cold winter nights. With a number of base options available, the Novo Freestander has a look to suit your home.

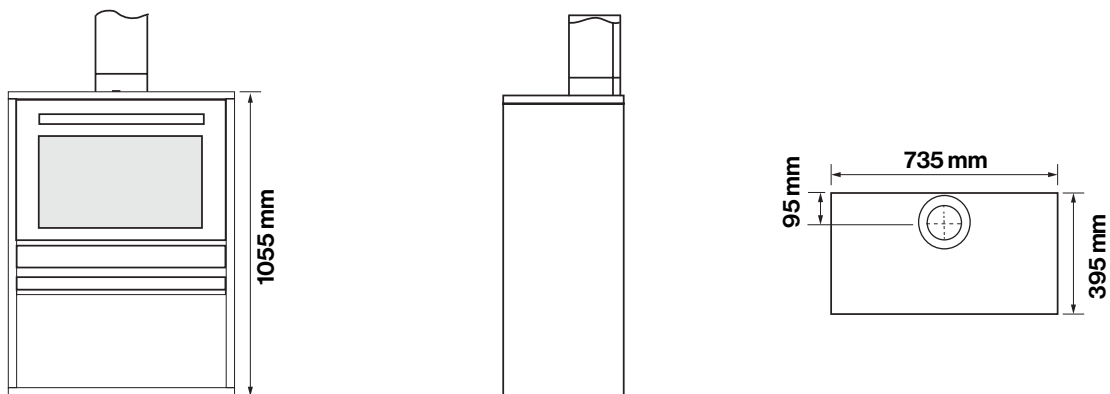
Features

- 3.9 star energy efficiency
- High maximum heat output of 6.6 kW
- Subtle mesh heat shield as an option
- Two base options available; cabinet (shown) and plinth
- Uses the coaxial direct vent flue system, sealed from the room
- Capable to be Wi-Fi enabled (with the additional Wi-Fi Retrofit Kit)
- Available in LPG and Natural Gas
- Includes 'simple-to-use' infrared remote control

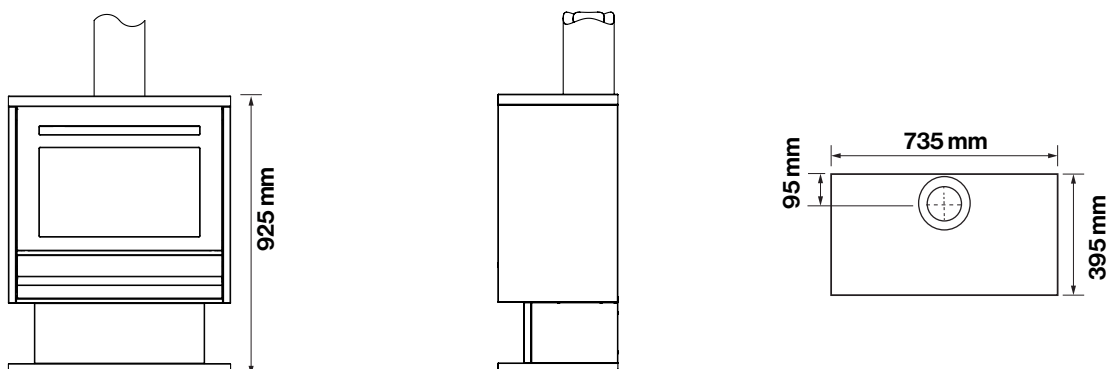


Dimensions

Freestander with Cabinet Base



Freestander with Plinth Base





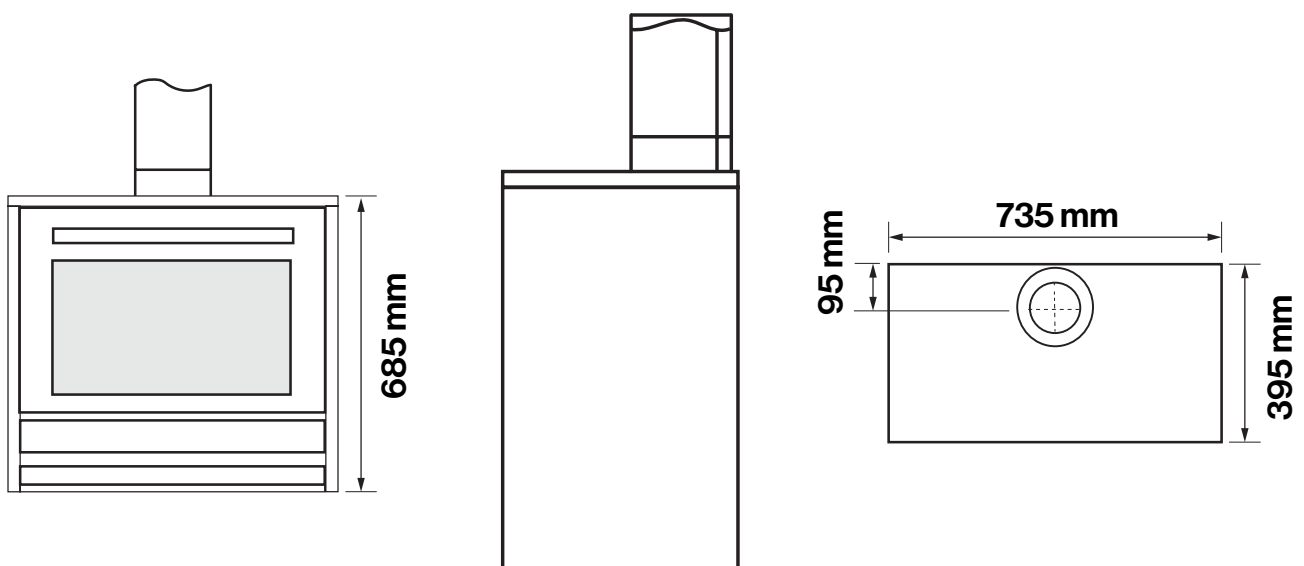
Novo Cube

With unique, modern style, the Novo Cube provides design flexibility that can be integrated into any living space. The Cube is designed to be installed on a choice of fixed furniture,* giving unlimited design opportunities.

Features

- 3.9 star energy efficiency
- High maximum heat output of 6.6 kW
- Subtle mesh heat shield as an option
- Uses the coaxial direct vent flue system, sealed from the room
- Capable to be Wi-Fi enabled (with the additional Wi-Fi Retrofit Kit)
- Available in LPG and Natural Gas
- Includes 'simple-to-use' infrared remote control

Dimensions



*See Novo Freestanding Installation Guide for details on compatible furniture materials.



Novo Inbuilt

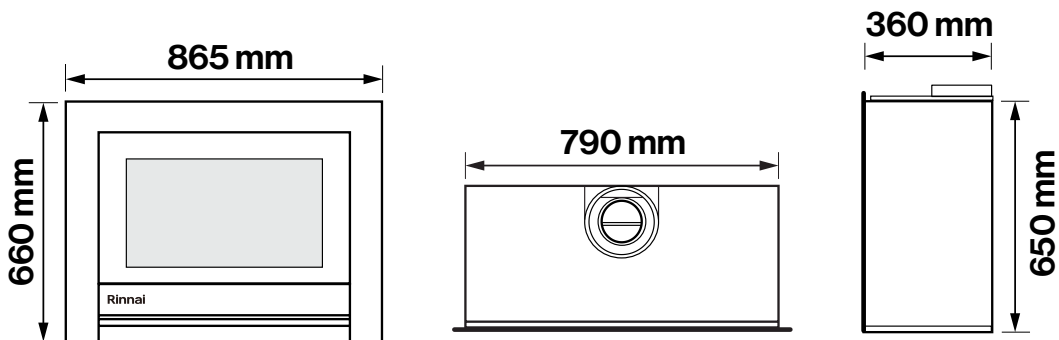
Inspired by the much-loved Rinnai Neo, the Novo is a stylish and versatile gas fire that is perfect for most homes. The modernised aesthetic, and the replacement of the glass heat shield with the option of a barely visible mesh will ensure the Novo will be another firm favourite Rinnai gas fire.

Features

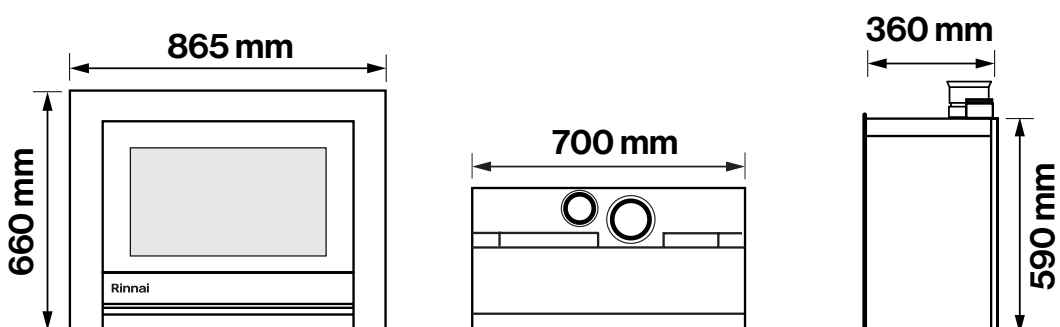
- 3.9 star energy efficiency
- High maximum heat output of 6.6 kW
- Premium Classic Fascia available for villa-style living spaces
- Subtle mesh heat shield as an option
- Direct vent, room-sealed flue system
- Flue system options; vertical colinear flexi flue, or ridged coaxial
- Flexible install options, masonry inbuilt or into mock chimney
- Capable to be Wi-Fi enabled (with the additional Wi-Fi Retrofit Kit)
- Available in LPG and Natural Gas
- Includes 'simple-to-use' infrared remote control

Dimensions

Mock Chimney Coaxial System



Masonry Colinear System



Rinnai Novo Features Comparison

	Novo Freestander	Novo Cube	Novo Inbuilt
Install Options			
Freestanding	✓	✓	
Inbuilt mock chimney			✓
Existing masonry			✓
Accessory compatibility			
Black fascia (supplied)	✓	✓	✓
Classic fascia (optional)			✓
Burn media logset	✓	✓	✓
Mesh heat guard (optional)	✓	✓	✓
Masonry infill panel			✓
Flue system			
Freestander coaxial flue	✓	✓	
Inbuilt colinear flue			✓
Inbuilt coaxial flue			✓
Upper North Island	112	112	112
Central & Lower North Island	77	77	77
South Island	65	65	65
Gas Type	NG & LPG	NG & LPG	NG & LPG
Max Input (MJ/h)	30	30	30
Min Input (MJ/h)	14	14	14
Heat Output Max (kW)	6.6	6.6	6.6
Heat Output Min (kW)	3.0	3.0	3.0
Star rating	3.9	3.9	3.9
Speed fan	2 speed	2 speed	2 speed
Remote control	✓	✓	✓
Wi-Fi (via Wi-Fi retrofit kit)*	✓	✓	✓

* Wi-Fi is available but requires the purchase of an additional Wi-Fi accessory kit.

5 YEAR FIREBOX WARRANTY

2 YEAR TOTAL WARRANTY

View the warranty conditions prior to purchase at rinnai.co.nz/warranty

Rinnai is constantly improving its products, and as such, information and specifications are subject to change without notice. For the most up-to-date information, go to rinnai.co.nz

This document has been printed using vegetable/soy-based inks on paper from environmentally responsible sources

Rinnai.co.nz | 0800 746 624

facebook.com/rinnainz