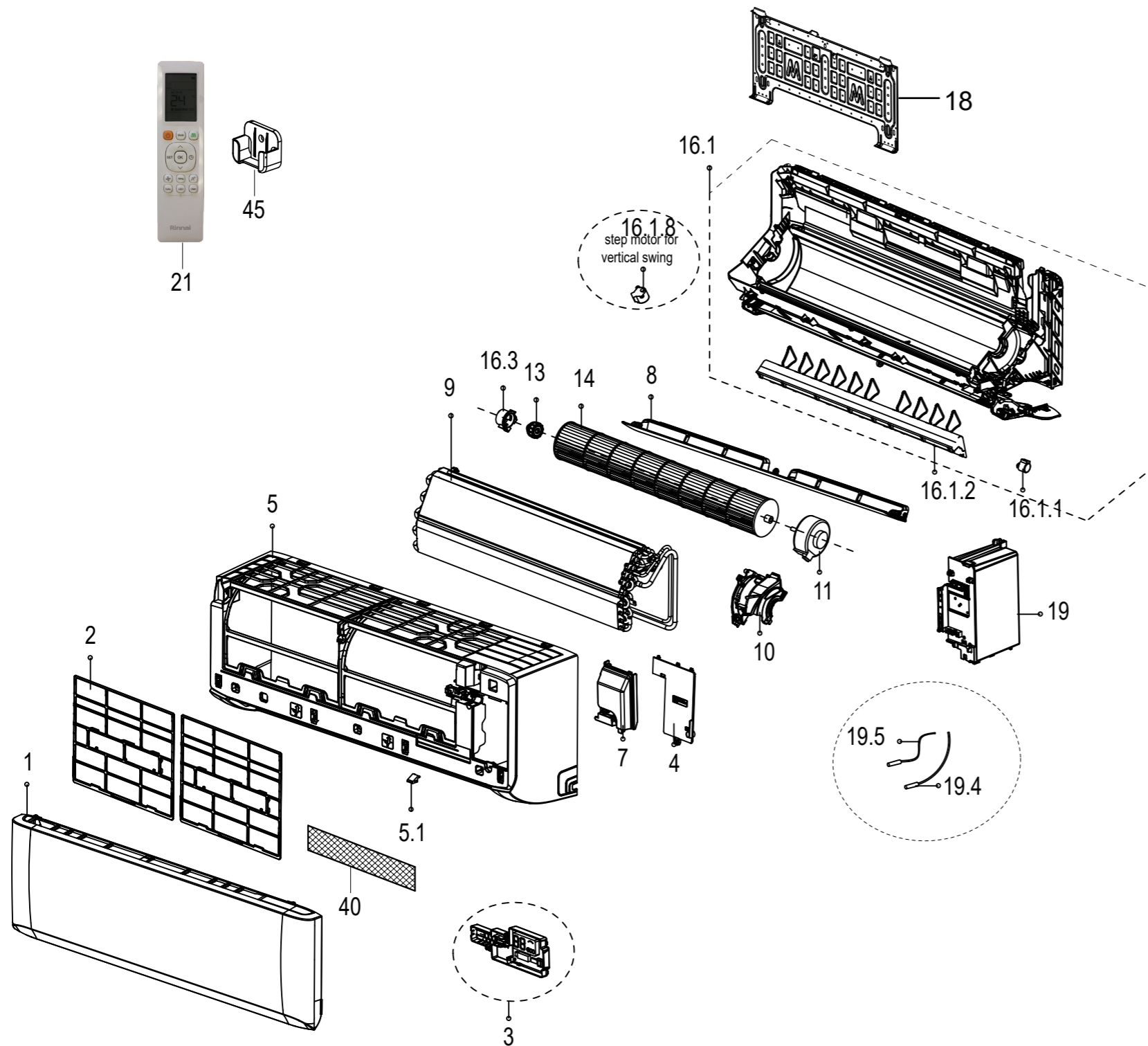
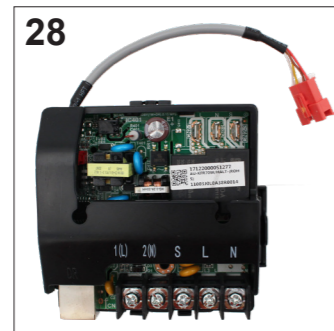
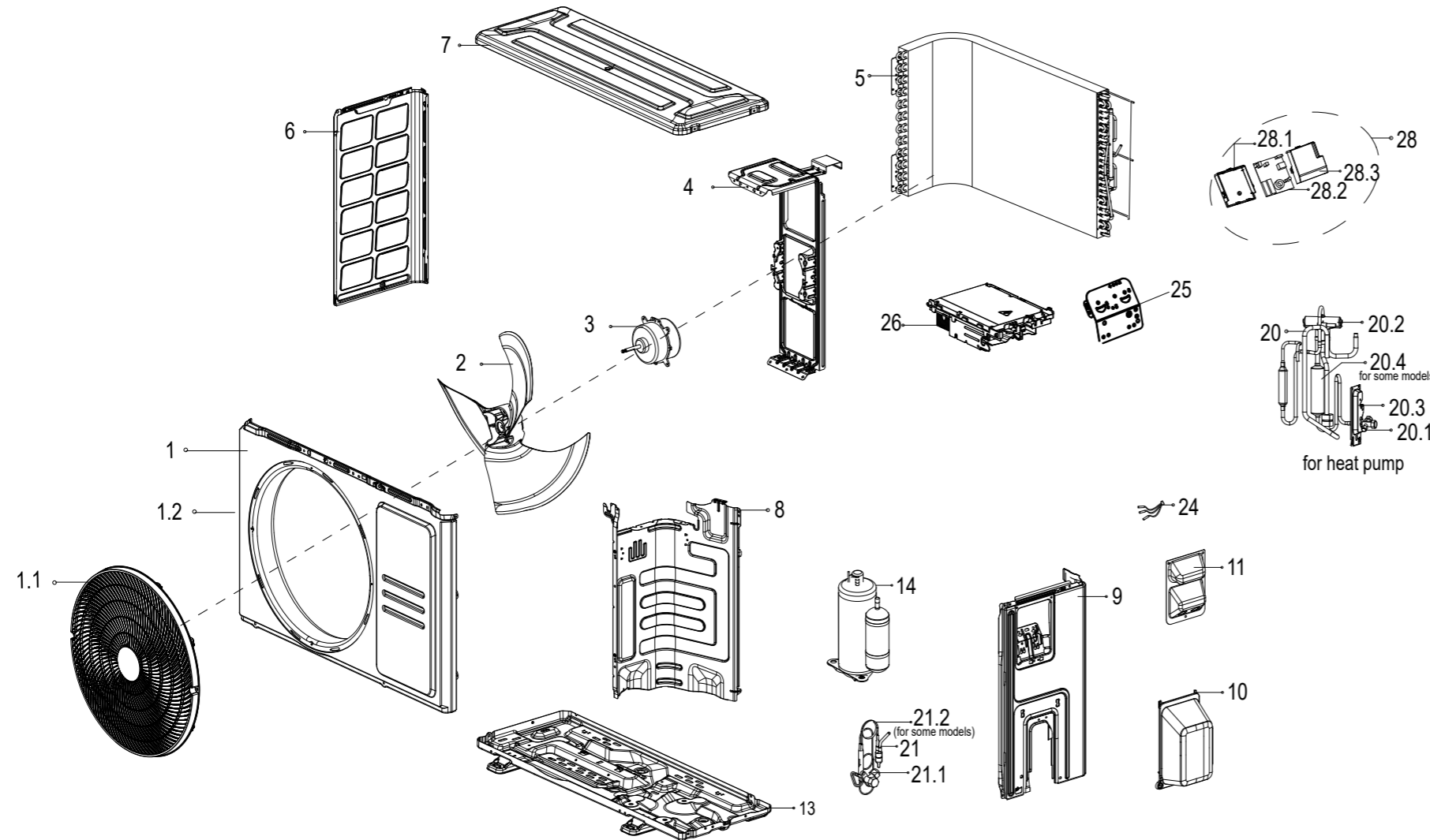


This diagram is provided to assist you to identify parts if replacement is necessary. Contact your place of purchase or the manufacturer to enquire about parts, availability and/or service.



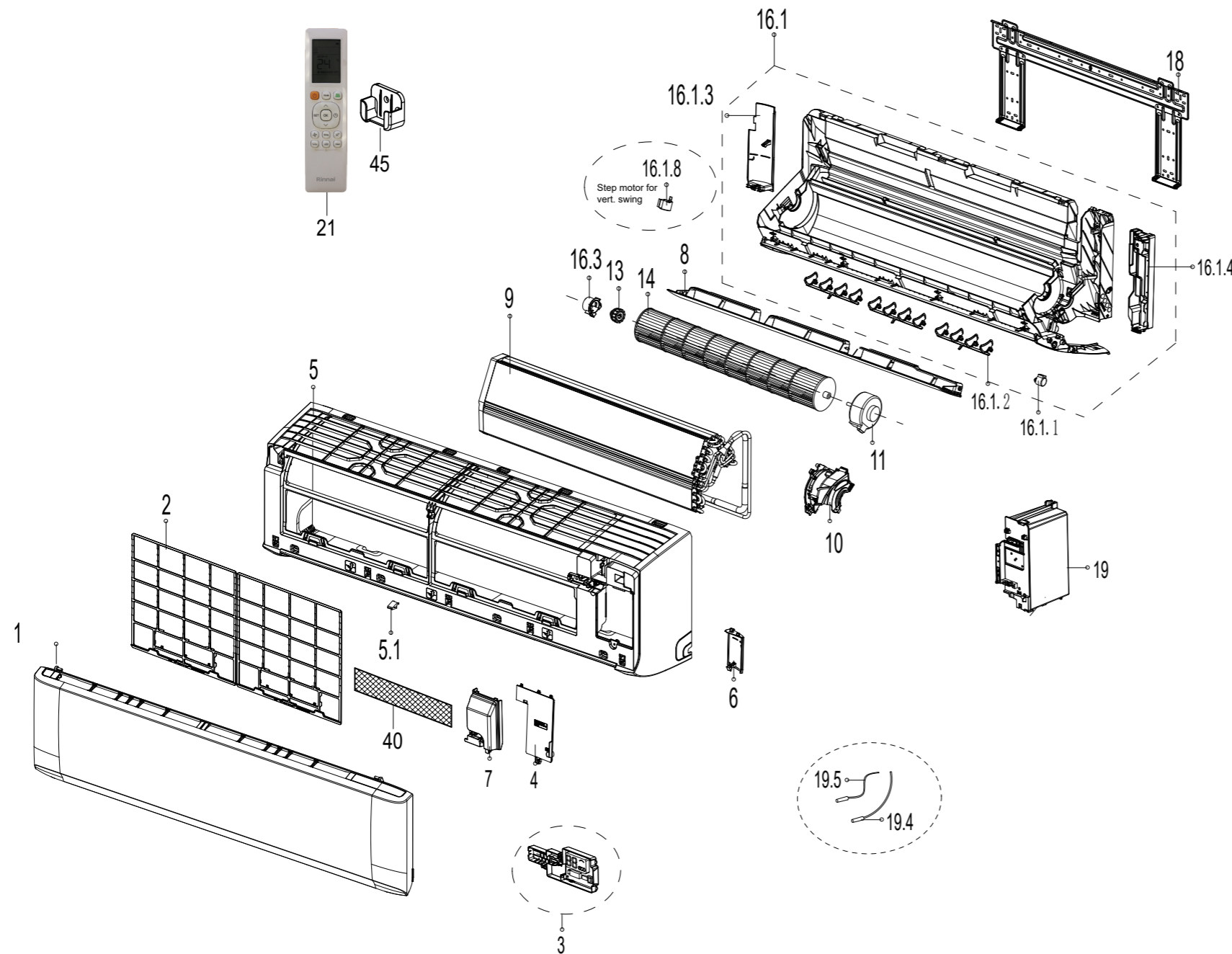
INDOOR UNIT		
Ref.	Description	Part No.
1	Front panel 2.6 & 3.5 kW	14100
2	Air filter sub-assembly 2.6 & 3.5 kW	14101
3	PCB display 2.6-6.0 kW	14102
4	Electrical cover board	-
5	Panel frame assembly 2.6 & 3.5 kW	14103
5.1	Screw cap (all models)	-
7	Wiring cover board 2.6-7.0 kW	-
8	Horizontal louvre assembly 2.6 & 3.5 kW	14104
9	Coil indoor unit 2.6 & 3.5 kW	-
10	Fan motor cover 2.6 & 3.5 kW	-
11	Fan motor indoor (DC) 2.6 & 3.5 kW	14105
13	Bearing assembly (all models)	-
14	Fan scroll 2.6 & 3.5 kW	14106
16.1	Chassis assembly 2.6 & 3.5 kW	-
16.1.1	Step motor louvre 2.6 & 3.5 kW	14107
16.1.2	Horizontal vane assembly 2.6 & 3.5 kW	-
16.1.8	Step motor for vertical swing 2.6 & 3.5 kW	-
16.3	Bearing holder (all models)	-
18	Mounting plate 2.6 & 3.5 kW	-
19	PCB indoor unit 2.6 kW	14108
19	PCB indoor unit 3.5 kW	14118
19.4	Room temperature sensor 2.6-6.0 kW	14109
19.5	Pipe temperature sensor 2.6-6.0 kW	14110
21	Remote controller	14111
40	Air freshening filter - charcoal	14112
45	Remote control wall bracket	-
-	Display unit 3.5 kW (dummy head)	ZHINRP35B
Refrigerant pipe connections		
-	Nut brass flare 1/4"	15016 (SI)
-	Nut brass flare 3/8"	15017 (SI)

This diagram is provided to assist you to identify parts if replacement is necessary. Contact your place of purchase or the manufacturer to enquire about parts, availability and/or service.



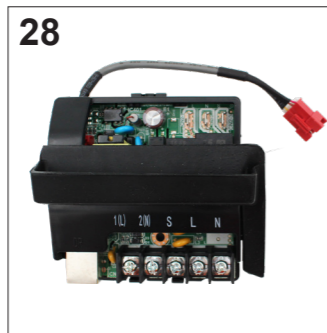
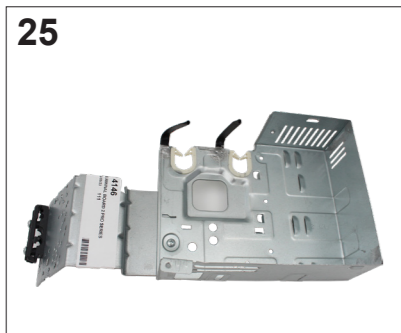
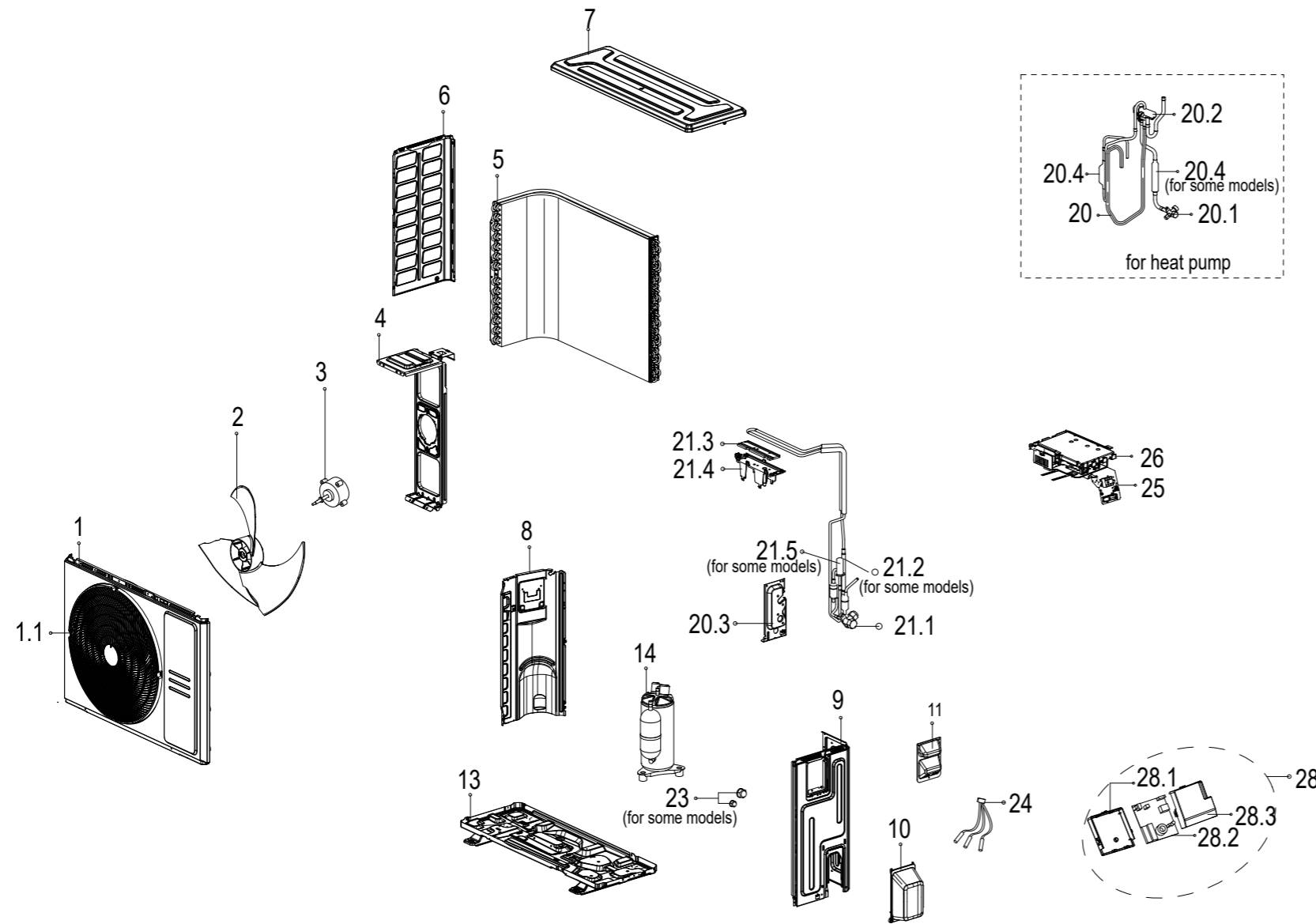
OUTDOOR UNIT		
Ref.	Description	Part No.
1	Front panel assembly 2.6 & 3.5 kW	-
1.1	Grille front all models	14113
1.2	Front panel	-
2	Fan outdoor unit 2.6 & 3.5 kW	-
3	Fan motor outdoor (DC) 2.6 & 3.5 kW	14114
4	Fan motor support bracket 2.6 & 3.5 kW	-
5	Condenser assembly 2.6 & 3.5 kW	-
6	Outdoor panel left 2.6 & 3.5 kW	-
7	Top cover assembly 2.6 & 3.5 kW	14115
8	Partition board 2.6 & 3.5 kW	-
9	Outdoor panel right 2.6 & 3.5 kW	-
10	Outdoor water deflector (all models)	-
11	Outdoor handle assembly (all models)	-
14	Compressor rotary DC 2.6 & 3.5 kW	-
20	4-way valve assembly 2.6 & 3.5 kW	-
20.1	Gas valve 2.6 & 3.5 kW	-
20.2	4-way valve 2.6 & 3.5 kW	-
20.3	Valve plate 2.6 & 3.5 kW	-
20.4	Muffler sub-assembly 2.6 & 3.5 kW	-
21	Liquid valve assembly	-
24	Sensor combination 2.6 & 3.5 kW	14116
25	Terminal board bracket HON 2.6-3.5 kW	14145
26	PCB assembly outdoor 2.6 & 3.5 kW	14117
28	Terminal board HON 2.6-3.5 kW	14143
28.1	Electronic installing box (all models)	-
28.2	Inverter control board sub-assy. (all models)	-
28.3	Electronic control box cover 2.6 & 3.5 kW	-
Refrigeration pipe connections		
-	Nut brass flare ¼	15016
-	Nut brass flare ⅜	15017

This diagram is provided to assist you to identify parts if replacement is necessary. Contact your place of purchase or the manufacturer to enquire about parts, availability and/or service.



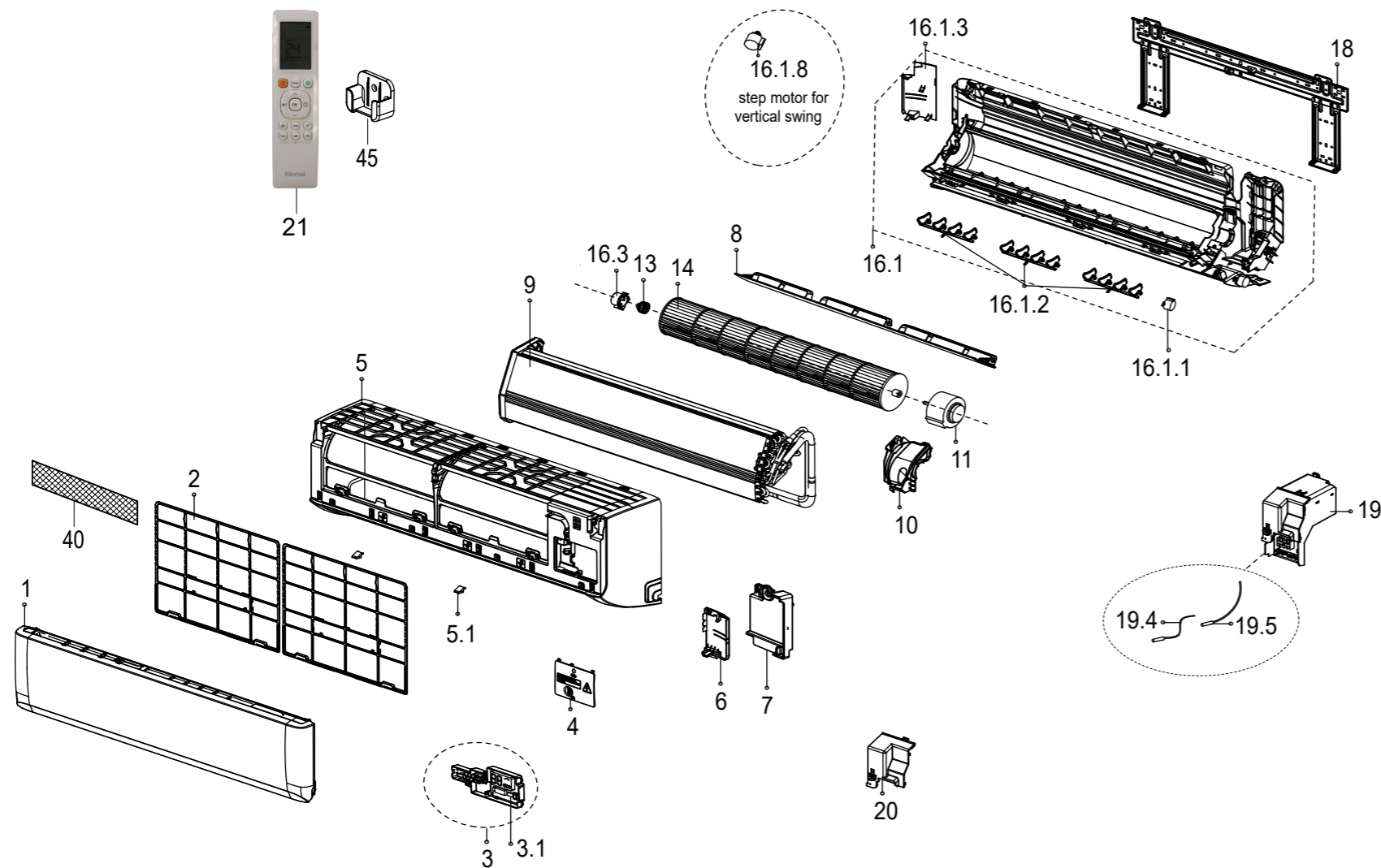
INDOOR UNIT		
Ref.	Description	Part No.
1	Front panel 5.0 & 6.0 kW	14119
2	Air filter sub-assembly 5.0 & 6.0 kW	14120
3	PCB display 2.6-7.0 kW	14102
4	Electrical cover board 2.6-6.0 kW	-
5	Panel frame assembly 5.0 & 6.0 kW	14121
5.1	Screw cap (all models)	-
7	Wiring cover board 2.6-6.0 kW	-
8	Horizontal louvre assembly 5.0 & 6.0 kW	14122
9	Coil indoor unit 5.0 & 6.0 kW	-
10	Fan motor cover 5.0 & 6.0 kW	-
11	Fan motor indoor (DC) 5.0 & 6.0 kW	14123
13	Bearing assembly (all models)	-
14	Fan scroll 5.0 & 6.0 kW	14124
16.1	Chassis assembly 5.0 & 6.0 kW	-
16.1.1	Step motor louvre 5.0 & 6.0 kW	14125
16.1.2	Horizontal vane assembly 5.0 & 6.0 kW	-
16.1.3	Front cover of chassis (left) 5.0 & 6.0 kW	-
16.1.4	Electrical control box holder 5.0 & 6.0 kW	-
16.1.8	Step motor for vertical swing 5.0 & 6.0 kW	-
16.3	Bearing holder (all models)	-
18	Mounting plate 5.0 & 6.0 kW	-
19	PCB indoor unit 5.0 & 6.0 kW	14126
19.4	Room temperature sensor 2.6-6.0 kW	14109
19.5	Pipe temperature sensor 2.6-6.0 kW	14110
21	Remote controller	14111
40	Air freshening filter - charcoal	14112
45	Remote control wall bracket	-
-	Display unit 6 kW (dummy head)	ZHINRP60B
Refrigerant pipe connections		
-	Nut brass flare ¼	15016
-	Nut brass flare ½	15018

This diagram is provided to assist you to identify parts if replacement is necessary. Contact your place of purchase or the manufacturer to enquire about parts, availability and/or service.



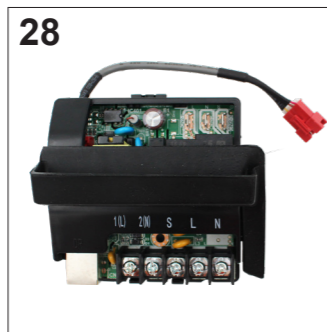
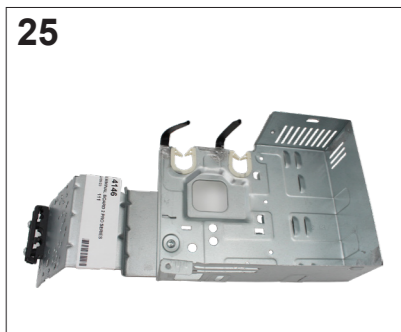
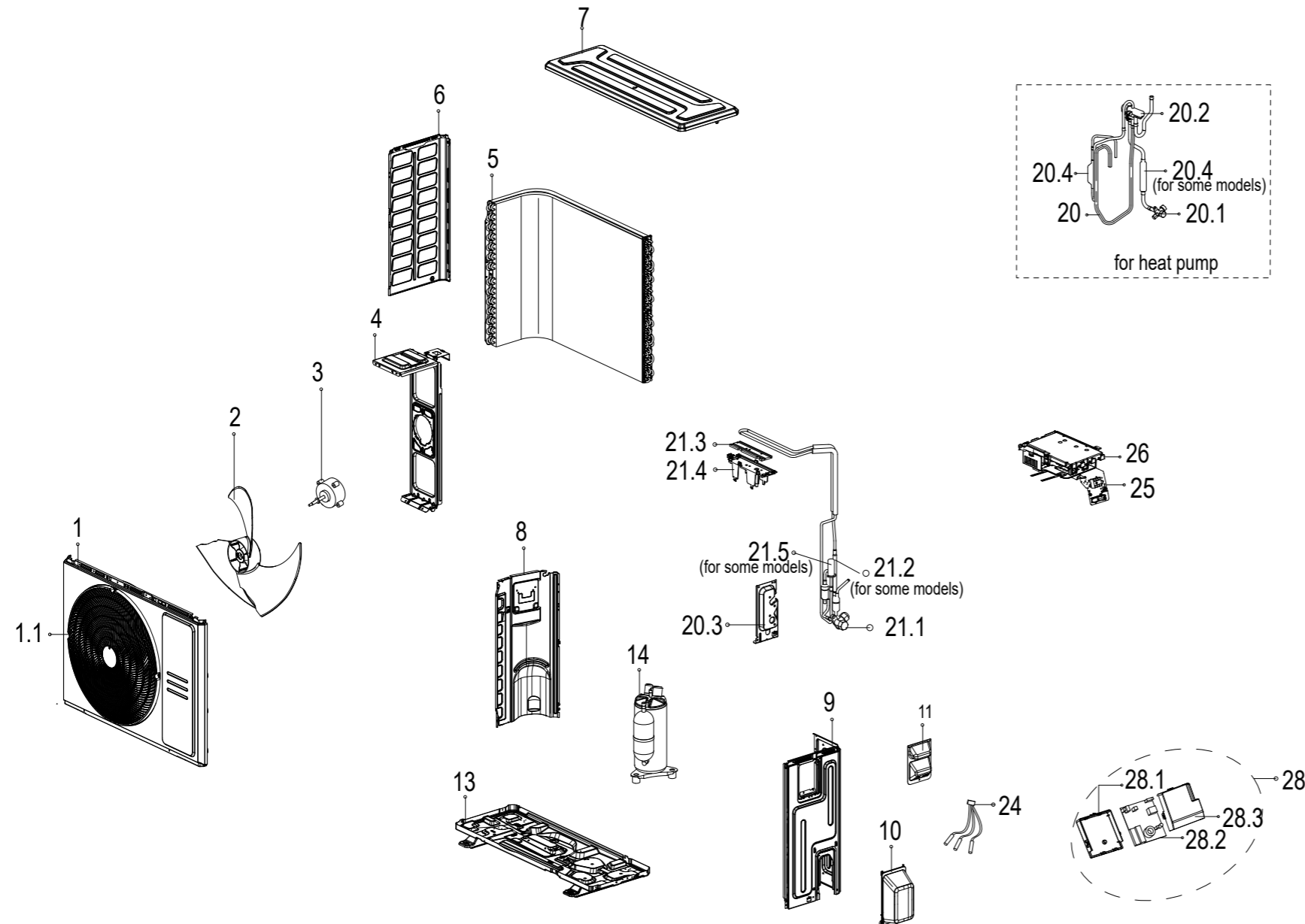
OUTDOOR UNIT		
Ref.	Description	Part No.
1	Front panel assembly 5.0-8.0 kW	-
1.1	Grille front all models	14113
2	Fan outdoor unit 5.0-8.0 kW	
3	Fan motor outdoor (DC) 5.0-8.0 kW	14127
4	Fan motor support bracket 5.0-8.0 kW	-
5	Condenser assembly 5.0 & 6.0 kW	-
6	Outdoor panel left 5.0-8.0 kW	-
7	Top cover assembly 5.0-8.0 kW	14128
8	Partition board 5.0-8.0 kW	-
9	Outdoor panel right 5.0-8.0 kW	-
10	Outdoor water deflector (all models)	-
11	Outdoor handle assembly (all models)	-
14	Compressor rotary (DC) 5.0 & 6.0 kW	-
20	4-way valve assembly 5.0-8.0 kW	-
20.1	Gas valve 5.0 & 6.0 kW	-
20.2	4-way valve 5.0 & 6.0 kW	-
20.3	Valve plate 5.0-8.0 kW	-
20.4	Muffler sub-assembly 5.0 & 6.0 kW	-
21	Liquid valve assembly	-
24	Sensor combination 5.0-8.0 kW	14129
25	Terminal board bracket HON 5.0-8.0 kW	14146
26	PCB assembly outdoor 5.0 & 6.0 kW	14130
28	Terminal board HON 5.0-8.0 kW	14144
28.1	Electronic installing box (all models)	-
28.2	Inverter control board sub-assy. (all models)	-
28.3	Electronic control box cover 5.0-8.0 kW	-
Refrigeration pipe connections		
-	Nut brass flare ¼	15016
-	Nut brass flare ½	15018

This diagram is provided to assist you to identify parts if replacement is necessary. Contact your place of purchase or the manufacturer to enquire about parts, availability and/or service.



INDOOR UNIT		
Ref.	Description	Part No.
1	Front panel 7.0 & 8.0 kW	14131
2	Air filter sub-assembly 7.0 & 8.0 kW	14132
3	PCB display 7.0 & 8.0 kW	14133
4	Electrical cover board 7.0 & 8.0 kW	-
5	Panel frame assembly 7.0 & 8.0 kW	14134
5.1	Screw cap (all models)	-
7	Wiring cover board 7.0 & 8.0 kW	-
8	Horizontal louvre assembly 7.0 & 8.0 kW	14135
9	Coil indoor unit 7.0 & 8.0 kW	-
10	Fan motor cover 7.0 & 8.0 kW	-
11	Fan motor indoor (DC) 7.0 & 8.0 kW	14136
13	Bearing assembly (all models)	-
14	Fan scroll 7.0 & 8.0 kW	14137
16.1	Chassis assembly 7.0 & 8.0 kW	-
16.1.1	Step motor - louvre 7.0 & 8.0 kW	14138
16.1.2	Horizontal vane assembly 7.0 & 8.0 kW	-
16.1.3	Front cover of chassis (left) 7.0 & 8.0 kW	-
16.1.8	Step motor for vertical swing 7.0 & 8.0 kW	-
16.3	Bearing holder (all models)	-
18	Mounting plate 7.0 & 8.0 kW	-
19	PCB indoor unit 7.0 & 8.0 kW	14139
19.4	Room temperature sensor 7.0 & 8.0 kW	14140
19.5	Pipe temperature sensor 7.0 & 8.0 kW	14141
21	Remote controller	14111
40	Air freshening filter - charcoal	14112
45	Remote control wall bracket	-
Refrigerant pipe connections		
-	Nut brass flare $\frac{3}{8}$ "	15017 (SI)
-	Nut brass flare $\frac{5}{8}$ "	15019 (SI)

This diagram is provided to assist you to identify parts if replacement is necessary. Contact your place of purchase or the manufacturer to enquire about parts, availability and/or service.



OUTDOOR UNIT		
Ref.	Description	Part No.
1	Front panel assembly 5.0-8.0 kW	-
1.1	Grille front all models	14113
2	Fan outdoor unit 5.0-8.0 kW	
3	Fan motor outdoor (DC) 5.0-8.0 kW	14127
4	Fan motor outdoor support 5.0-8.0 kW	-
5	Coil outdoor unit 7.0 & 8.0 kW	-
6	Left support 5.0-8.0 kW	-
7	Top cover assembly 5.0-8.0 kW	14128
8	Partition board 5.0-8.0 kW	-
9	Outdoor panel right 5.0-8.0 kW	-
10	Outdoor water deflector (all models)	-
11	Outdoor handle assembly (all models)	-
14	Compressor rotary (DC) 7.0 & 8.0 kW	-
20	4-way valve assembly 5.0-8.0 kW	-
20.1	Gas valve 7.0 & 8.0 kW	-
20.2	4-way valve 7.0 & 8.0 kW	-
20.3	Valve plate 5.0-8.0 kW	-
20.4	Muffler sub-assembly 7.0 & 8.0 kW	-
21	Liquid valve assembly	-
24	Sensor combination 5.0-8.0 kW	14129
25	Terminal board bracket HON 5.0-8.0 kW	14146
26	PCB assembly outdoor 7.0 & 8.0 kW	14142
28	Terminal board HON 5.0-8.0 kW	14144
28.1	Electronic installing box (all models)	-
28.2	Inverter control board sub-assy. (all models)	-
28.3	Electronic control box cover 5.0-8.0 kW	-
Refrigeration pipe connections		
-	Nut brass flare 3/8"	15017
-	Nut brass flare 1/2"	15019