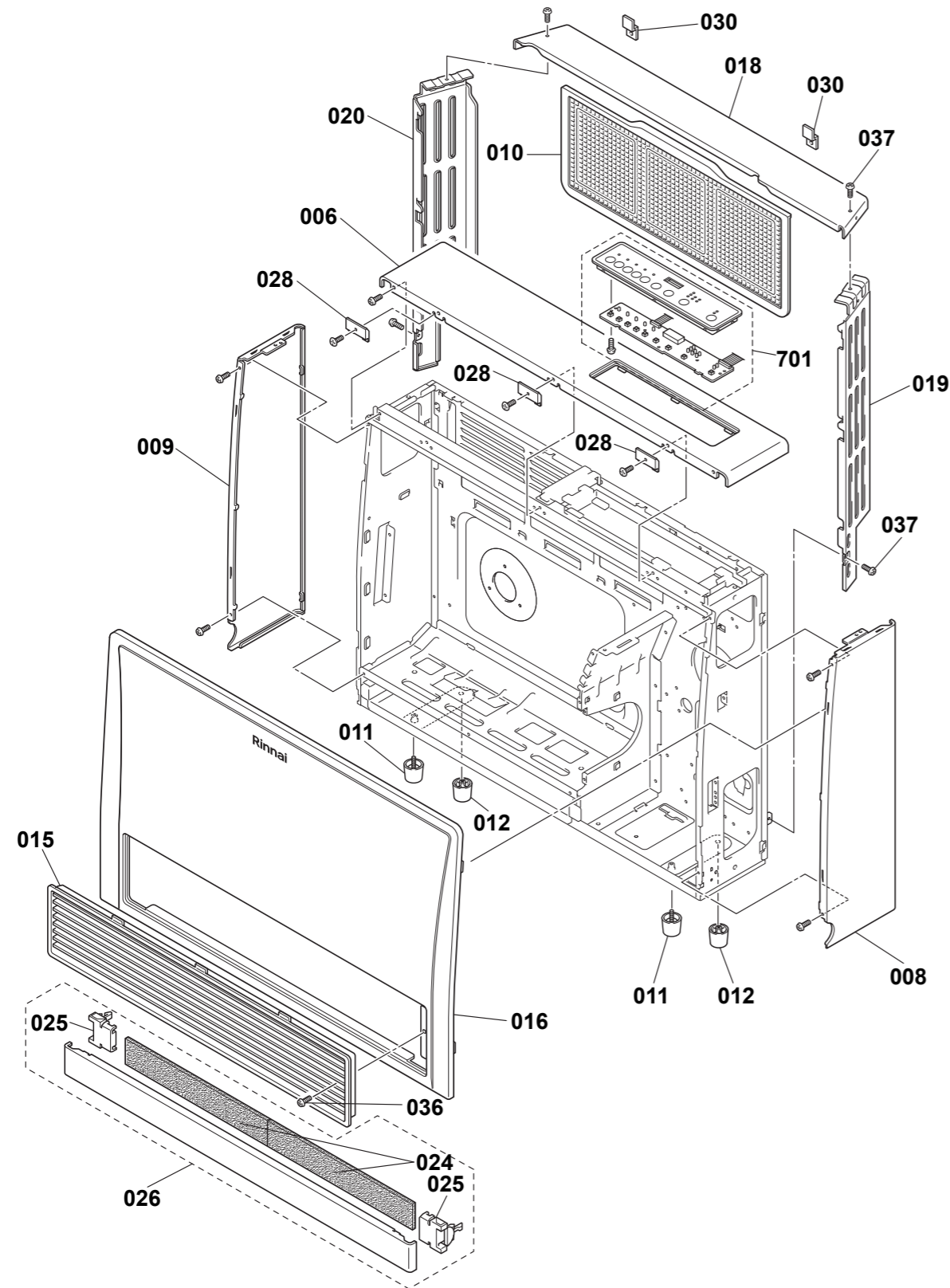
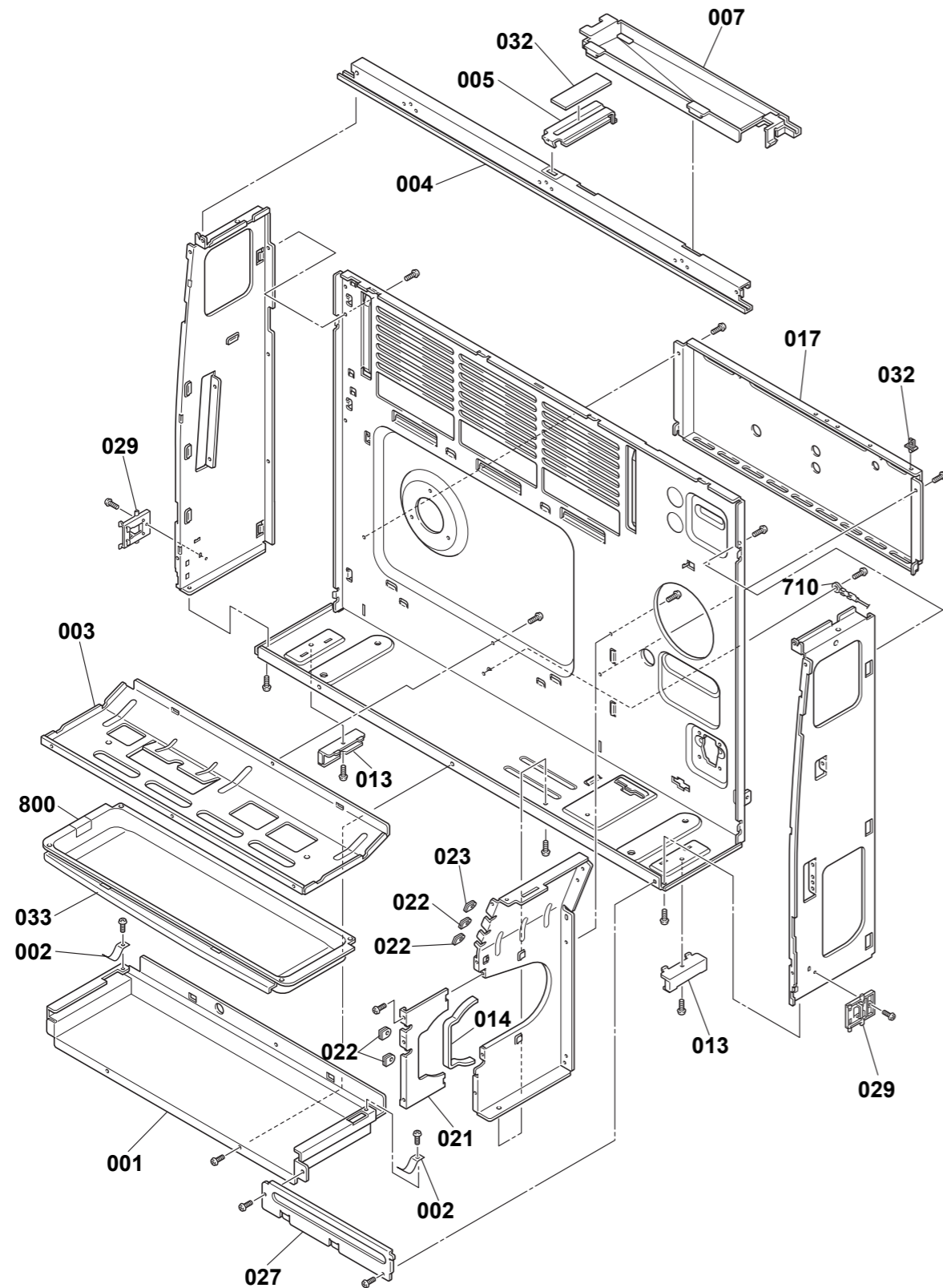


This diagram is provided to assist you to identify parts if replacement is necessary. Contact your place of purchase or the manufacturer to enquire about parts, availability and/or service.



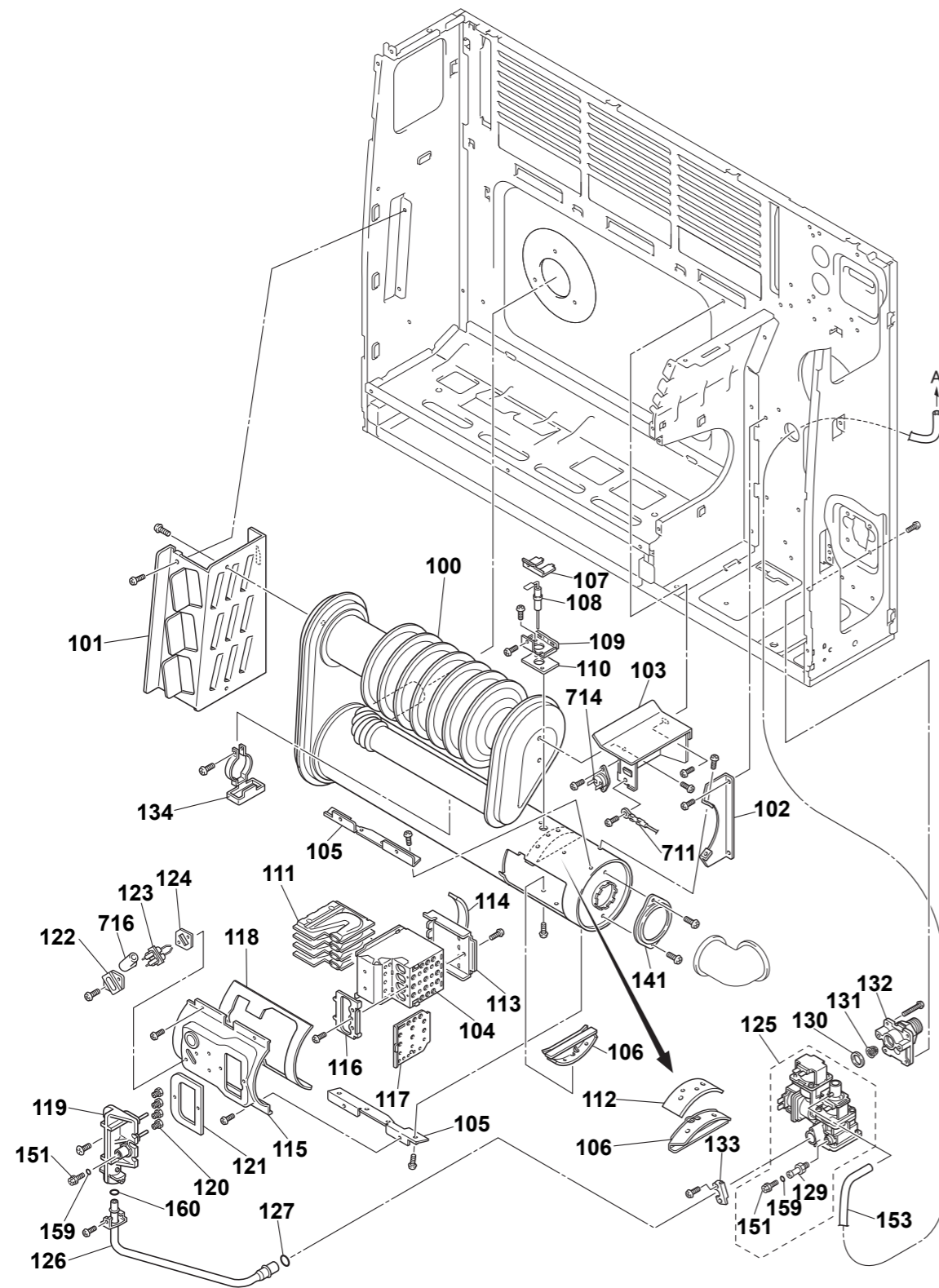
Ref.	Description	Qty	Part No.
006	Top panel	1	5485
008	Side panel right hand side	1	5488
009	Side panel left hand side	1	5489
010	Air filter assembly	1	3026
011	Front leg	2	3403
012	Back leg	2	3405
015	Louvre assembly	1	40502
016	Front panel	1	5491
018	Back spacer top panel	1	40503
019	Back spacer right hand side	1	40504
020	Back spacer left hand side	1	40505
024	Heat insulator	2	5498
025	Latch front cover	2	5499
026	Lower front cover assembly	1	5501
028	Front panel bracket	3	5504
030	Securing brackets	2	5837
036	Louvre panel screw	1	40469
037	Screw	1	9146
701	Control panel assembly	1	40488

This diagram is provided to assist you to identify parts if replacement is necessary. Contact your place of purchase or the manufacturer to enquire about parts, availability and/or service.



Ref.	Description	Qty	Part No.
001	Bottom plate support	1	40522
002	Humidifier tray fixing plate	2	5481
003	Base partition panel	1	40500
004	Top panel support horizontal	1	5483
005	Top panel support vertical	1	5484
007	Control panel support	1	40501
013	Floor fixing bracket	2	3451
017	Heat shield panel rear	1	5492
021	Warm air seal panel	1	5432
022	Cord packing B	4	5496
023	Cord packing A	1	5497
027	Internal guard panel	1	5503
029	Latch bracket	2	5505
032	Gasket 2	1	40506
033	Humidifier tray	1	3111
410	Wire clip	2	5541
710	Thermostat	1	40496
800	Water line label	1	5556

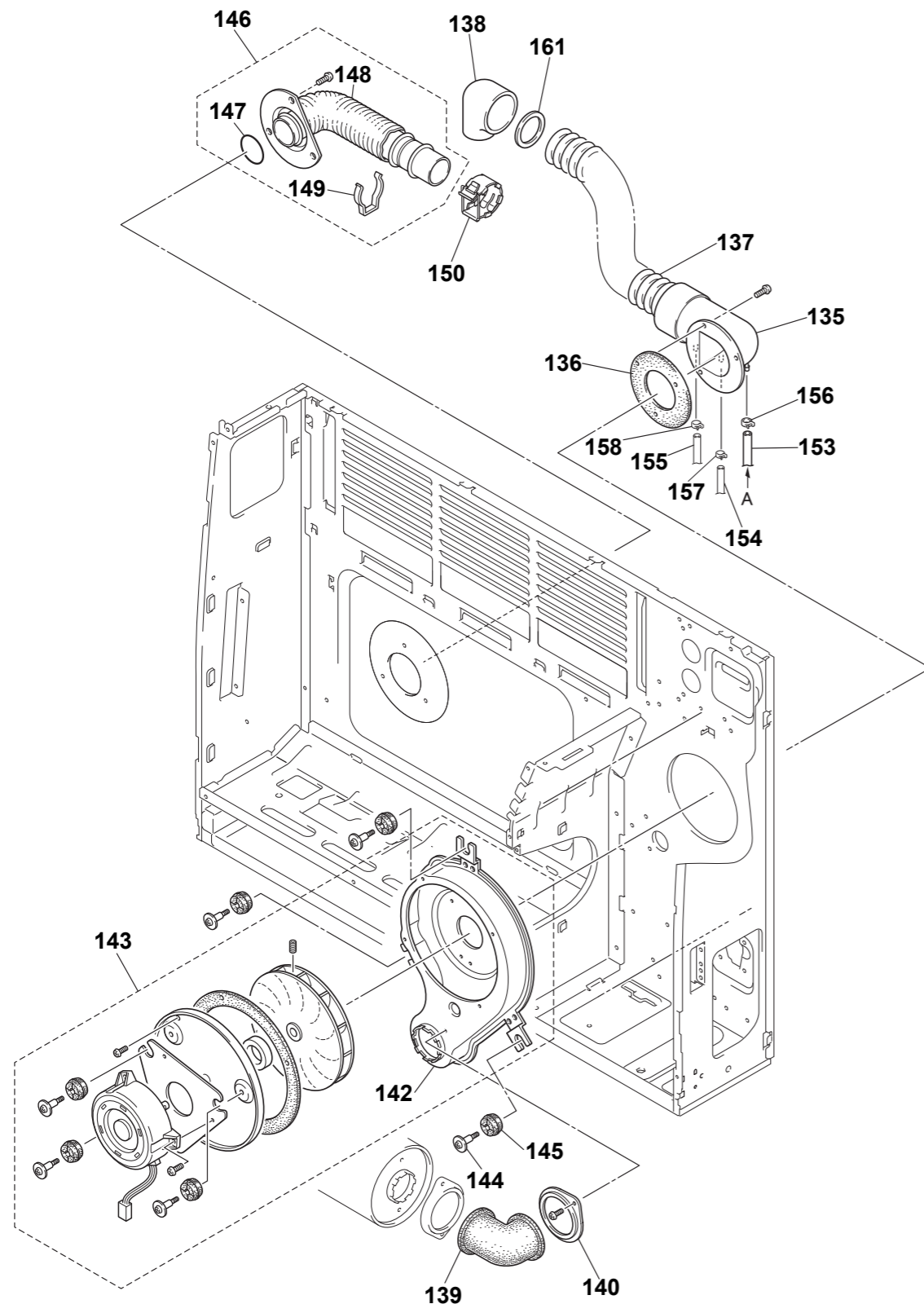
This diagram is provided to assist you to identify parts if replacement is necessary. Contact your place of purchase or the manufacturer to enquire about parts, availability and/or service.



Ref.	Description	Qty.	Part No.
100	Heat exchanger assembly	1	5506
101	HEX mounting plate	1	5507
102	Combustion chamber bracket	1	5410
103	OHS mounting plate	1	5508
104	Burner box	1	4370
105	Flange board	2	5414
106	Seal plate assembly	2	5413
107	Flame rod retainer	1	5409
108	Flame rod	1	4299
109	Flame rod bracket	1	5400
110	Flame rod packing	1	4230
111	Burner assembly	1	3091
112	Seal plate packing	1	5412
113	Burner box support assembly	1	5511
114	Burner box packing	1	4231
115	Burner box fitting plate assembly	1	5481
116	Damper primary air guide	1	5512
117	Secondary air damper LPG	1	4267
117	Secondary air damper NG	1	4238
118	Fitting plate packing	1	5430
119	Manifold	1	5520
120	Injector LPG	4	5521
120	Injector NG	4	5420
121	Manifold packing	1	5428
122	Electrode retainer plate	1	5843
123	Electrode	1	5844
124	Electrode packing	1	5845
125	Gas control assembly	1	40051
126	Main gas tube assembly	1	5522
127	O-ring	1	6786
129	Pressure point screw	1	5657
130	Packing	1	1732
131	Gas filter	1	40079
132	Gas inlet	1	4360

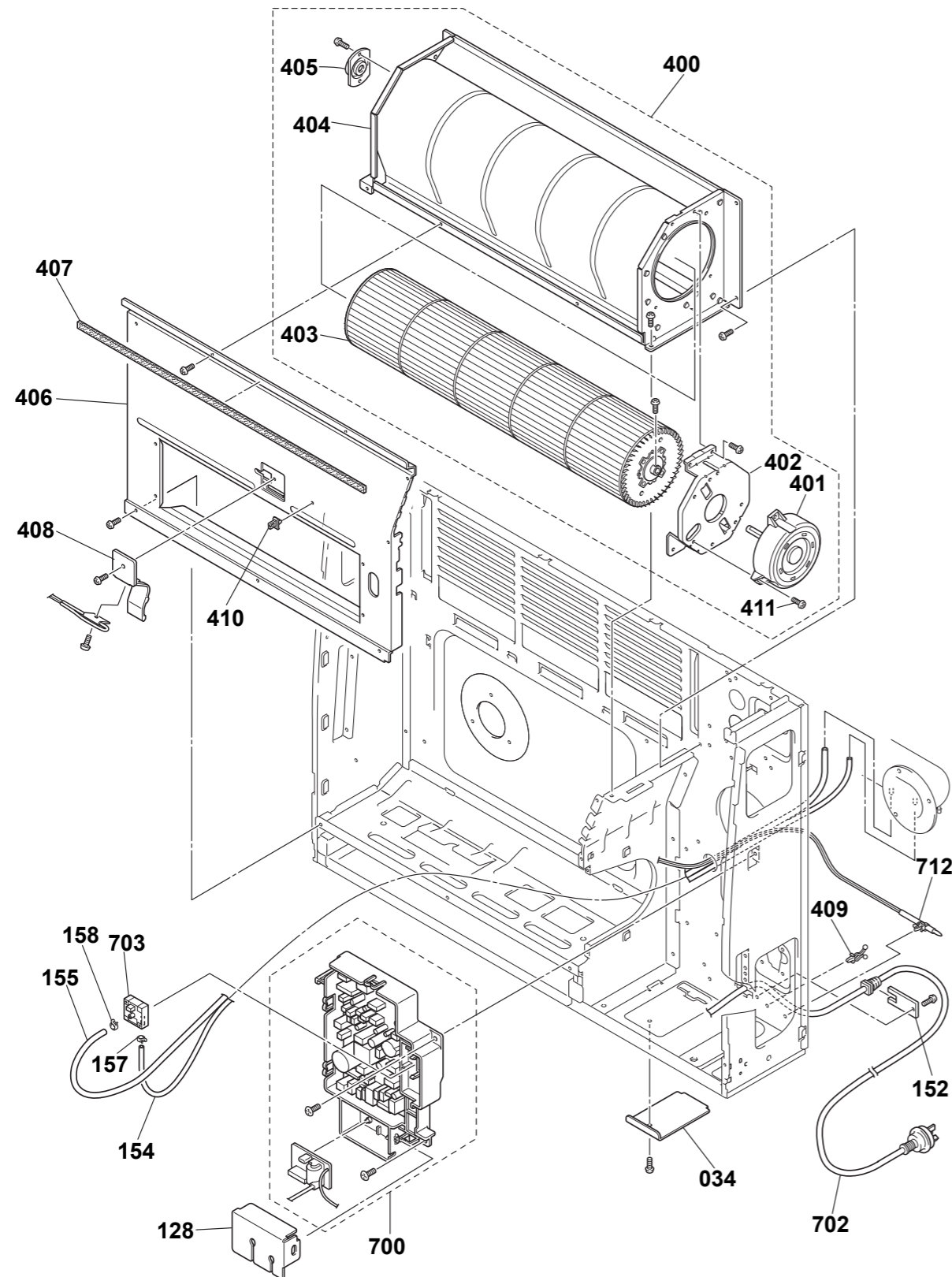
Ref.	Description	Qty.	Part No.
133	Connecting tube retainer	1	5438
134	Drain pain assembly	1	5525
141	Connecting tube fixer	1	5448
151	Pressure point seal screw	2	40338
153	Back pressure tube	1	5529
159	O-ring S4	2	40224
160	O-ring P8	1	1949
711	Thermostat	1	40497
714	Overheat switch	1	4385
716	Electrode sleeve	1	7564

This diagram is provided to assist you to identify parts if replacement is necessary. Contact your place of purchase or the manufacturer to enquire about parts, availability and/or service.



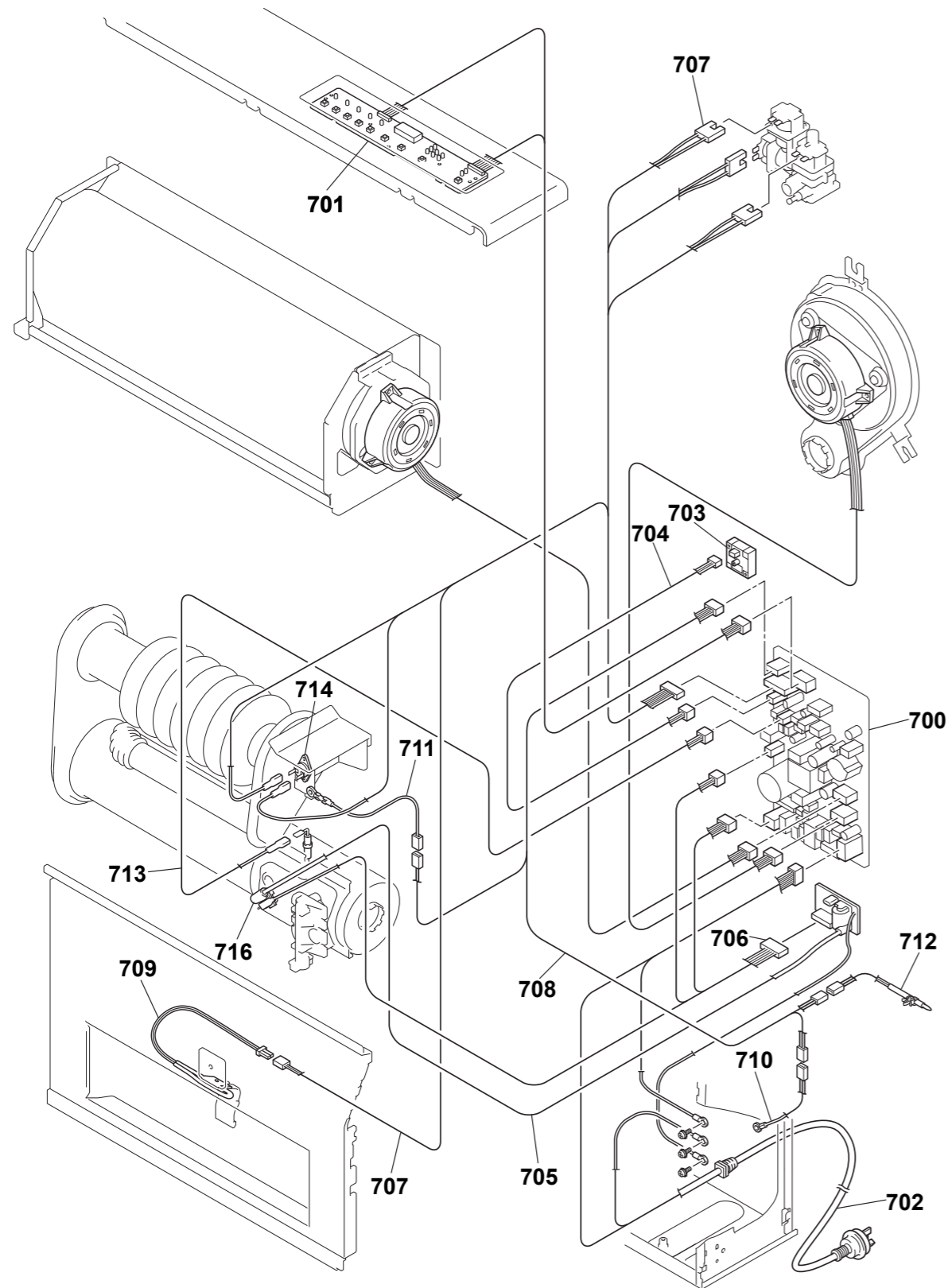
Ref.	Description	Qty.	Part No.
135	Air inlet	1	40509
136	Air intake packing	1	4053
137	Air intake flexible hose	1	4327
138	Air intake elbow	1	4319
139	Combustion chamber connection	1	3102
140	Connecting tube fixer	1	3103
142	Combustion fan casing assembly	1	40510
143	Combustion fan assembly	1	40511
144	Screw for motor	1	10291
145	Cushion rubber	3	4364
146	Sliding flue tube assembly	1	5527
147	O-ring	1	4037
148	Cover (protective sock)	1	4176
149	Stainless steel sheath clamp	1	4171
150	Flue lock clamp	1	3455
153	Back pressure tube	1	5529
154	Pressure gauge tube A	1	40474
155	Pressure gauge tube B	1	40473
156	Hose band J	1	10495
157	Hose band N	2	40480
158	Hose band O	2	10465
161	Air intake baffle ring LPG	1	40512
161	Air intake baffle ring NG	1	40513

This diagram is provided to assist you to identify parts if replacement is necessary. Contact your place of purchase or the manufacturer to enquire about parts, availability and/or service.



Ref.	Description	Qty.	Part No.
034	Transformer lid	1	40507
128	Igniter cover	1	40508
152	Power cord retainer	1	5390
154	Pressure gauge tube A	1	40474
155	Pressure gauge tube B	1	40473
157	Hose band N	2	40480
158	Hose band O	2	40465
400	Convection fan assembly	1	40514
401	Convection fan motor	1	40483
402	Motor fixing plate	1	5532
403	Convection fan blade	1	5533
404	Convection fan casing assembly	1	5534
405	Bearing	1	2101
406	Heat shield assembly rear	1	5535
407	Heat shield seal	1	5537
408	Thermal fuse fixing plate	1	5460
409	Cable clip	1	5391
410	Wire clip	2	5541
411	Truss FT screw	1	40486
700	PCB assembly	1	40515
702	Power supply cord	1	5546
703	Pressure sensor	1	40490
712	Room thermistor assembly	1	40498

This diagram is provided to assist you to identify parts if replacement is necessary. Contact your place of purchase or the manufacturer to enquire about parts, availability and/or service.



Ref.	Description	Qty.	Part No.
700	PCB assembly	1	40515
701	Control panel assembly	1	40488
702	Power supply cord	1	5546
703	Pressure sensor	1	40490
704	Pressure sensor harness	1	40491
705	High tension cord	1	5467
706	Igniter harness	1	40516
707	POVS harness	1	40517
708	Thermistor relay harness	1	40518
709	Thermal fuse harness	1	40495
710	Thermostat	1	40496
711	Overheat thermostat	1	40497
712	Room thermistor assembly	1	40498
713	Flame rod harness	1	40519
714	Overheat switch	1	4385
716	Electrode sleeve	1	7564