

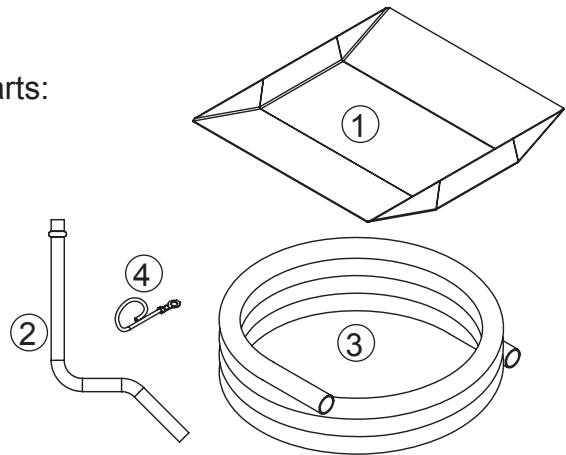
RINNAI RHFE 750/752

CONDENSATION TRAY INSTRUCTIONS

This instruction sheet is to be used for setting up the condensation tray when using any fluing method that incorporates a vertical upwards section that requires draining into the appliance, rather than outside the house

Included in your Rinnai Flue Kit are the following parts:

1. CONDENSATION TRAY
2. CONDENSATION TUBE
3. CONDENSATION HOSE
4. WIRE TIE



INSTALLATION

Place the condensation tray into the lower air guide. Make sure that the tray is located below the black rubber grommet that is protruding through the back panel of the heater. NOTE: The condensation tray has a long and short end, the short end is to go towards the rear of the heater.

Remove the upper screw holding the combustion fan cover to the back panel and attach the wire tie using the same screw.

Fit the hose onto the tube (the tube end with the swage is to be inserted into the hose), and push the hose at least 10mm past the swage.

Fit the aluminium tube through the rubber grommet in the back panel and hold the tube in place using the wire tie. It is important the tube is running as vertical as possible to ensure that the condensation will run into the tray correctly.

Fit the other end of the hose to the condensation trap. This can be done either before fully inserting the heater into the installation cavity or may be possible to install after the heater is fixed in place, through the flue access panel, depending on the type of installation.

Ensure that the tube is situated above the condensation tray and re check when the heater is installed into the heater cavity to make sure that it did not move when the heater was being rolled back into place

