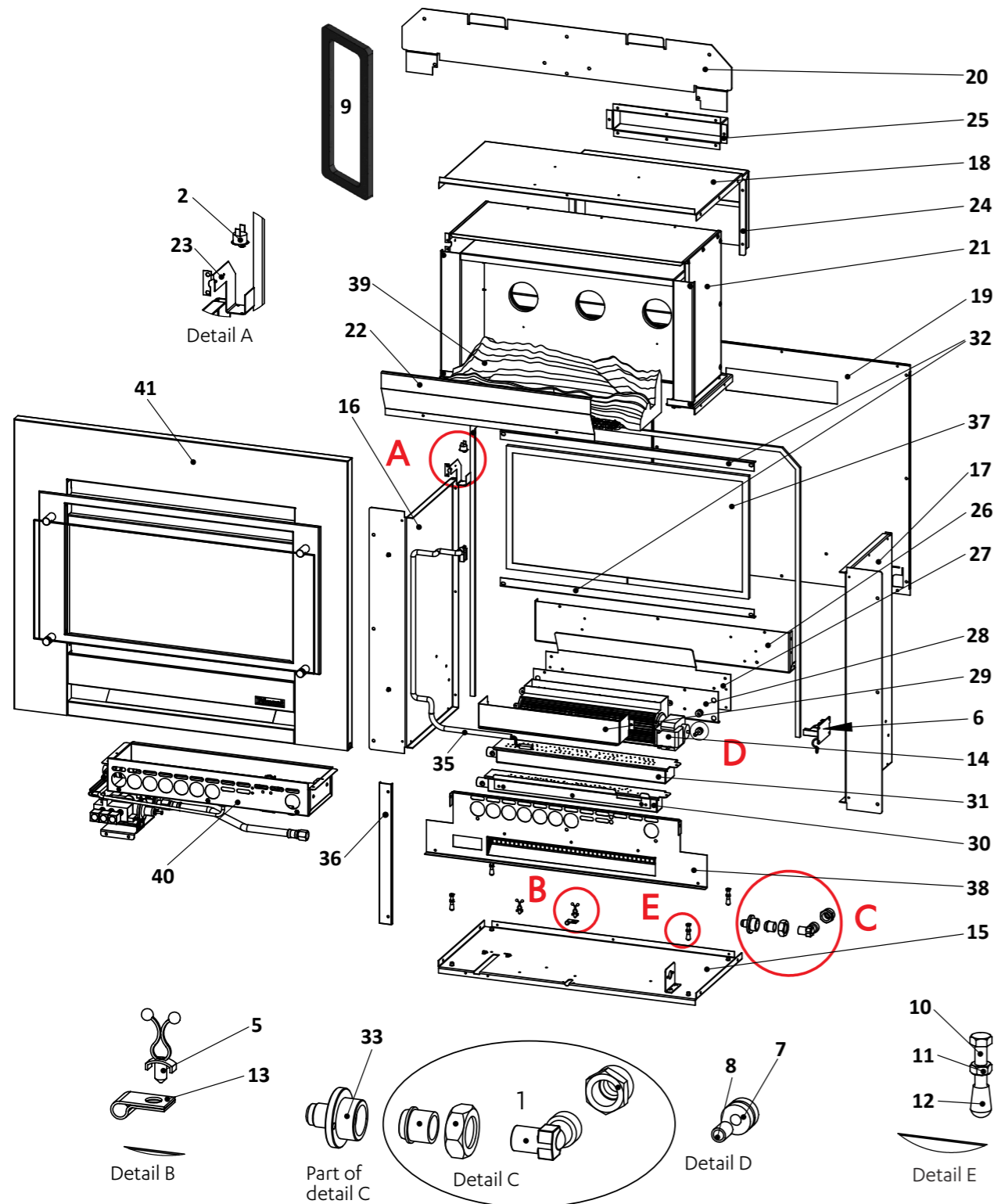
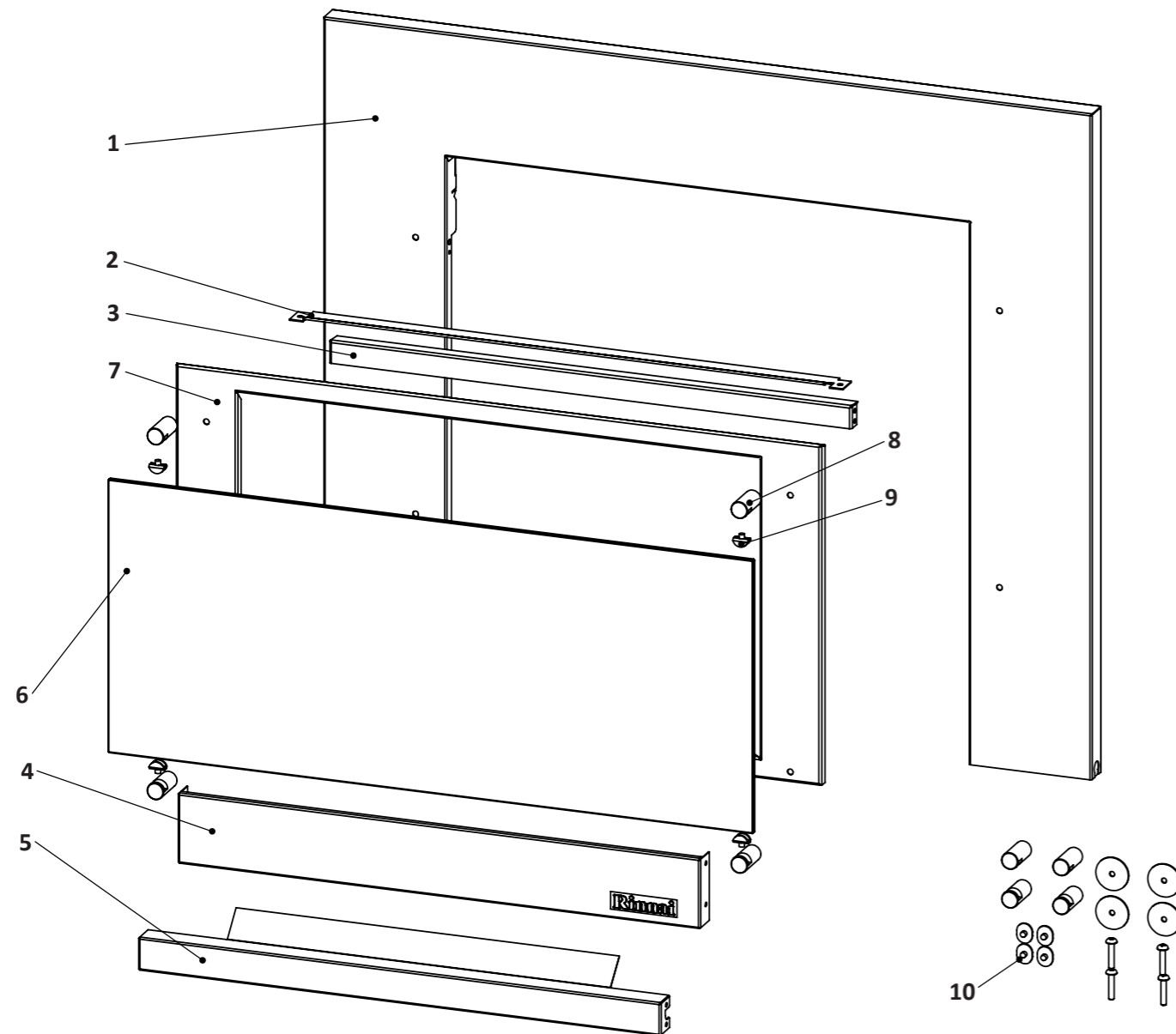


This diagram is provided to assist you to identify parts if replacement is necessary. Contact your place of purchase or the manufacturer to enquire about parts, availability and/or service.



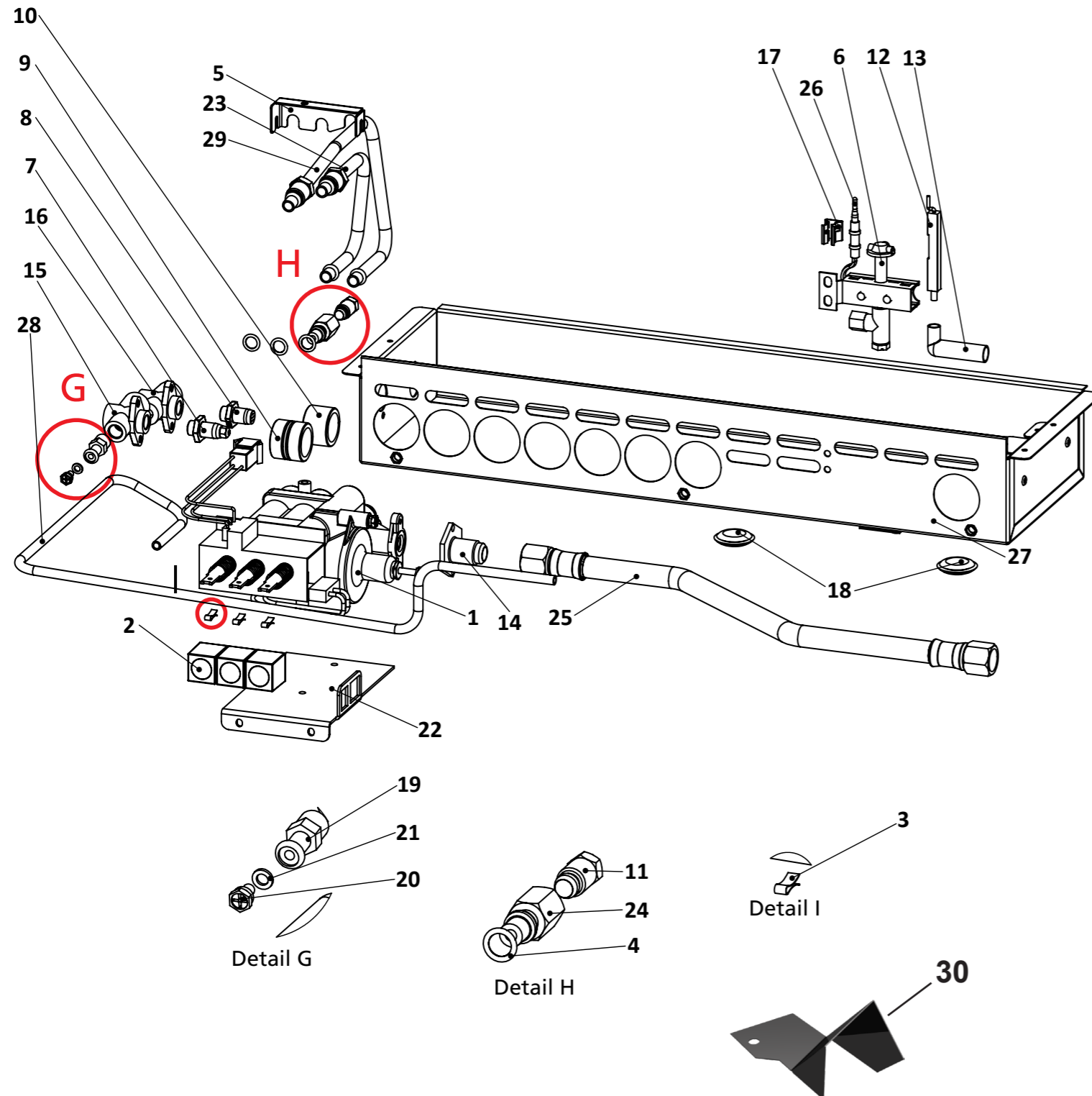
Ref.	Description	Qty.	Part No.	Ref.	Description	Qty.	Part No.
1	Regulator gas inlet elbow kit, comprised of: - Nut ½ compression (6635) - Reg. gas inlet elbow (6680) - Reg. barrel union nut (6679) - Inlet barrel union sleeve (10160)	1	R4825	32	Glass retainer black	2	10142B
2	Fan switch	1	6635	33	Gas connection adaptor	1	10148
5	Cable clip	2	6698	35	Fan switch harness	1	10161
6	Sparker	1	6917	36	Wire cover panel	1	10162
7	Fan mounting grommet	4	7129	37	Glass assembly (glass + seal tape)	1	10182
8	Fan mounting sleeve	4	7130	-	Glass seal replacement tape kit	1	R7010
9	Flue seal	1	7171R	38	Panel front trim rear black	1	11845GL
10	Screw M5x30 hex heat set Zinc	4	9117	39	Log set with granules	1	11997
11	Nut M5 ZP	4	9190	40	Gas control, refer page 3	1	-
12	Plastic cap M5	4	9551	41	Front fascia, refer page 2	1	-
13	Power cord clamp	1	9552	-	Universal sparker lead	1	R7205
14	Fan kit (fan - 15180)	1	R1903	-	Wire harness	1	10168
15	Panel bottom assembly	1	10102	-	Power cord	1	6765B
16	Panel side LH assembly painted	1	10103B				
17	Panel side RH assembly painted	1	10104B				
18	Panel top	1	10105				
19	Panel rear panel	1	11929B				
20	Panel top front	1	10107B				
21	Comb. chamber assy. painted	1	10108				
22	Panel heat shield	1	10109				
23	Bracket temperature switch	1	10115				
24	Panel draft hood assembly	1	10120				
25	Panel flue spigot assembly	1	10119				
26	Panel fan support	1	10122				
27	Panel fan bracket	1	10123				
28	Fan mounting bracket	1	10124				
29	Panel fan guide	1	10125				
30	Burner front assembly painted	1	10128				
31	Burner rear assembly painted	1	10129				

This diagram is provided to assist you to identify parts if replacement is necessary. Contact your place of purchase or the manufacturer to enquire about parts, availability and/or service.



Ref.	Description	Qty.	Part No.
1	Front outer panel galaxy	1	11839GL
2	Front top louvre panel black	1	11841B
3	Front trim upper panel black	1	11842B
4	Front trim middle panel galaxy	1	11843GL
5	Front trim lower panel galaxy	1	11844GL
5	Front trim lower panel stainless steel	1	11993SS
6	Glass tempered (630 x 265 x 5 mm)	1	11848
-	Glass guard replacement (incl.; glass tempered, fragile and caution hot glass labels, grommet glass strip)	1	13623
7	Front inner frame panel black	1	11849B
7	Front inner frame panel stainless steel	1	11846SS
8	Glass stand-offs (refer item 10)	4	11898
9	Glass stand-off grommet set (set of 4)	4	11977
10	Glass stand-off replacement set	1	11989

This diagram is provided to assist you to identify parts if replacement is necessary. Contact your place of purchase or the manufacturer to enquire about parts, availability and/or service.



Ref.	Description	Qty.	Part No.
1	Gas control assembly	1	4995
2	Control button black	3	6617G
3	Control button spring	3	6618
4	O-ring M10B-1-8	3	6642
5	Main gas retainer tube	1	6643
6	Pilot assembly with injectors - NG 0.45	1	7008
6	Pilot assembly with injectors - LPG 0.30	1	7008L
7	Injector Bray 170 CAT33 multi NG	1	7184
7	Injector Bray 95 CAT23 single LPG	1	7173
8	Injector Bray 460 CAT33 multi NG	1	7156
8	Injector Bray 170 multi LPG	1	7184
9	Aeration sleeve 21 mm NG only	1	7296
10	Aeration sleeve 17 mm NG only	1	7258
11	Olive 6 mm	1	7519
12	Electrode	1	7521
13	Electrode sleeve	1	7564
14	Inlet adaptor 3/8 SAE flare	1	7856
15	Injector block A+B+D	1	7955
16	Injector block A+B	1	7952
17	Thermocouple retainer	1	9377
18	Grommet 19 mm	2	9550
19	Pressure test point	1	9992
20	Pressure test point screw	1	9994
21	Pressure test point packing	1	9995
22	Control mounting bracket	1	10126
23	Gas supply tube C	1	10132
24	Pilot adaptor	1	7984
25	Hose SS 10 x 400 3/8 SAE	1	10147
26	Thermocouple assembly c/w overheat	1	10157
27	Panel burner box assembly	1	11847
28	Gas supply tube pilot	1	10173
29	Gas supply tube B	1	10172
30	Pilot cover bracket	1	10118F