

## Linear collection

### Indoor-Outdoor window assembly installation

Enjoy the natural warmth of a real gas fire inside and the flickering ambiance outside. The Linear window assembly allows a double sided Linear model to be installed in an external wall.

The window assembly is available for all Linear models. The fires have been designed to allow for a window installation, ensure you have ordered the correct model and window kit, refer order code table below.

The Linear Indoor-Outdoor is **unable to be retrofitted** to an existing Linear double sided fire due to the customisation needed to fit a window—a new fire would be required.

#### Window kit contents

- Black aluminium frame, double glazed panel
- Window key cellotaped to glass

#### Please note:

- The 800 window opens sideways, left or right—drain holes top and bottom allow for this.
- The 1000 / 1500 window opens downwards



#### Order codes

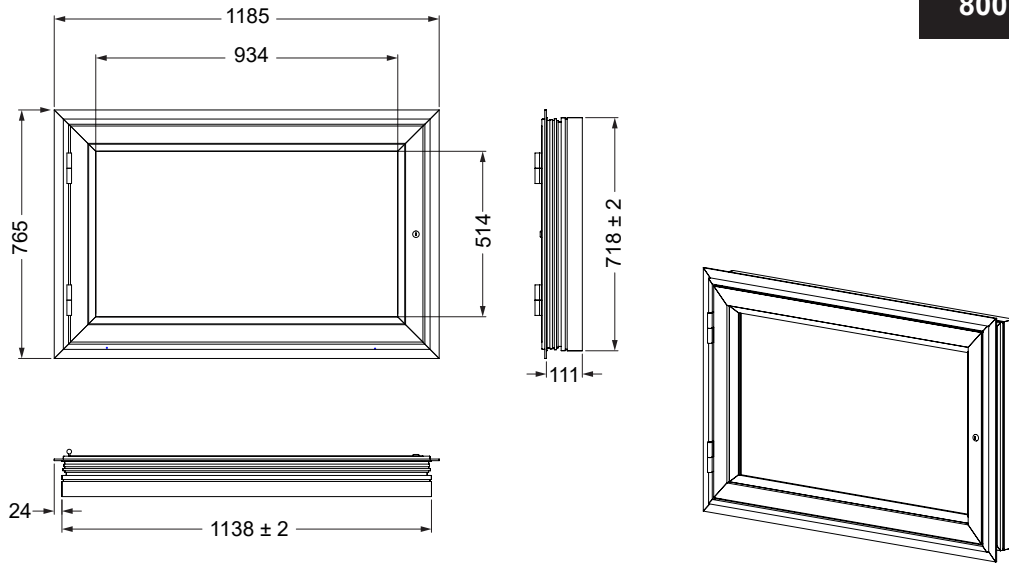
Model	NG code	LPG code	Window kit
Linear 800 FlameTech + window	RHFE0800 <b>WF</b> 1N	RHFE0800 <b>WF</b> 1L	R2930
Linear 800 designer log set + window	RHFE0800 <b>W</b> 1N	RHFE0800 <b>W</b> 1L	R2930
Linear 1000 + window	RHFE1000 <b>W</b> 1N	RHFE1000 <b>W</b> 1L	R2940
Linear 1500 + window	RHFE1500 <b>W</b> 1N	RHFE1500 <b>W</b> 1L	R2950

#### Important

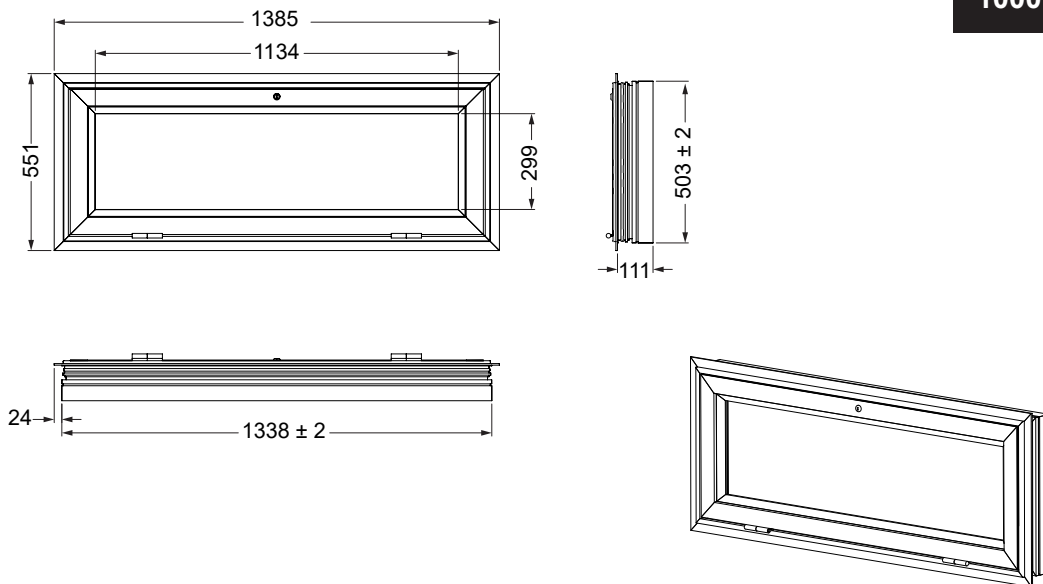
- Refer NZBC E2/AS1 amendment 8 for details on how to install a window and guidelines as provided by the Window and Glass Association NZ, refer: <https://www.wganz.nz/guide-to-window-installation-2/>
- The fire is designed to be operated with the window closed. The window should only to be open for cleaning and servicing.
- Warranty does not include windows from other suppliers

# Window dimensions

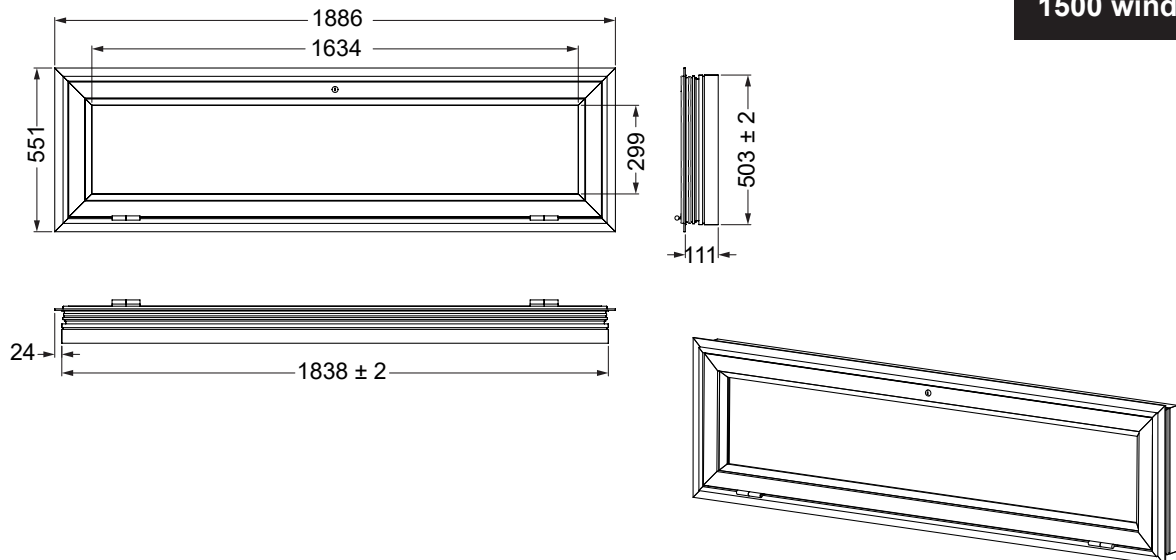
## 800 window



## 1000 window



## 1500 window



# Important

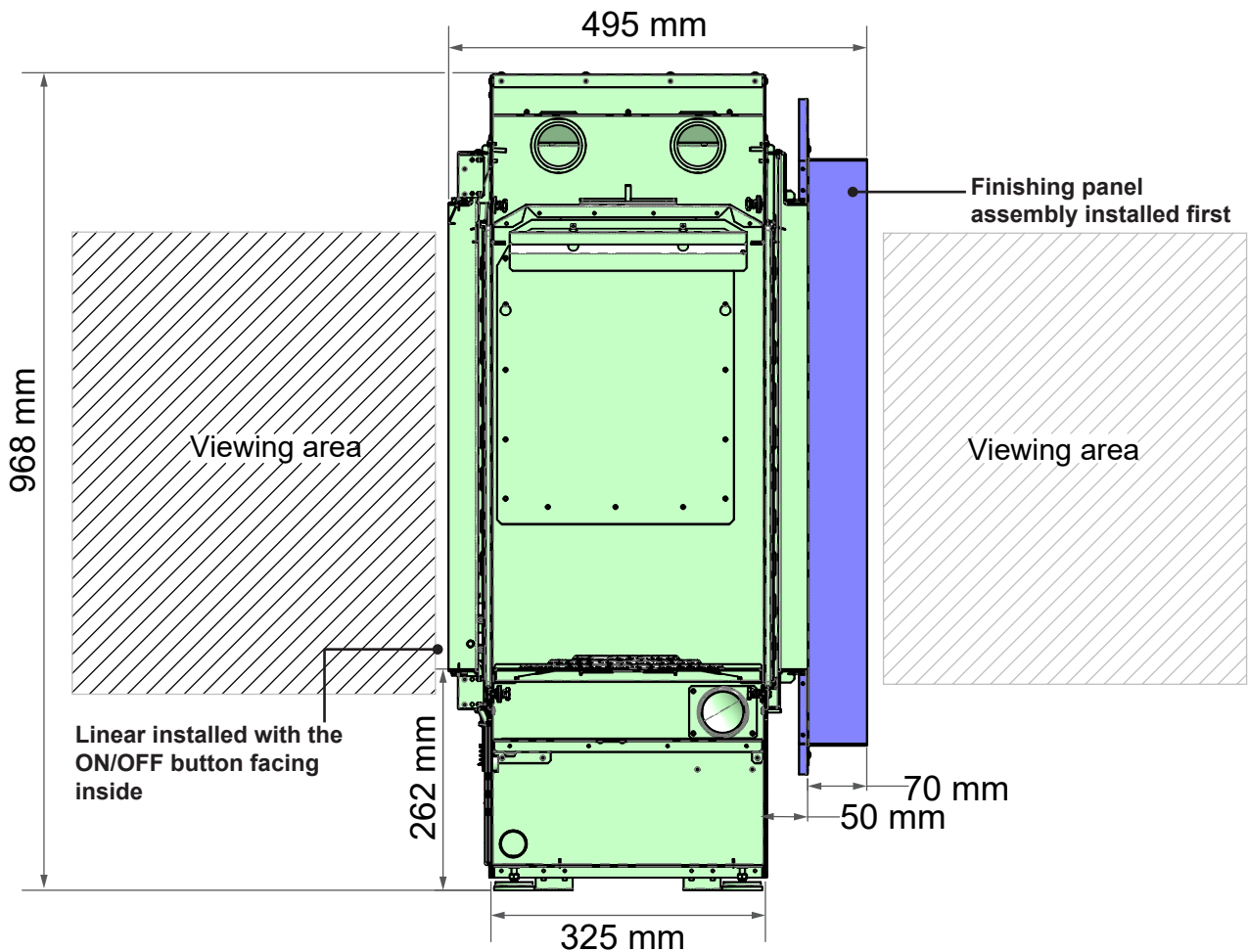
For a successful installation it's important that the proposed window placement is checked to make sure the fire will fit. For example, enough room underneath for the Linear to be installed, and just as important, that the fire won't be installed too high up the wall. The fire needs to be sized to match the window height.

Use these instructions in conjunction with the Linear installation guide, also supplied with the fire, as this contains important framing dimension and clearance details.

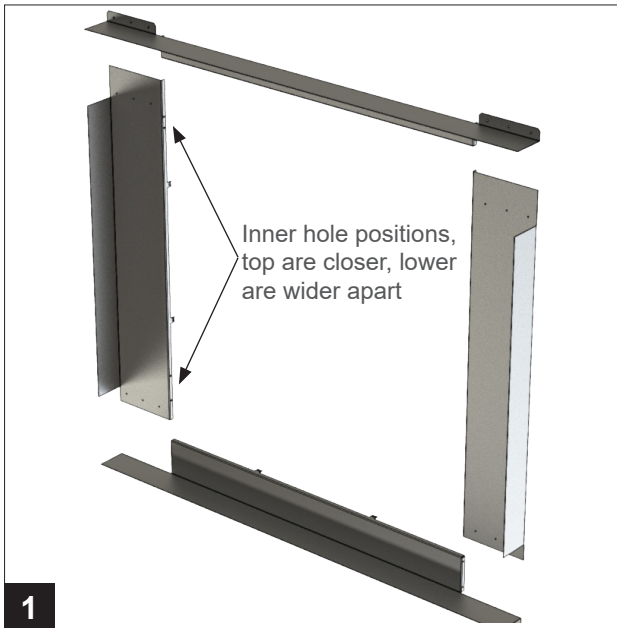
## Important

Ensure the Linear is installed with the ON/OFF button facing INSIDE.

### Installed finishing panel assembly on the Linear 800 fire



# Installation



## Assemble panels

Lay the finishing panels (supplied with the fire) in the configuration shown above. Note inner hole positions to help with placement. The top inner holes are closer together, and the lower holes are spaced wider apart.



## Secure panels 1

Secure the panels together using the 12 fasteners provided (truss screws - 9151).



## Secure panels 2

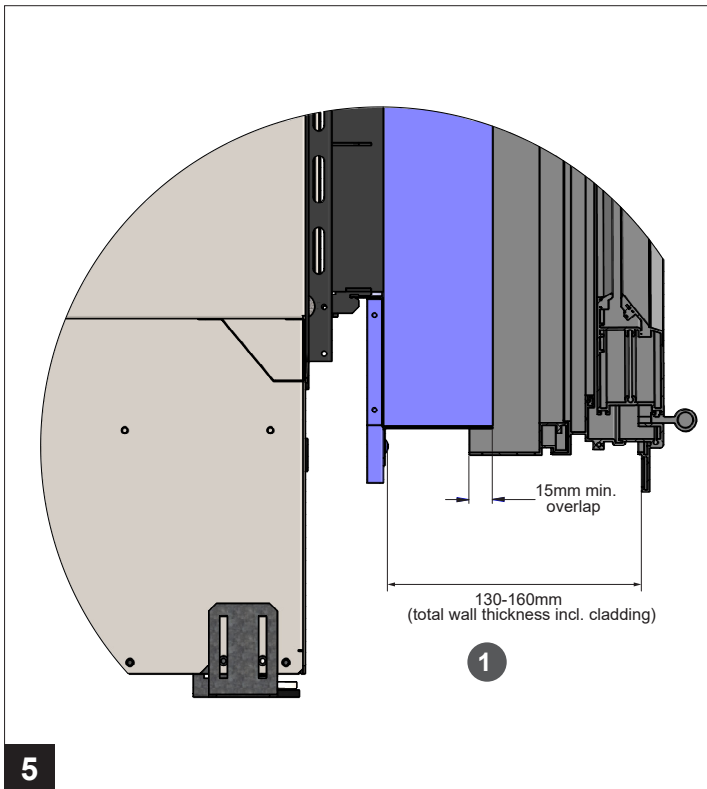
Turn the assembled panels around and secure the other side using the 8 fasteners provided (truss screws - 9151)



## Attach panel assembly

Clip the complete assembly to window side of the fire, taking note of the orientation. Panel clips are located on the sides, top, and bottom of the assembly. Ensure they click firmly into place.

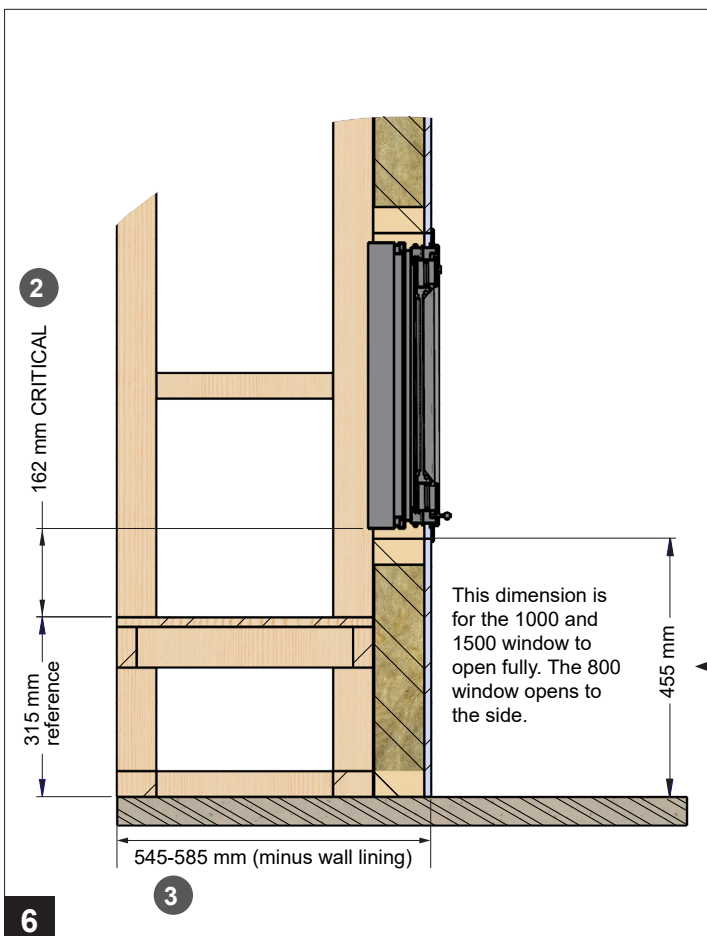
# Installation



## Install window

Refer NZBC E2/AS1 amendment 8 for details on how to install a window and guidelines as provided by the Window and Glass Association NZ, refer:

<https://www.wganz.nz/guide-to-window-installation-2/>



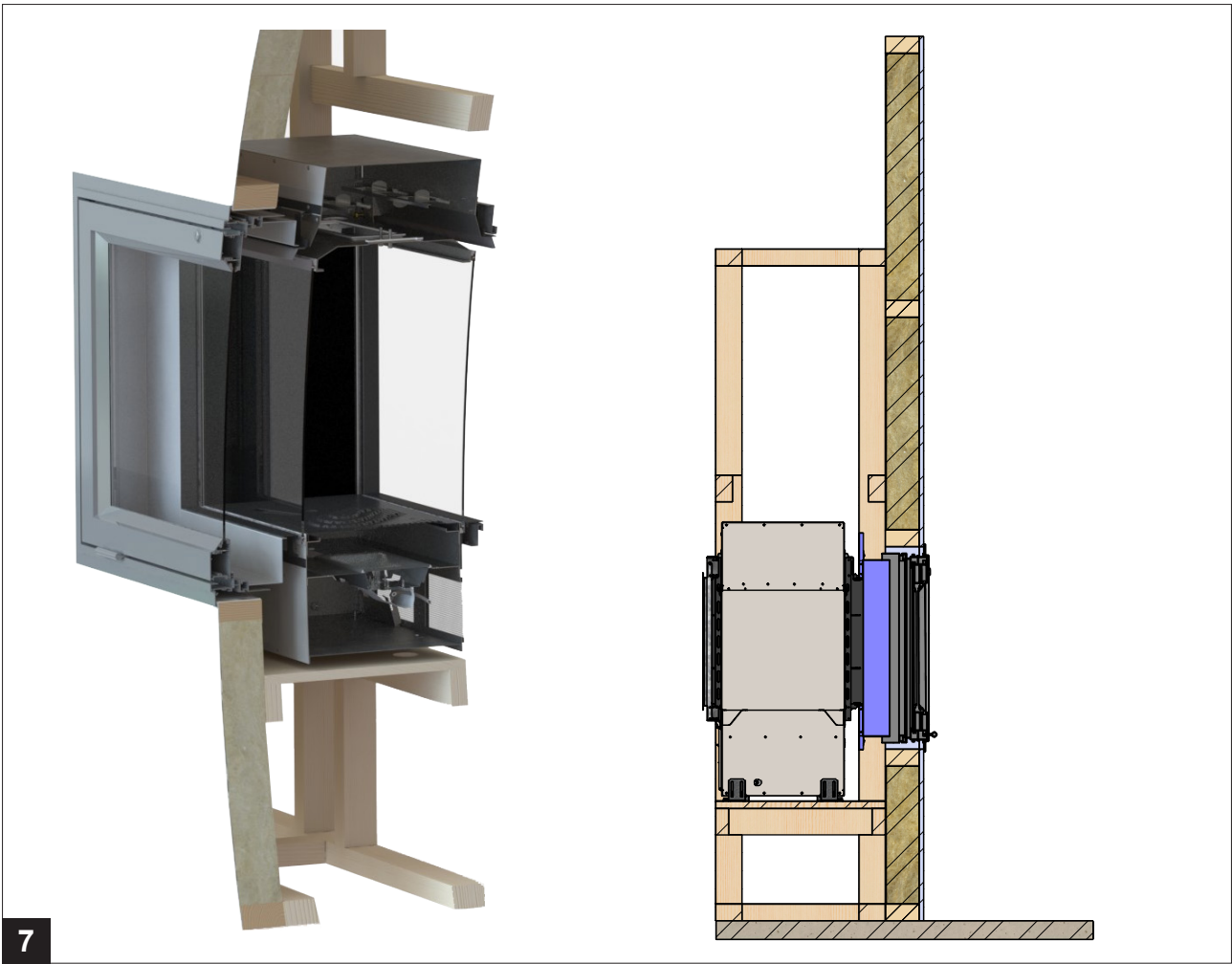
## Fabricate plinth

Fabricate a plinth to position the fire in front of the outdoor window, ensure the front lip of the fire is in line with the window lip. This ensures a complete view of the fire from the outside.



The critical dimensions for a successful and aligned installation are numbered 1, 2, and 3 on the diagrams. The 162 mm dimension is to the window sill—packing/feet adjustment may be required.

While this height allows for the window to be fully open, it may be too high for the preferred viewing position of the fire. Adjust as required.



**7**  
**Finished installation**

# Cleaning the glass



The window should only be opened for cleaning (and servicing by authorised personnel).

Do not touch any other component inside the unit, this should only be done by a licensed tradesperson. Only a licensed tradesperson can install, adjust, maintain, and service this gas fire. Any work carried out by a non-licensed tradesperson is illegal and will void any warranty.



## Unlock the window

Unlock the window using the key supplied with the window assembly.



## Clean the window

Clean using a microfibre cloth and glass cleaner if needed.

**Rinnai.co.nz**

Tel: 0800 746 624

<http://www.youtube.com/rinnainz>

<http://facebook.com.rinnainz>

Linear indoor outdoor installation 13895-B