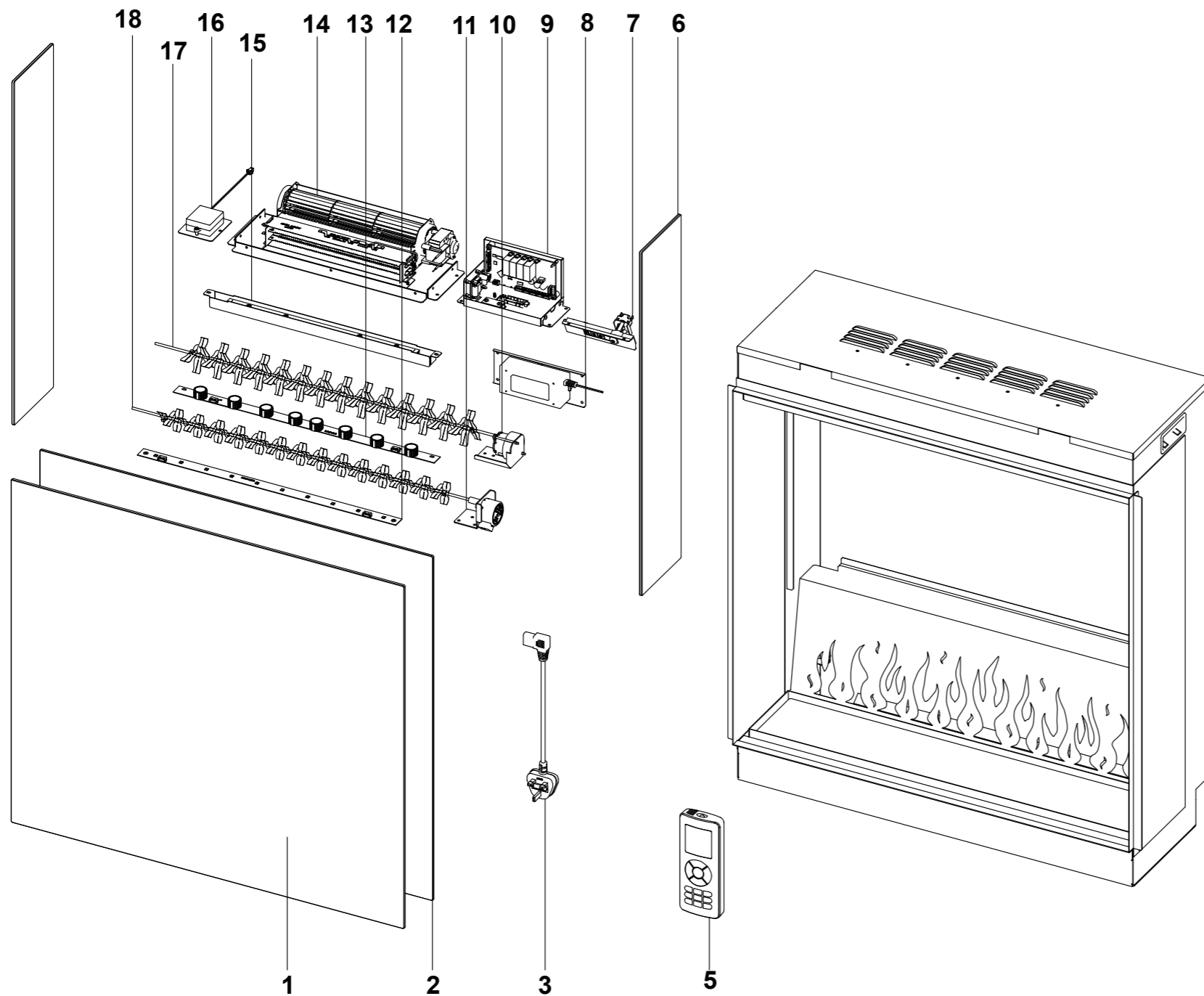
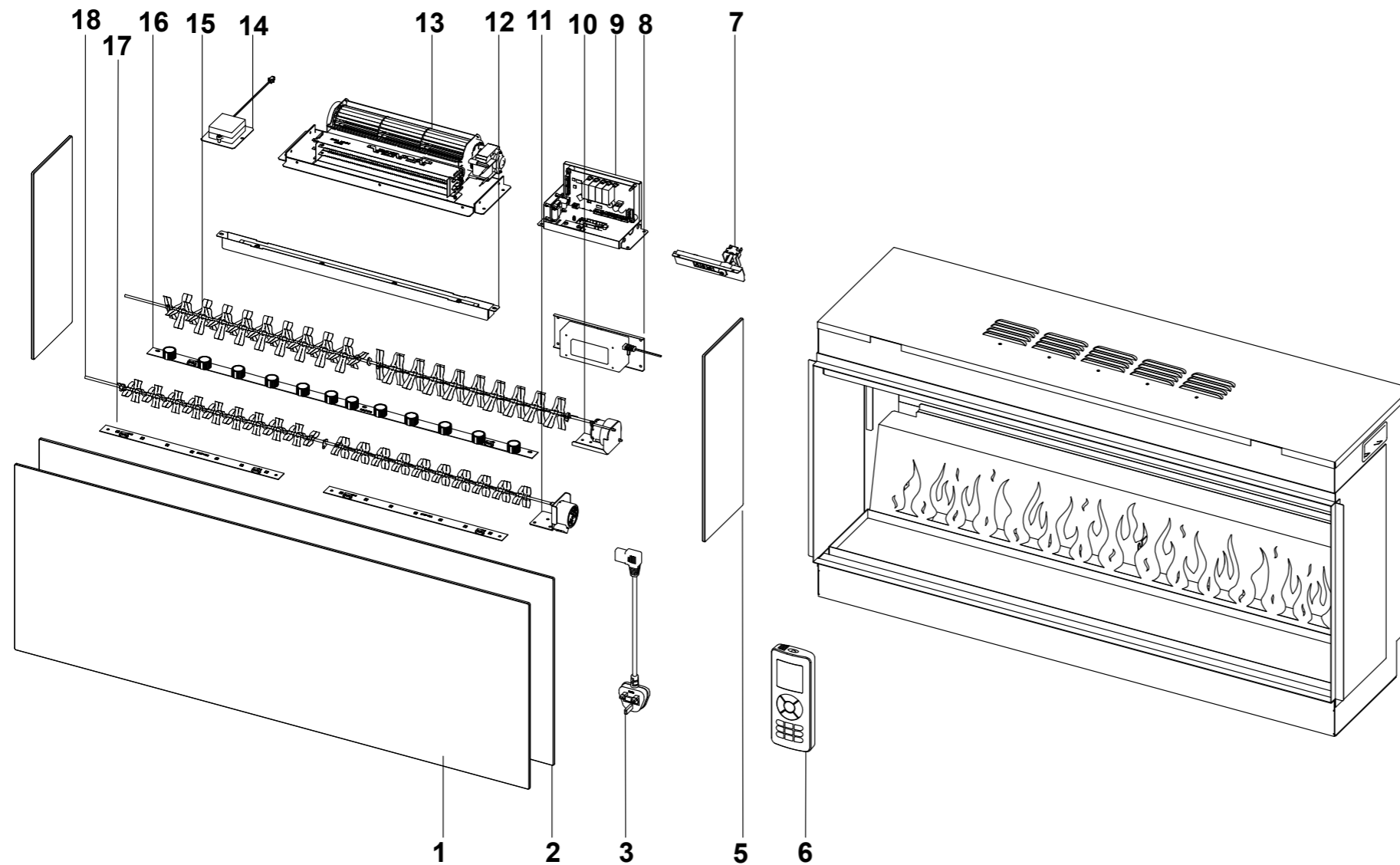


This diagram is provided to assist you to identify parts if replacement is necessary. Contact your place of purchase or the manufacturer to enquire about parts, availability and/or service.



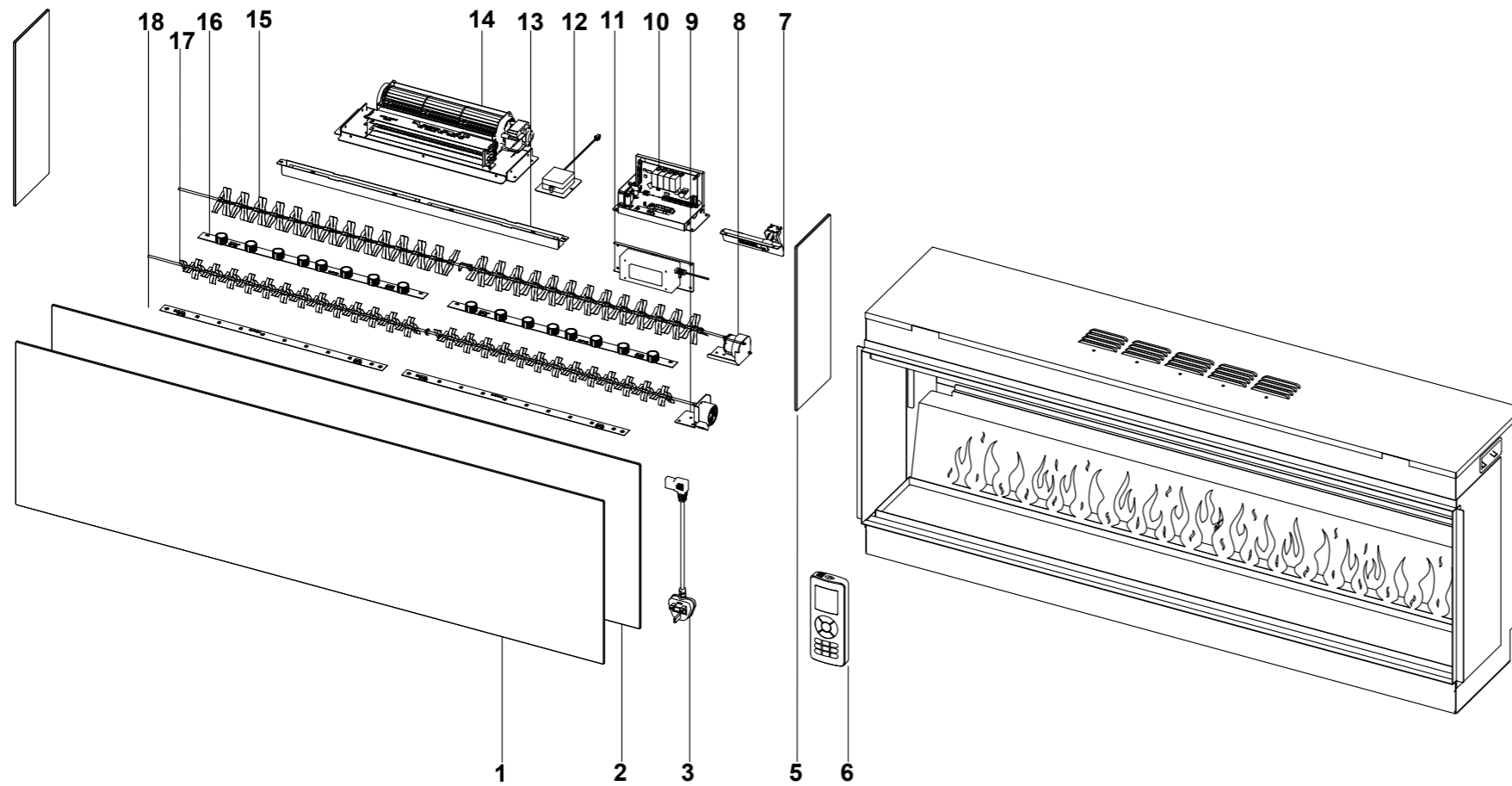
Ref.	Description	Part No.
1	Front glass	17895
2	Flame effect screen	17874
3	Power cord	17902
5	Remote control handset	17903
6	Side glass	17880
7	Control panel with manual switches	17842
8	Power unit	17854
9	Control box	17901
10	Flame effect spindle motor	17847
11	Fuel bed spindle motor	17841
12	Fuel bed LED board	17856
13	Flame effect LED board	17877
14	Heater unit	17846
15	LED downlight	17878
16	Speaker	17840
17	Flame effect spindle	17875
18	Fuel bed spindle	17876
-	Decorative fuel effect logs A	17879
-	Magnetic tool	17845
-	Sucker	17858
-	Vermiculite granules	17853
-	Glass embers	17848

This diagram is provided to assist you to identify parts if replacement is necessary. Contact your place of purchase or the manufacturer to enquire about parts, availability and/or service.



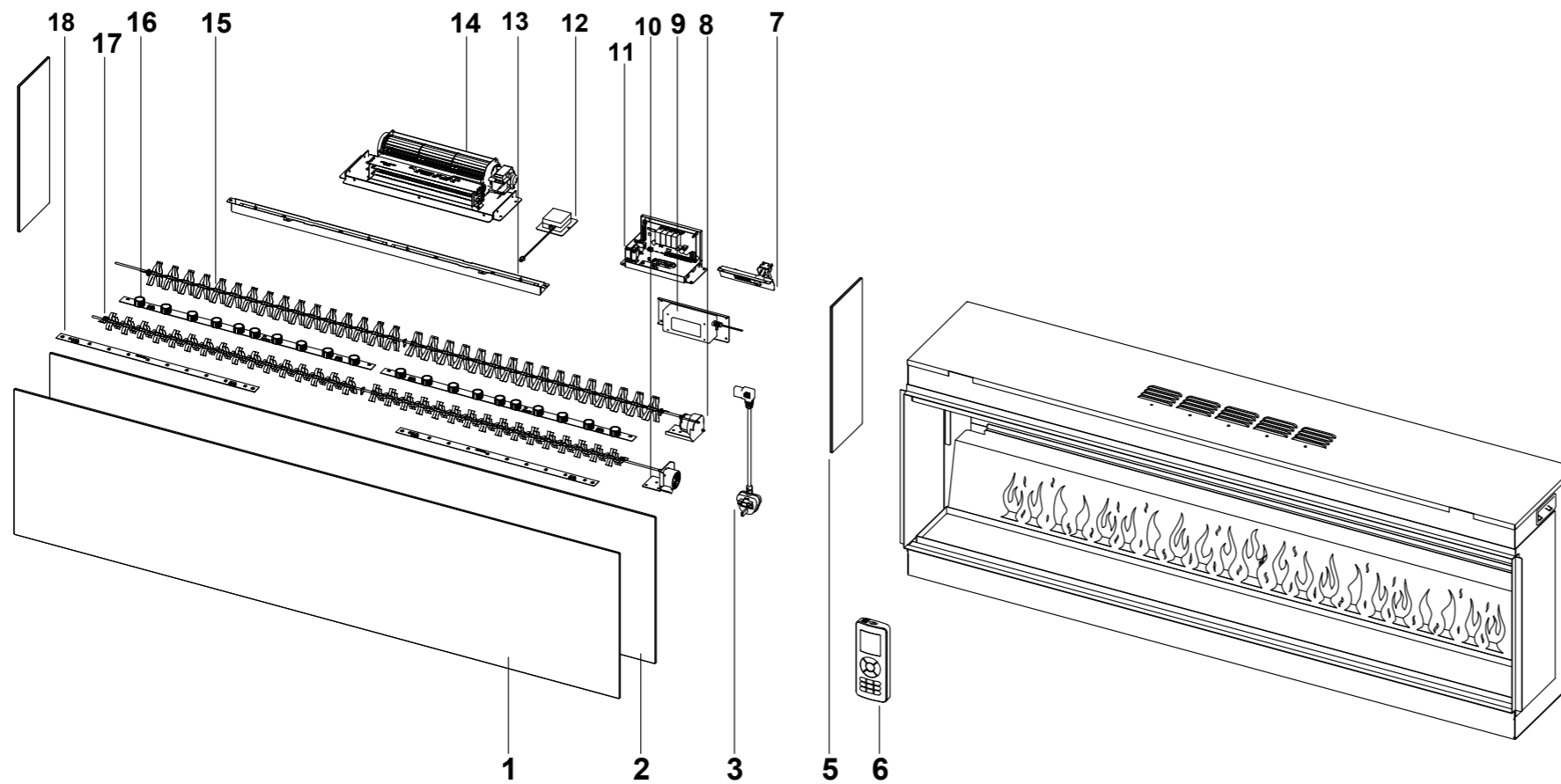
Ref.	Description	Part No.
1	Front glass	17896
2	Flame effect screen	17859
3	Power cord	17902
5	Side glass	17843
6	Remote control handset	17903
7	Control panel with manual switches	17842
8	Power unit	17854
9	Control box	17901
10	Flame effect spindle motor	17847
11	Fuel bed spindle motor	17841
12	LED downlight	17864
13	Heater unit	17846
14	Speaker	17840
15	Flame effect spindle	17875
16	Flame effect LED board	17861
17	Fuel bed LED board	17856
18	Fuel bed spindle	17862
-	Decorative fuel effect logs A	17865
-	Magnetic tool	17845
-	Sucker	17858
-	Vermiculite granules	17853
-	Glass embers	17848

This diagram is provided to assist you to identify parts if replacement is necessary. Contact your place of purchase or the manufacturer to enquire about parts, availability and/or service.



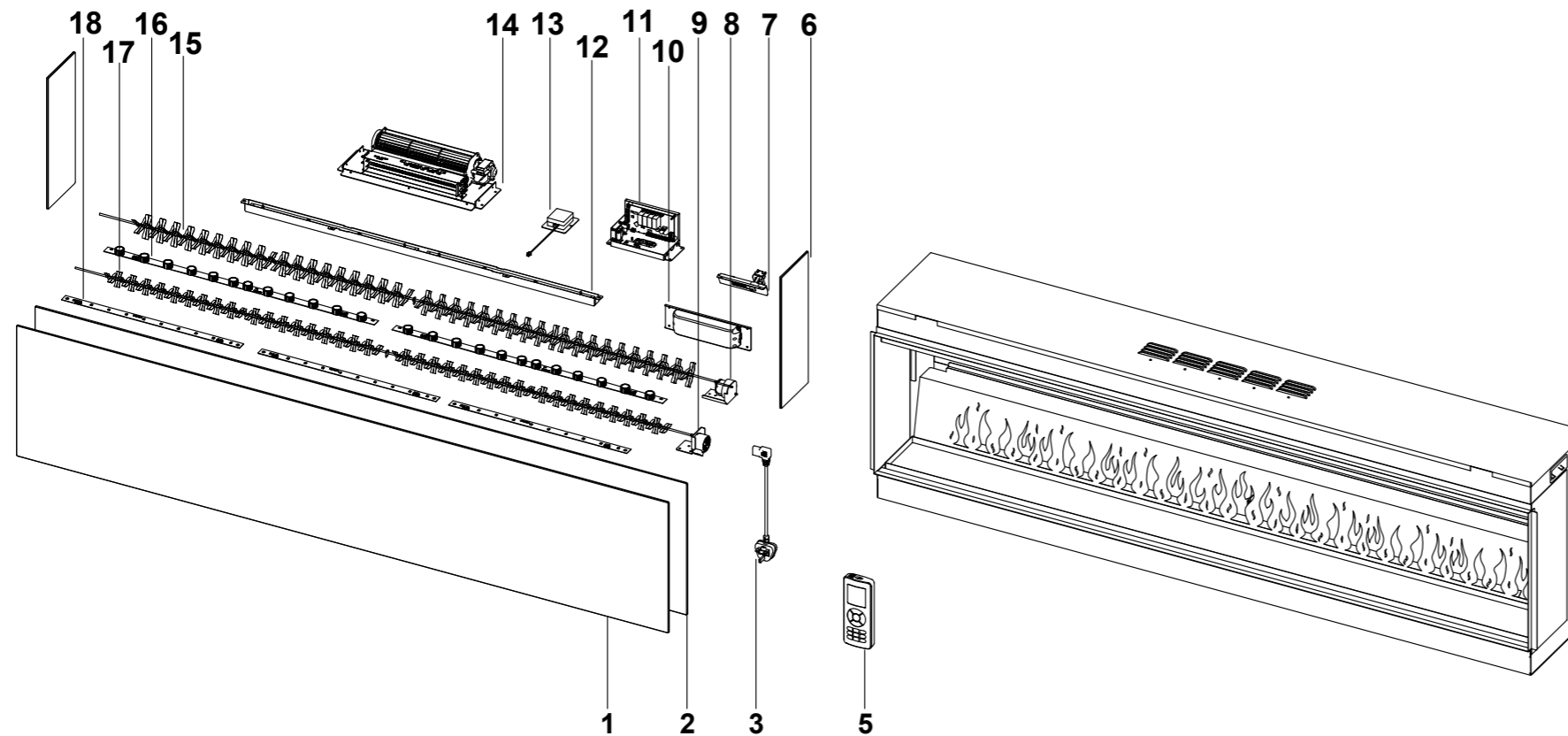
Ref.	Description	Part No.
1	Front glass	17897
2	Flame effect screen	17882
3	Power cord	17902
5	Side glass	17843
6	Remote control handset	17903
7	Control panel with manual switches	17842
8	Flame effect spindle motor	17847
9	Fuel bed spindle motor	17841
10	Control box	17901
11	Power unit	17854
12	Speaker	17840
13	LED downlight	17881
14	Heater unit	17846
15	Flame effect spindle	17883
16	Flame effect LED board	17877
17	Fuel bed spindle	17884
18	Fuel bed LED board	17856
-	Decorative fuel effect logs A	17885
-	Magnetic tool	17845
-	Sucker	17858
-	Vermiculite granules	17853
-	Glass embers	17848

This diagram is provided to assist you to identify parts if replacement is necessary. Contact your place of purchase or the manufacturer to enquire about parts, availability and/or service.



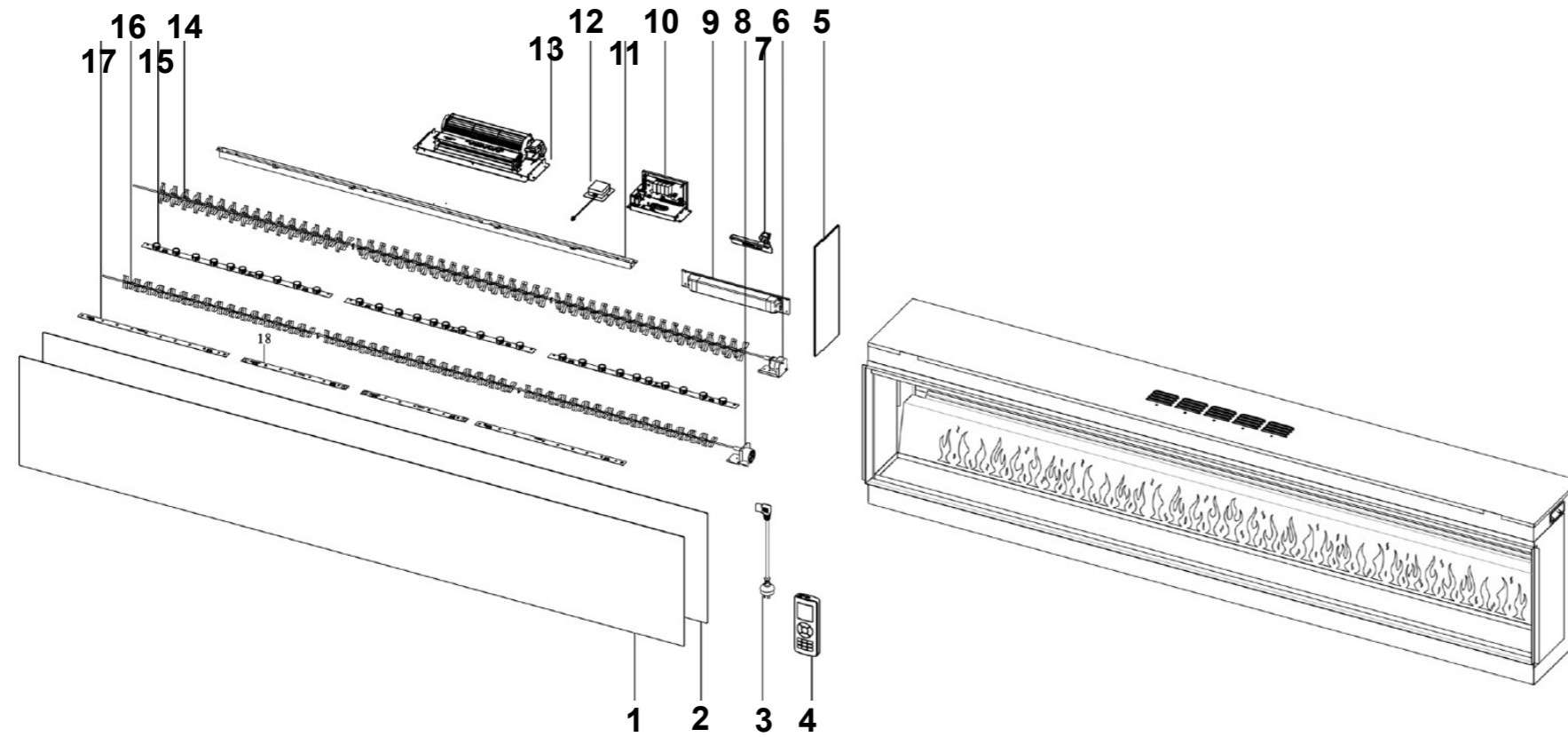
Ref.	Description	Part No.
1	Front glass	17898
2	Flame effect screen	17844
3	Power cord	17902
5	Side glass	17843
6	Remote control handset	17903
7	Control panel with manual switches	17842
8	Flame effect spindle motor	17847
9	Power unit	17854
10	Fuel bed spindle motor	17841
11	Control box	17901
12	Speaker	17840
13	LED downlight	17855
14	Heater unit	17846
15	Flame effect spindle	17850
16	Flame effect LED board	17849
17	Fuel bed spindle	17857
18	Fuel bed LED board	17856
-	Decorative fuel effect logs A	17851
-	Decorative fuel effect logs B	17852
-	Magnetic tool	17845
-	Sucker	17858
-	Vermiculite granules	17853
-	Glass embers	17848

This diagram is provided to assist you to identify parts if replacement is necessary. Contact your place of purchase or the manufacturer to enquire about parts, availability and/or service.



Ref.	Description	Part No.
1	Front glass	17899
2	Flame effect screen	17867
3	Power cord	17902
5	Remote control handset	17903
6	Side glass	17843
7	Control panel with manual switches	17842
8	Flame effect spindle motor	17847
9	Fuel bed spindle motor	17841
10	Power unit	17866
11	Control box	17901
12	LED downlight	17871
13	Speaker	17840
14	Heater unit	17846
15	Flame effect spindle	17868
16	Flame effect LED board	17861
17	Fuel bed spindle	17869
18	Fuel bed LED board	17856
-	Decorative fuel effect logs A	17872
-	Decorative fuel effect logs B	17873
-	Magnetic tool	17845
-	Sucker	17858
-	Vermiculite granules	17853
-	Glass embers	17870

This diagram is provided to assist you to identify parts if replacement is necessary. Contact your place of purchase or the manufacturer to enquire about parts, availability and/or service.



Ref.	Description	Part No.
1	Front glass	17900
2	Flame effect screen	17886
3	Power cord	17902
4	Remote control handset	17903
5	Side glass	17843
6	Flame effect spindle motor	17847
7	Control panel with manual switches	17842
8	Fuel bed spindle motor	17841
9	Power unit	17892
10	Control box	17901
11	LED downlight	17889
12	Speaker	17840
13	Heater unit	17846
14	Flame effect spindle	17887
15	Flame effect LED board	17849
16	Fuel bed spindle	17888
17	Fuel bed LED board (RC07-295A)	17856
-	Sucker	17858
-	Decorative fuel effect logs A	17890
-	Decorative fuel effect logs B	17891
-	Vermiculite granules	17894
-	Magnetic tool	17845
-	Glass embers	17893