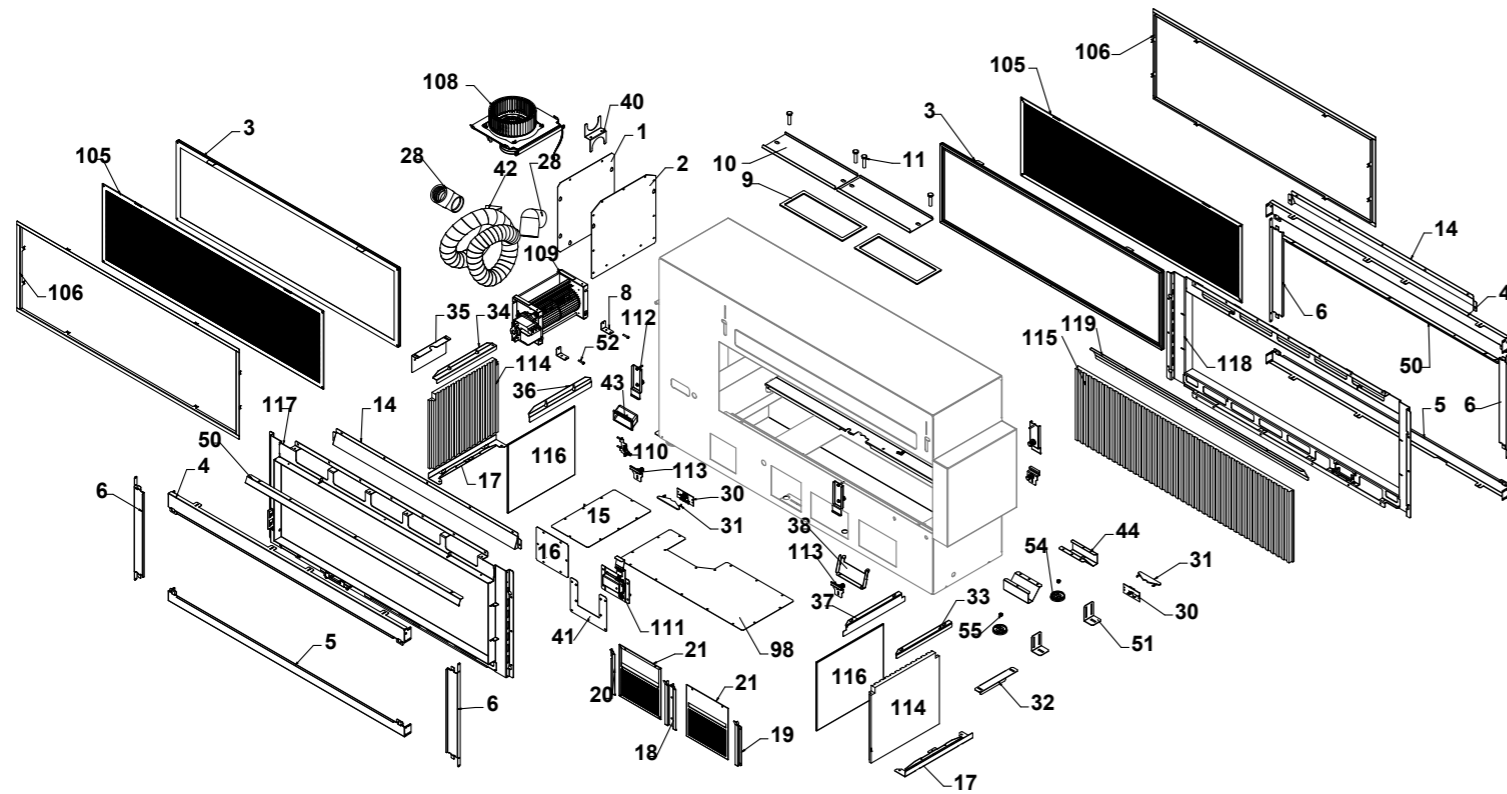


# Rinnai | Linear 1000 gas fireplace

This diagram is provided to assist you to identify parts if replacement is necessary. Contact your place of purchase or the manufacturer to enquire about parts, availability and/or service.

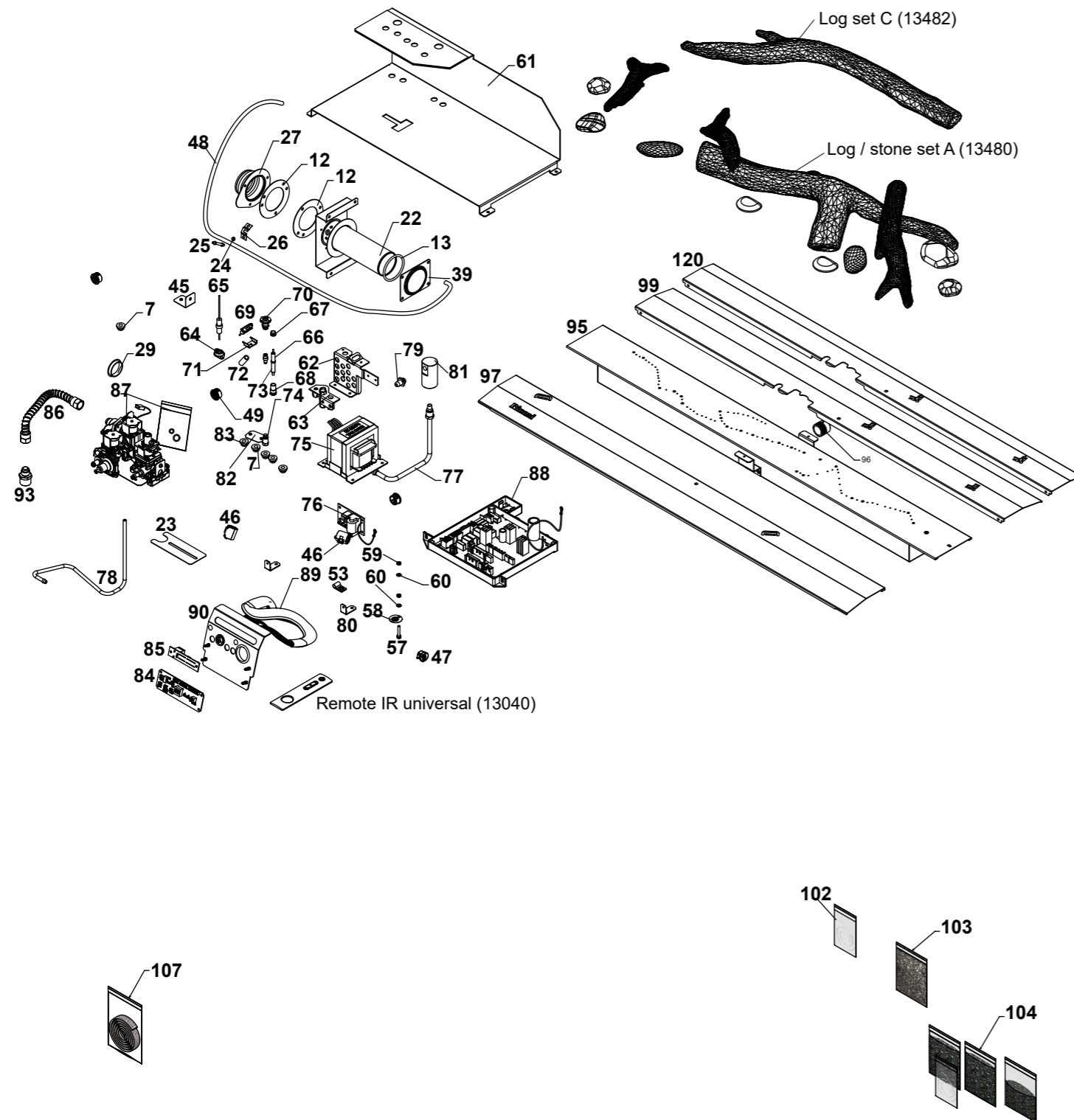


Ref.	Description	Part No.
1	Panel fan access hatch A	13317
2	Panel fan access hatch B	13509
3	Assembly glass frame	13443
4	Panel wallboard support top	13515
5	Panel wallboard support bottom	13517
6	Panel wallboard support side	13516
8	Bracket fan holder	13311
9	Gasket pressure relief	13330
10	Panel pressure relief flap	13312
11	Pin brass pressure relief	13352
14	Panel air diverter out black	13508B
15	Panel access convection fan	13319
16	Panel access convection fan front	13321
17	Panel board support end black	13327F
18	Guide panel filter center	13344
19	Guide panel filter RH	13345
20	Guide panel filter LH	13346
21	Filter front assembly galaxy	13343GL
28	Air inlet elbow B	4328
30	PCB IR receiver	13419
31	Lens IR acrylic	13416
32	Panel ceramic spacer RH	13358
33	Panel ceramic retainer RH	13359F
34	Panel ceramic holder LH painted	13355F
35	Panel ceramic spacer LH	13356
36	Panel magic black retainer	13363F
37	Panel magic black retainer RH	13374F
38	Panel control PCB bracket locator	13402
40	Bracket flue lock	13398
41	Panel access inlet	13323
42	Air inlet hose	10349
43	Handle clip in plastic	B021363
44	Panel handle spacer	13339
50	Panel top louvre black	13530B
51	Bracket seismic restraint	13384
52	Screw M4 x 20 PAN PHIL Zinc	9073
54	Rubber foot assembly	1610
55	Nut M6 Hex	9176
98	Panel access gas connection	13320

Ref.	Description	Part No.
105	Mesh assembly (accessory)	R2913
106	Trim outer (accessory)	R2916
108	Fan combustion	13680
109	Fan convection	13681
110	On/Off switch	13686
111	Wi-Fi receiver assembly	13687
112	Glass retainer latch top	13688
113	Glass retainer latch bottom	13689
114	Ceramic end panel	13692
115	Ceramic back panel	13693
116	Magic black side panel	13697
117	Lip assembly IR bracket front	13700
118	Lip assembly IR bracket back	13701
119	Panel ceramic holder back black	13513F

# Rinnai | Linear 1000 gas fireplace

This diagram is provided to assist you to identify parts if replacement is necessary. Contact your place of purchase or the manufacturer to enquire about parts, availability and/or service.

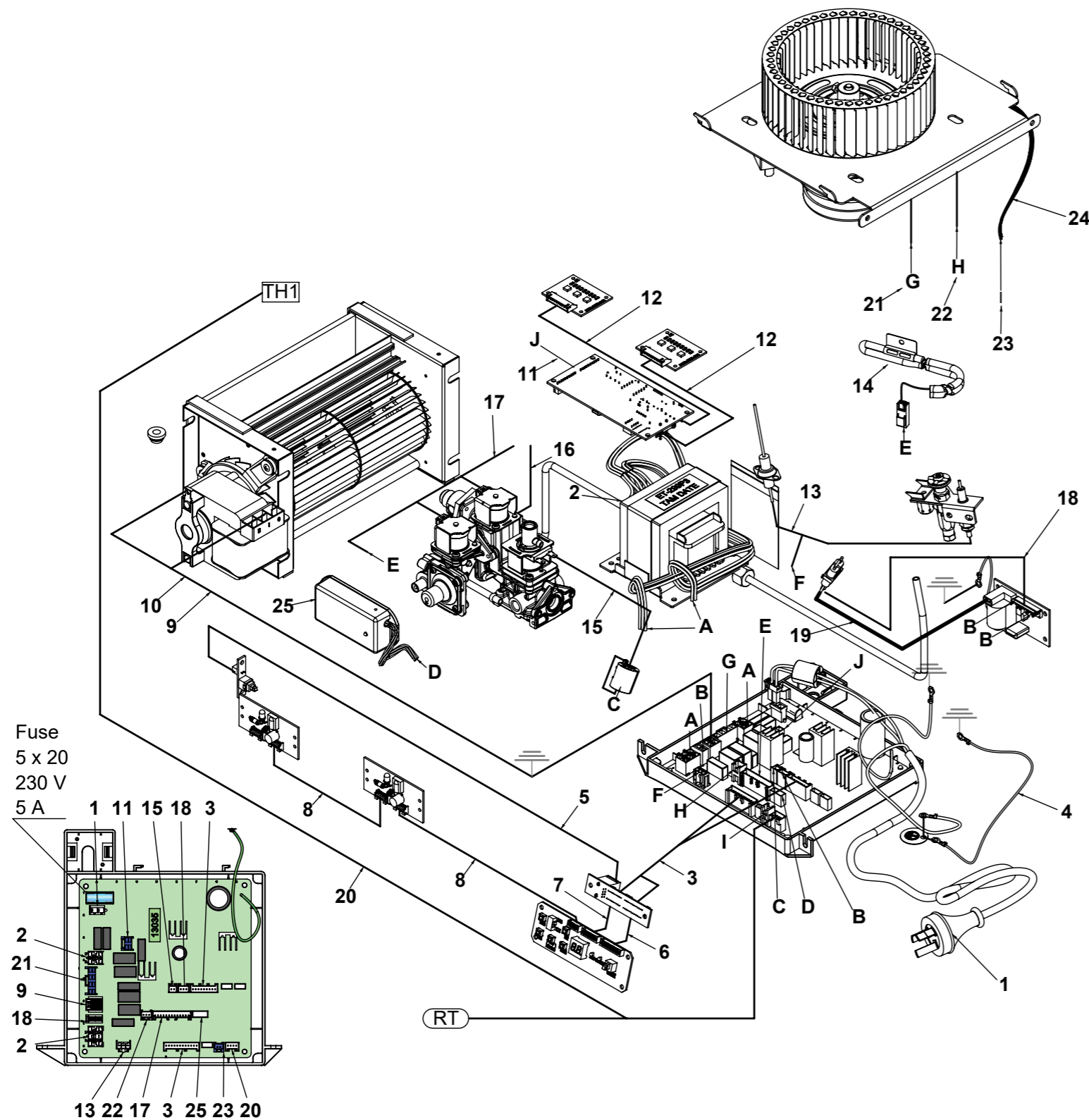


Ref.	Description	Part No.
7	Grommet silicone Ø4 hole red	10293
12	Packing rear inlet	10238
13	O-ring M10B-4-49	4850
22	Rear inlet	10236
23	Panel inlet pipe cover	13331
24	O-ring M10B-13-4	2239
25	Tube rear air pressure	10492
26	Clamp rear air inlet pressure tube	10493
27	Air inlet adaptor	10344
29	Grommet 22-PPG32	11937
39	Panel air inlet seal plate	13532
45	Bracket TH1 V2	13900
46	Ferrite clamp	13004
47	Power cord holder	7845
48	Tube silicone black	12685
49	Insulating bush	10658
53	Power cord clamp	9552
58	Tag earth symbol	11269
59	Nut M4 ZP	9186
60	Washer flat M4 ZP	9231
61	Shelf gas control assembly	13364
62	Bracket pilot	12824
63	Pilot body top convertible	7870
64	Flame rod bracket	3068
65	Flame rod	10274
66	Flame rod	7520
67	Spacer electrode pilot	7902
68	Electrode nut ETR	7900
69	Double electrode	10265
70	Pilot convertible hood 3-flame	10272
71	Electrode clamp universal control	10343
72	Silicone tube 9.5 x 6.4	12931
73	Injector pilot LPG 35	7873
73	Injector pilot NG 62	7795
74	Olive 6 mm	7519
75	Transformer	10258
76	Igniter	13006
77	Gas supply main tube assembly	13430
78	Gas supply tube pilot	13431

Ref.	Description	Part No.
79	Injector main LPG 1.7	11534
79	Injector main NG 2.8	11892
80	Bracket PCB mount	13386
81	Injector block	11530
82	Panel injector blanking plate	13307
83	Grommet silicone 2 Ø1.8 hole black	10294
84	PCB display	10253
85	Interface board	12494
86	Flextube 3/8 CW 5/8-18 nuts	7835
87	Gas control 1000 (with o-ring pack)	13682
-	Gas control o-ring M10B-1-6 (x1)	6308
-	Gas control o-ring M10B-1-10 (x1)	2389
88	PCB	13684
89	Harness control panel CW flex	13685
90	Control PCB holder	13704
93	Reducing flare 3/8 x 1/2	5074
95	Burner assembly black NG	13462F
95	Burner assembly black LPG	13446F
96	Aeration sleeve NG	13335
97	Panel burner support printed and painted	13447F
99	Burner surround pilot D painted	13449F
102	Glowing ash 3g (wire wool)	13476
103	Vermiculite black (approx. 2 cups/ 0.5L)	16063
104	Media modern crushed glass	R2904
107	Glass seal tape 4m replacement kit	R7012
120	Burner surround pilot S painted	13448F
<b>Not drawn</b>		
-	Panel handle spacer	13339
-	Screw 2 truss 4 x 8 TAP Zinc	9151
-	Screw M4 x 25 PANPHIL	9076

## Linear 1000 gas fireplace (wiring)

This diagram is provided to assist you to identify parts if replacement is necessary. Contact your place of purchase or the manufacturer to enquire about parts, availability and/or service.



Ref.	Description	Part No.		
		800	1000	1500
1	Power cord universal control	13042		
2	Transformer	10258		
3	Harness control panel	10284		
4	Wire earth combustion fan	10387		
5	Harness on/off	13379		
6	Harness 12-way control panel	12492		
7	Harness 9-way control panel	12496		
8	Harness receiver	12656		
9	Harness fan - PRE Feb 2020	12839		
9	Harness fan - POST Feb 2020	13407	13407	13101
10	Harness fan extension	N/A	N/A	13351
11	Harness control PCB LED FT only	13333	N/A	N/A
12	Harness LED FT only	13334	N/A	N/A
13	Harness flame rod	13008		
14	Thermal fuse	13011		
15	Harness POV	13012		
16	Harness MV relay	13013		
17	Harness TFMV 1-burner	13014	13014	N/A
17	Harness TFMV 2-burner	N/A	N/A	13010
18	Harness ignition	13031		
19	HT lead universal control	13089		
20	Harness RT OH1	13483		
21	Harness combustion fan	10289		
22	Harness combustion fan speed	10480		
23	Harness combustion fan thermistor fly	10507		
24	Harness thermistor combustion fan	13559		
25	Wi-Fi receiver	13038		