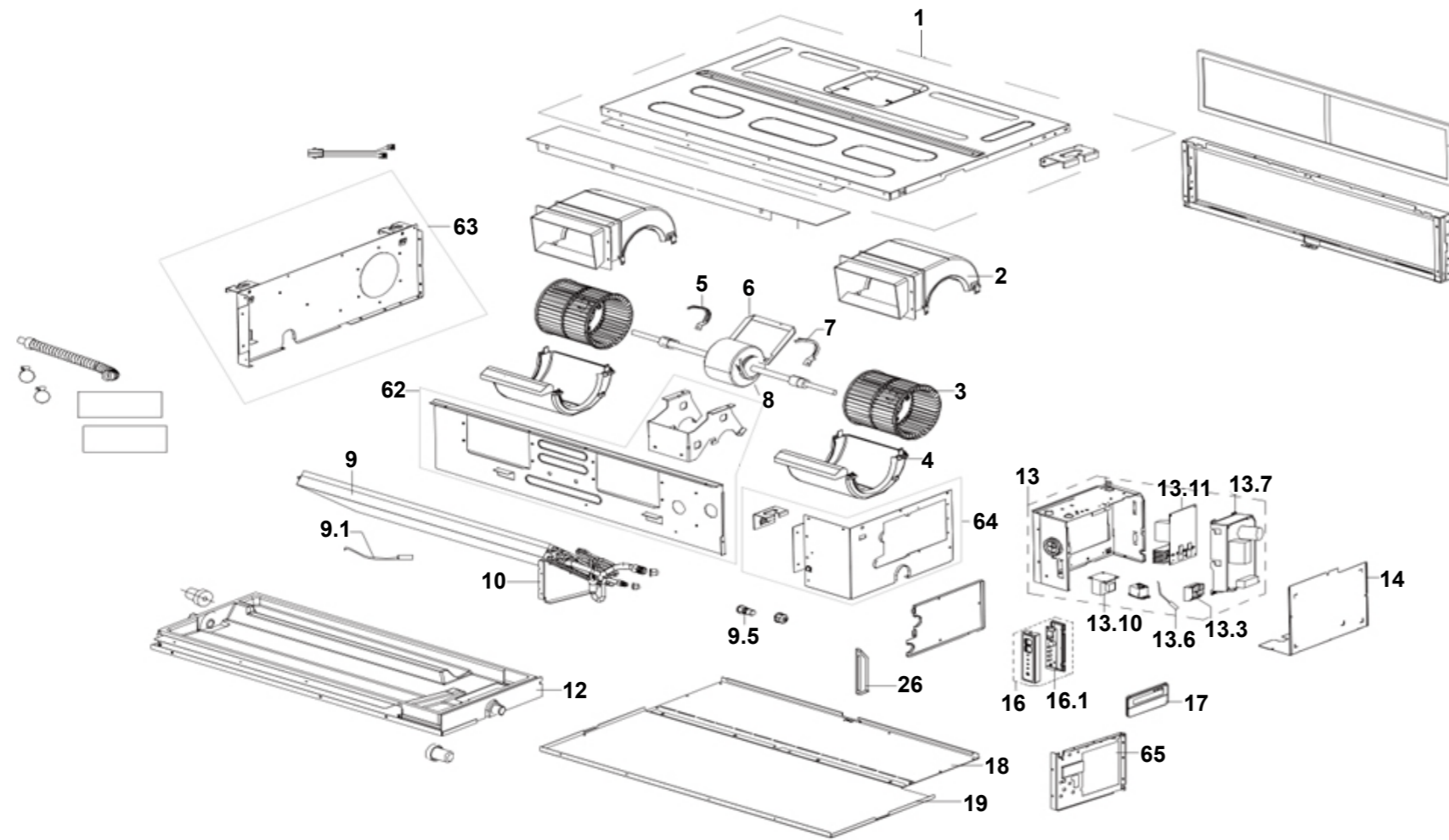


Pro Series Ducted 7 kW indoor unit (DINLR07B1)

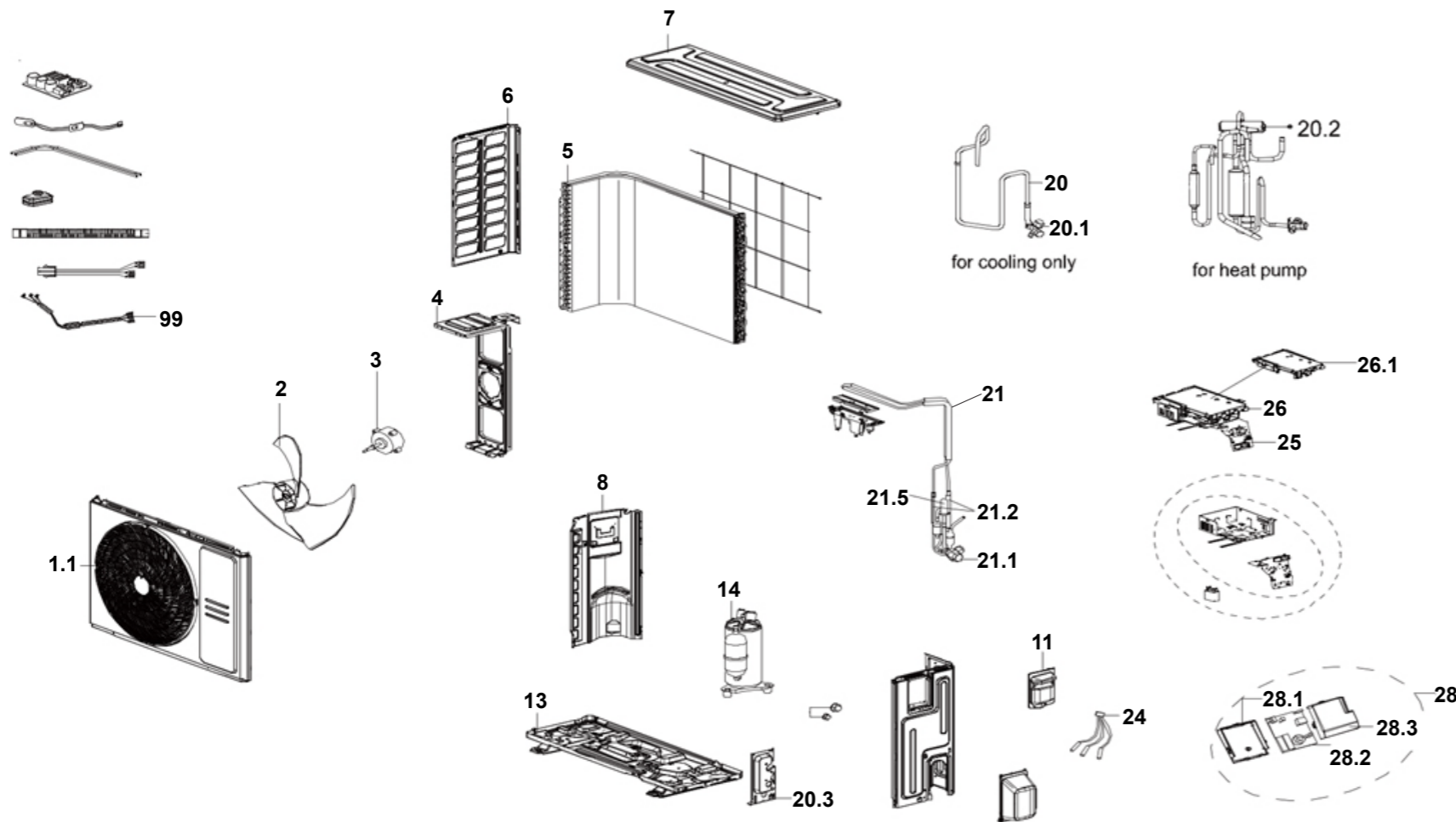
This diagram is provided to assist you to identify parts if replacement is necessary. Contact your place of purchase or the manufacturer to enquire about parts, availability and/or service.



Ref.	Description	Part No.
1	Chassis sub-assembly	
2	Top volute sub-assembly	
3	Fan scroll	
4	Bottom volute	
5	Fan motor axes clamp (left)	
6	Fan motor fixing board	
7	Fan motor axes clamp (right)	
8	Brushless DC motor	14151
9	Evaporator assembly	
9.1	Pipe temperature sensor	14156
9.5	Detection valve	
10	Evaporator right support board sub-assembly	
12	Water collector assembly	
13	Duct electronic control box sub-assembly	
13.3	Terminal	
13.6	Room temperature sensor	14157
13.7	Duct main control board sub-assembly	
13.10	Reactor	
13.11	Inverter control board sub-assembly	
14	Electronic control box cover	
16	Duct display board sub-assembly	84000085
16.1	Duct display board sub-assembly	
17	Wired controller	
18	Rear cover sub-assembly	
19	Top cover sub-assembly	
26	Right clapboard strengthen board	
60	Front beam sub-assembly	
62	Middle beam sub-assembly	
63	Left clapboard sub-assembly	
64	Right clapboard sub-assembly	
65	Right side plate	

Pro Series Ducted 7 kW outdoor unit (DONSR07B1)

This diagram is provided to assist you to identify parts if replacement is necessary. Contact your place of purchase or the manufacturer to enquire about parts, availability and/or service.



Ref.	Description	Part No.
1.1	Air outlet grille	
2	Axial flow fan	
3	Brushless DC motor	14127
4	Fan motor support	
5	Condenser assembly	
6	Left support	
7	Top cover assembly	14128
8	Partition board assembly	
9	Right clapboard assembly	
10	Water collector	
11	Big handle assembly	
13	Chassis assembly	
14	DC inverter rotary compressor	
20	4-way valve assembly	
20.1	Gas valve	
20.2	4-way valve	
20.3	Valve plate	
21	Liquid valve assembly	
21.1	Liquid valve	
21.2	Throttle valve	
21.5	Electronic expansion valve body	
24	Combination sensor	14129
25	Terminal board sub-assembly	14146
26	Electronic control box sub-assembly	14206
26.1	Electronic installing box	
28	Terminal board sub-assembly	14207
28.1	Electronic installing box	
28.2	Inverter control board sub-assembly	
28.3	Electronic control box cover	
99	Compressor wire sub-assembly	