

**Please note:** This is a generic instruction for NZ and Australia.

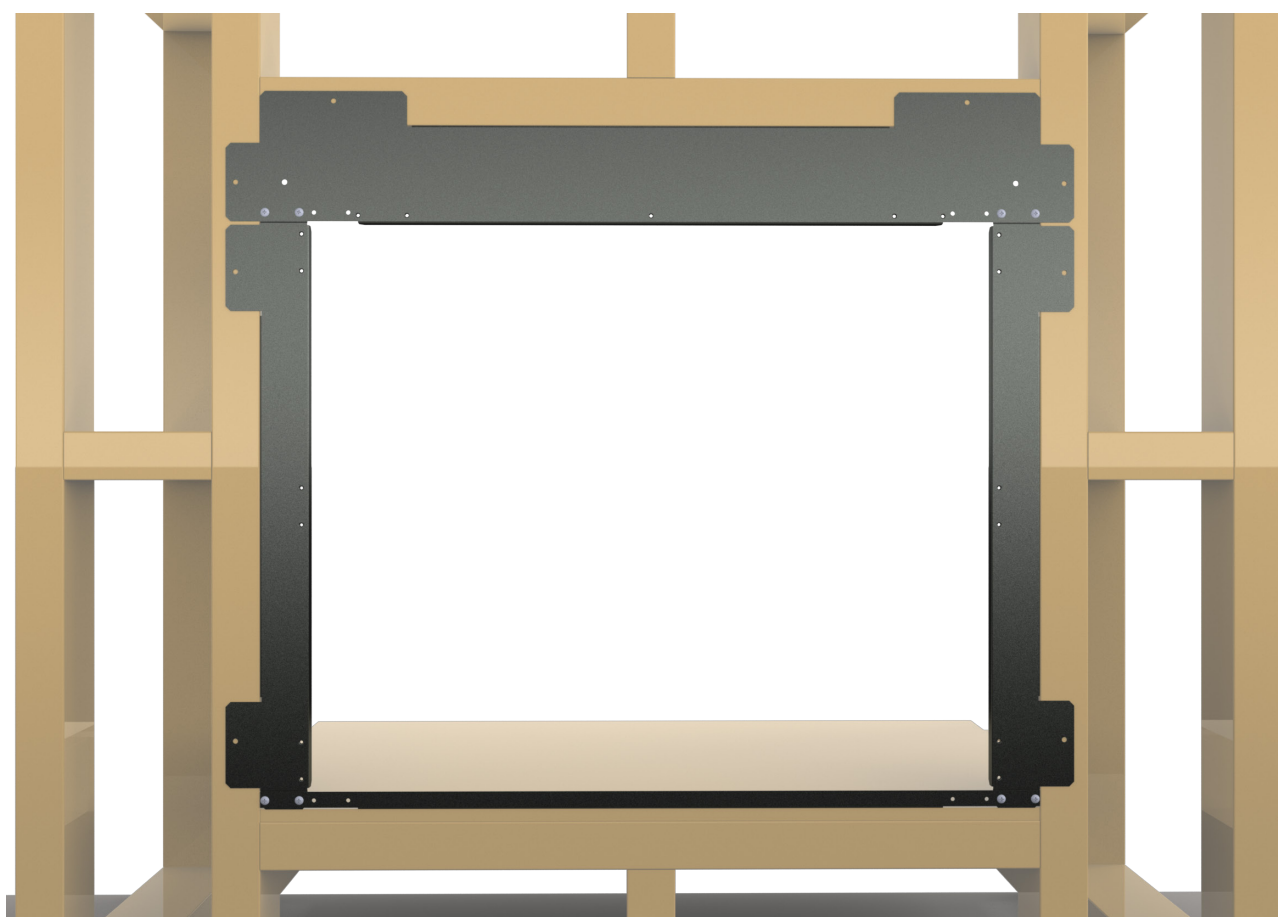
- NZ models are called Ember 600 and 700
- Australian models are called Rinnai 650 and 750



For mock chimney installations<sup>1</sup> the zero clearance frame is a mandatory requirement to ensure a safe installation for the homeowner. The zero clearance frame is fitted prior to final cladding. It is a universal frame, designed for different opening sizes.

The frame has three functions:

1. Maintains the required clearances to combustibles around the fire.
2. Keeps the enclosure square, and provides rigidity above the fire.
3. Allows for a thin profile frame, and for the engine to slip easily in and out of the enclosure.



### Zero clearance frame kit contents: (NZ - R2450, RA - R2450/A)

- Top bracket x 1
- Bottom bracket x 1 (keeps the enclosure square and aligned—removed at the end of the assembly process)
- Side brackets x 2
- Short screws x 8 (8 x 10 THPSZ Phil AB zinc) to assemble the frame
- Long screws x 9 (S/T 10 x 1 ¼ Pan Phil) for fixing the engine to the zero clearance frame

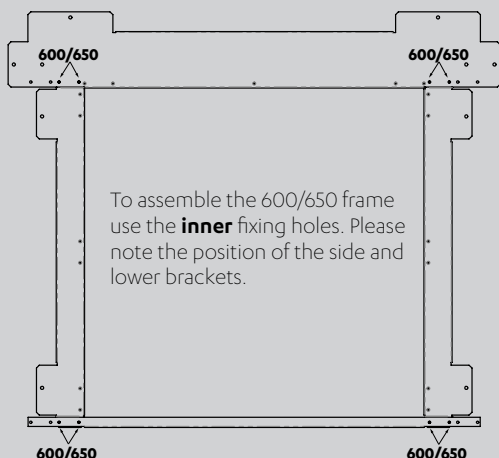
<sup>1</sup> Framing dimensions are detailed on p. 4

1

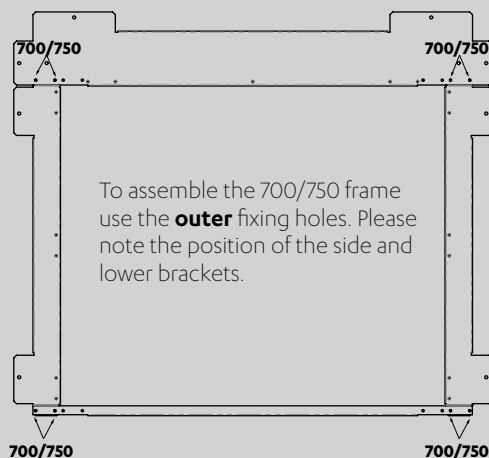
### Assemble the frame

Screw all four sides of the zero clearance frame together using the eight short screws supplied. The side brackets are installed BEHIND the top and bottom brackets.

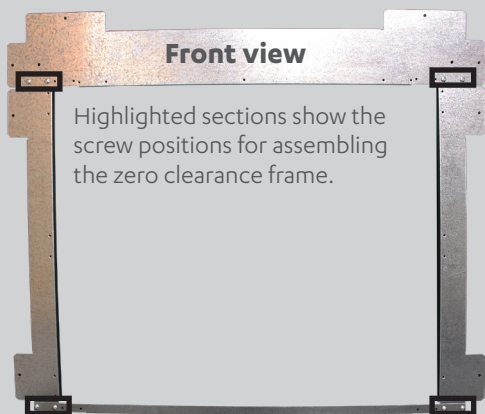
#### 600/650 assembly



#### 700/750 assembly



#### Assembly photos of a 700/750 frame



**Important**

The remaining nine longer screws in the zero clearance frame kit are for securing the engine to the zero clearance frame. **DO NOT** use these screws to secure the zero clearance frame to the enclosure.

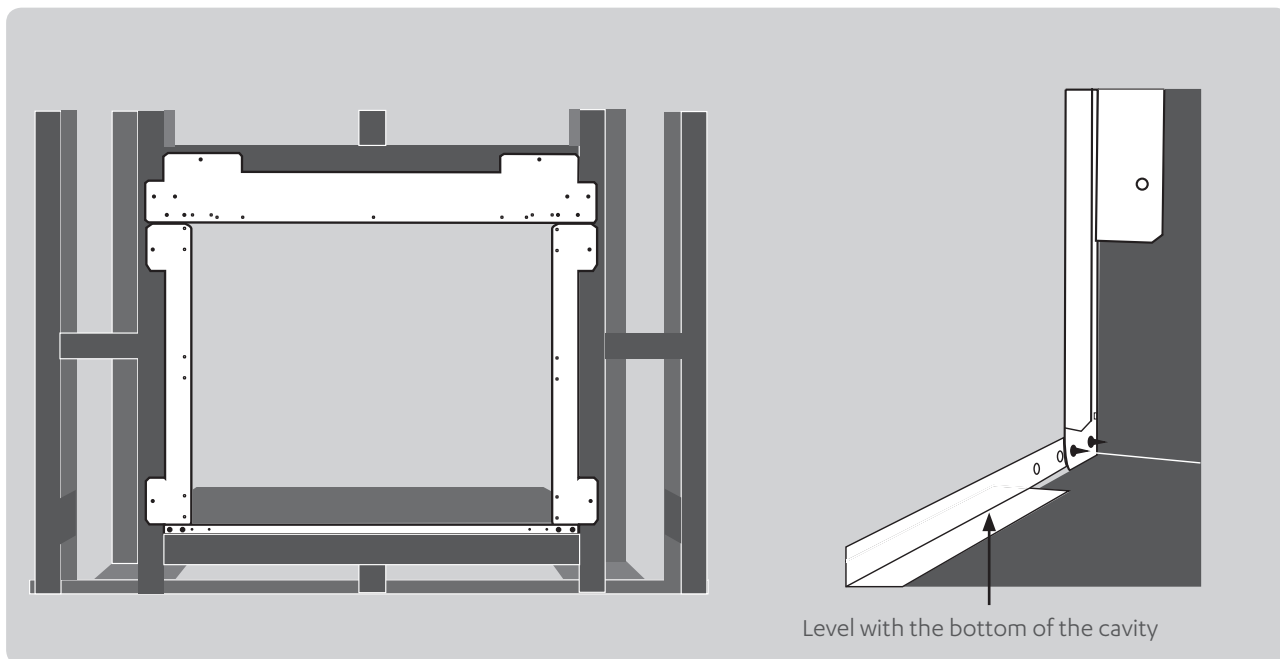
2

### Fix the frame to the enclosure

Fix the assembled frame to the enclosure, using suitable screws (not provided), by screwing through the outer fixing points, and through the folded edges of the side and top sections, refer p. 4 for more detail.



Please note that the bottom fold of the lower strip of the zero clearance frame **sits level** with the bottom of the cavity—refer to the image below.

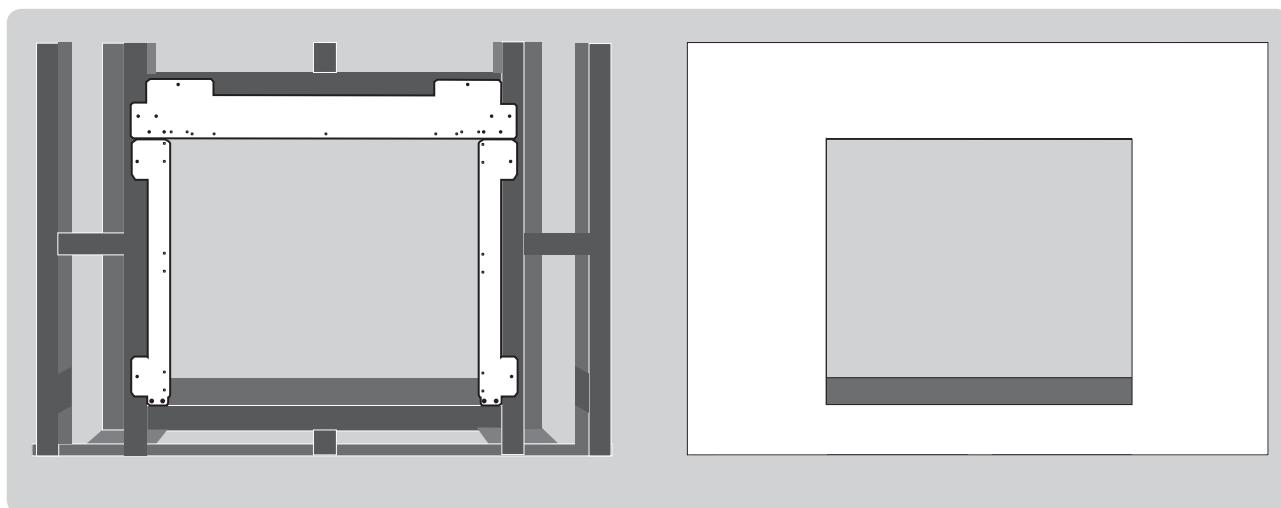


3

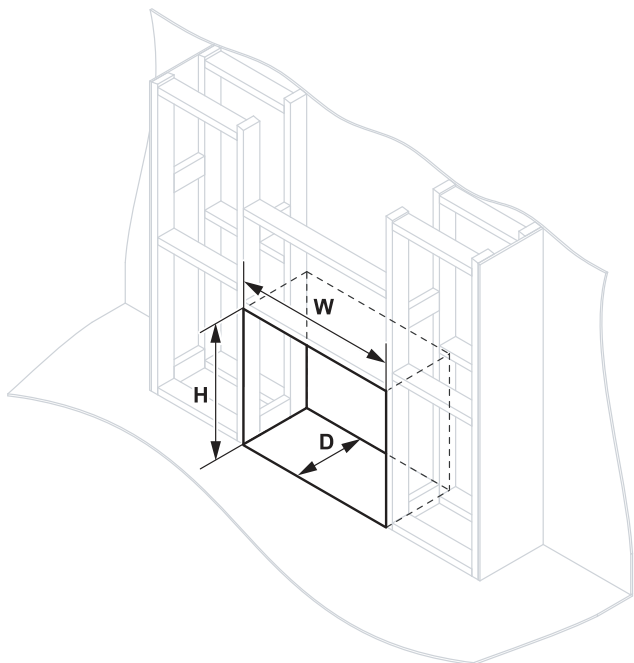
### Remove the bottom strip and install the wall lining

Once the zero clearance frame is securely fixed, remove the bottom strip. This must be done otherwise the fire frame will not fit on the appliance.

Install the wall lining and cut through using the internal edges of the clearance frame to cut the lining square and to the correct size.



## Mock chimney framing dimensions pre-zero clearance frame



	600/650	700/750
<b>W-width</b>	700 mm	800 mm
<b>H-height</b>	700 mm	700 mm
<b>D-depth</b>	400 mm min.	400 mm min.

## Assembled zero clearance frame in the 700/750 position

