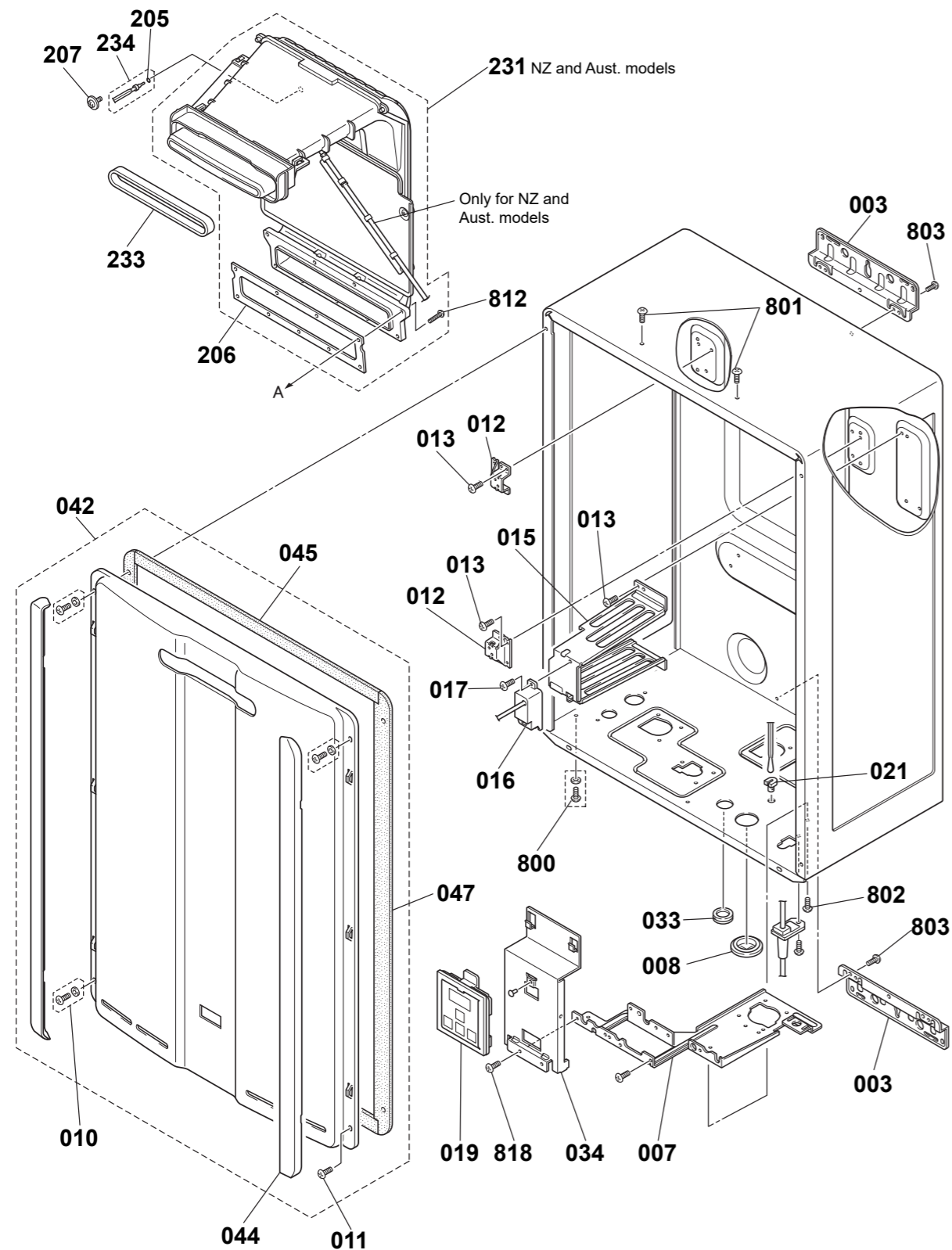
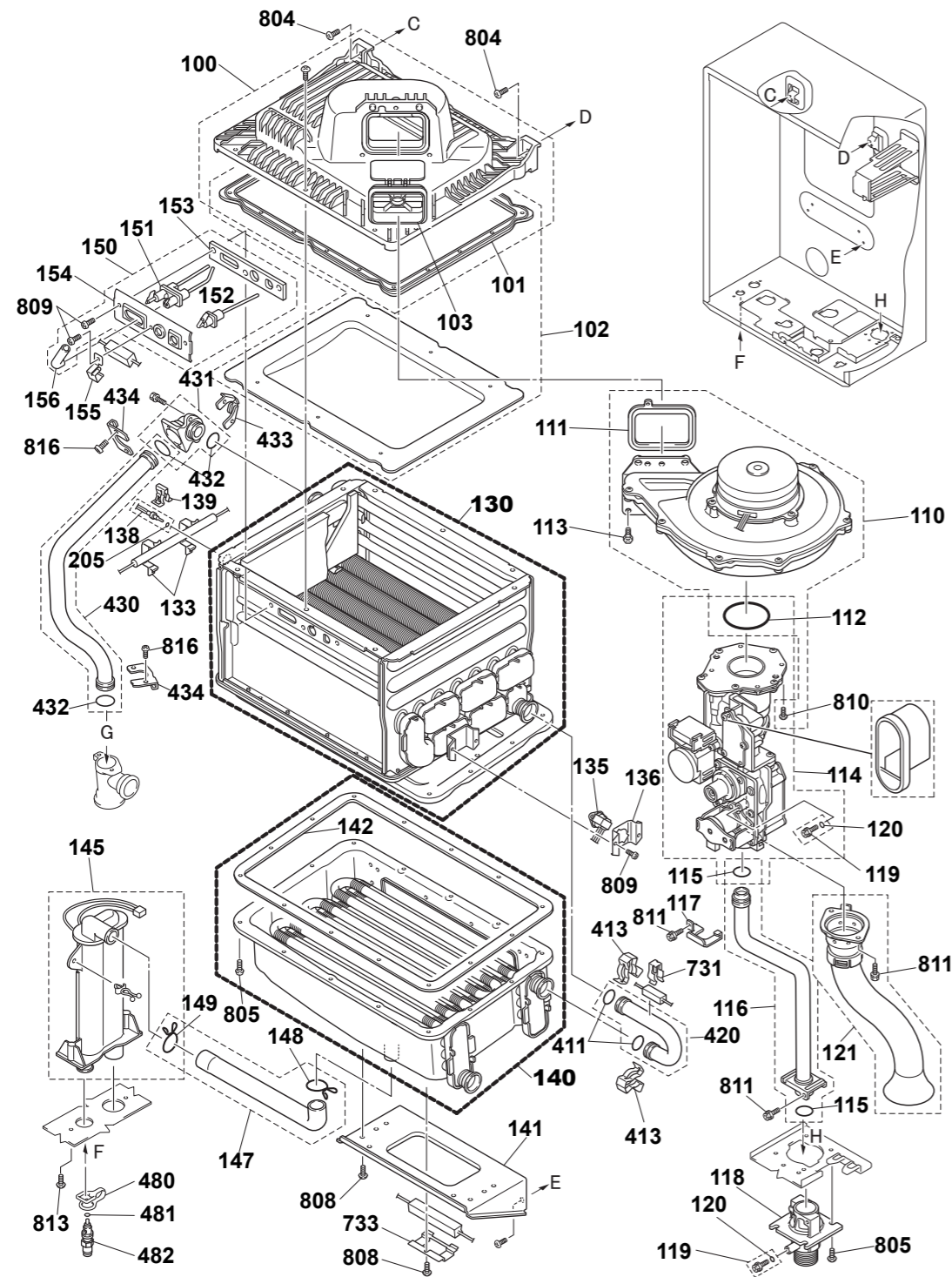


This diagram is provided to assist you to identify parts if replacement is necessary. Contact your place of purchase or the manufacturer to enquire about parts, availability and/or service.



Ref.	Description	Part No.
003	Wall bracket INF	3387
007	Connection reinforcement	40200
008	Rubber bush large	40201
010	Screw front panel (non-earth)	40301
011	Earth screw front panel	2897
012	HEX support bracket	40202
013	Screw HEX mount	40302
015	Igniter bracket	40203
016	Igniter assembly	40204
017	Tapping screw	2896
019	Inbuilt controller	40205
021	Temperature sensor cover	40109
033	Rubber bush small	40207
034	Inbuilt controller fixing plate	40208
042	Front panel complete assembly	40209
044	Front cover trim	40210
045	Gasket front panel top and bottom	5679
047	Gasket front panel side	5680
205	O-ring M010B-00024-004	40244
206	Exhaust inlet gasket	40245
207	Screw flue thermistor retainer	40303
231	Exhaust duct assembly	40246
233	Exhaust outlet gasket	40247
234	Exhaust duct thermistor	40248
800	Screw case left	40304
801	Wall bracket screw CP-30583	4767
802	Screw case right	40305
803	Truss screw INF front panel	2939
812	Screw flue outlet	40310
814	Screw flue backing plate retainer	40311
818	Screw control bracket retaining	40315

This diagram is provided to assist you to identify parts if replacement is necessary. Contact your place of purchase or the manufacturer to enquire about parts, availability and/or service.

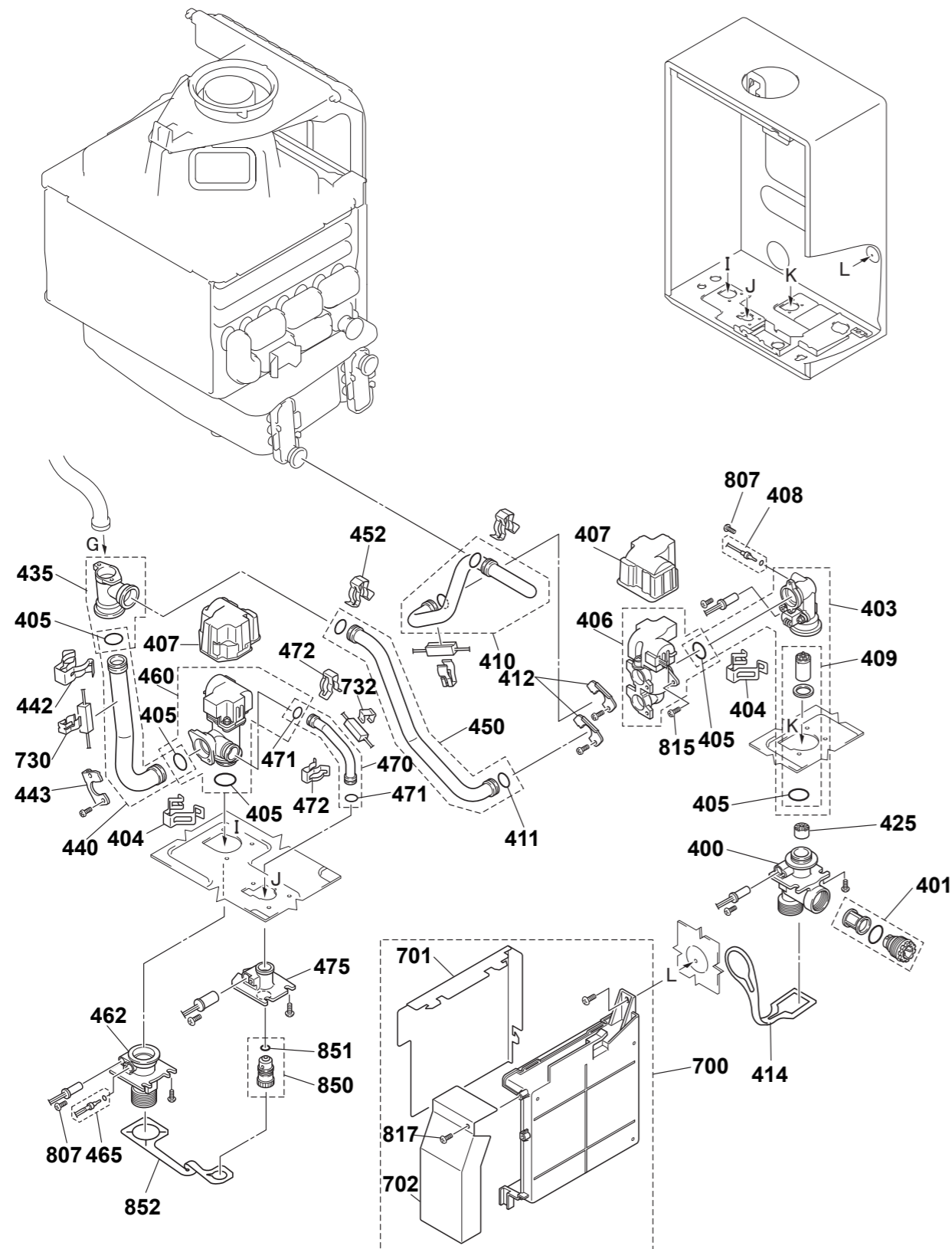


Ref.	Description	Part No.
100	Burner body ¹	40211
101	Burner gasket	40212
102	Burner service kit ¹ (incl. gaskets)	40213
103	Fan check valve	40214
110	Fan	40215
111	Fan gasket	40216
112	O-ring M10B-1-44	40217
113	Screw	4771
114	Gas valve	40218
115	O-ring M10B-1-16	3466
116	Gas pipe assembly	40220
117	Gas pipe retainer	40221
118	Gas inlet casting (incl. 115, 119, 120)	40222
119	Inlet test point screw	40223
120	O-ring M10B-13-4	2239
121	Air intake trumpet	40225
130	HEX upper ¹	40226
133	Frost protection clip	40227
135	Overheat switch	40228
136	Overheat switch bracket	40229
138	Upper HEX thermistor	40230
139	Upper HEX thermistor clip	40231
140	HEX lower ¹	40232
141	Secondary HEX support bracket	40233
142	HEX gasket	40234
145	Condensate trap (incl. 149, 480, 482)	40235
147	Condensate drain tube	40236
148	Condensate drain tube band top	5718
149	Condensate drain tube band bottom	5719
150	Electrode assembly	40237

Ref.	Description	Part No.
151	Sparker	40238
152	Flame rod	40239
153	Electrode packing (gasket)	40240
154	Electrode bracket	40241
155	Electrode frost bracket	40242
156	Electrode sleeve	40243
205	O-ring M010B-00024-004	40244
411	O-ring M010B-00024-014	40258
413	Quick clip	40259
420	HEX connecting pipe	40260
430	HEX outlet pipe	40261
431	Hot water outlet pipe joint	40262
432	O-ring M010B-00024-016	40263
433	Pipe retaining clip	40264
434	Fixing bracket	40265
480	Condensate plug band	40278
481	O-ring M10B-2-5	1234
482	Drain valve	5252
731	Heater clip	2032
733	Frost bracket HEX	40292
804	Screw burner case attachment	40306
805	Side cover screw	5738
806	Screw secondary HEX	40307
808	Screw flue support bracket	40308
809	Screw overheat thermistor retaining	40309
810	Manifold fixing screw	5740
811	Screw	2938
813	Truss screw	5242
816	Screw bypass retaining plate	40313

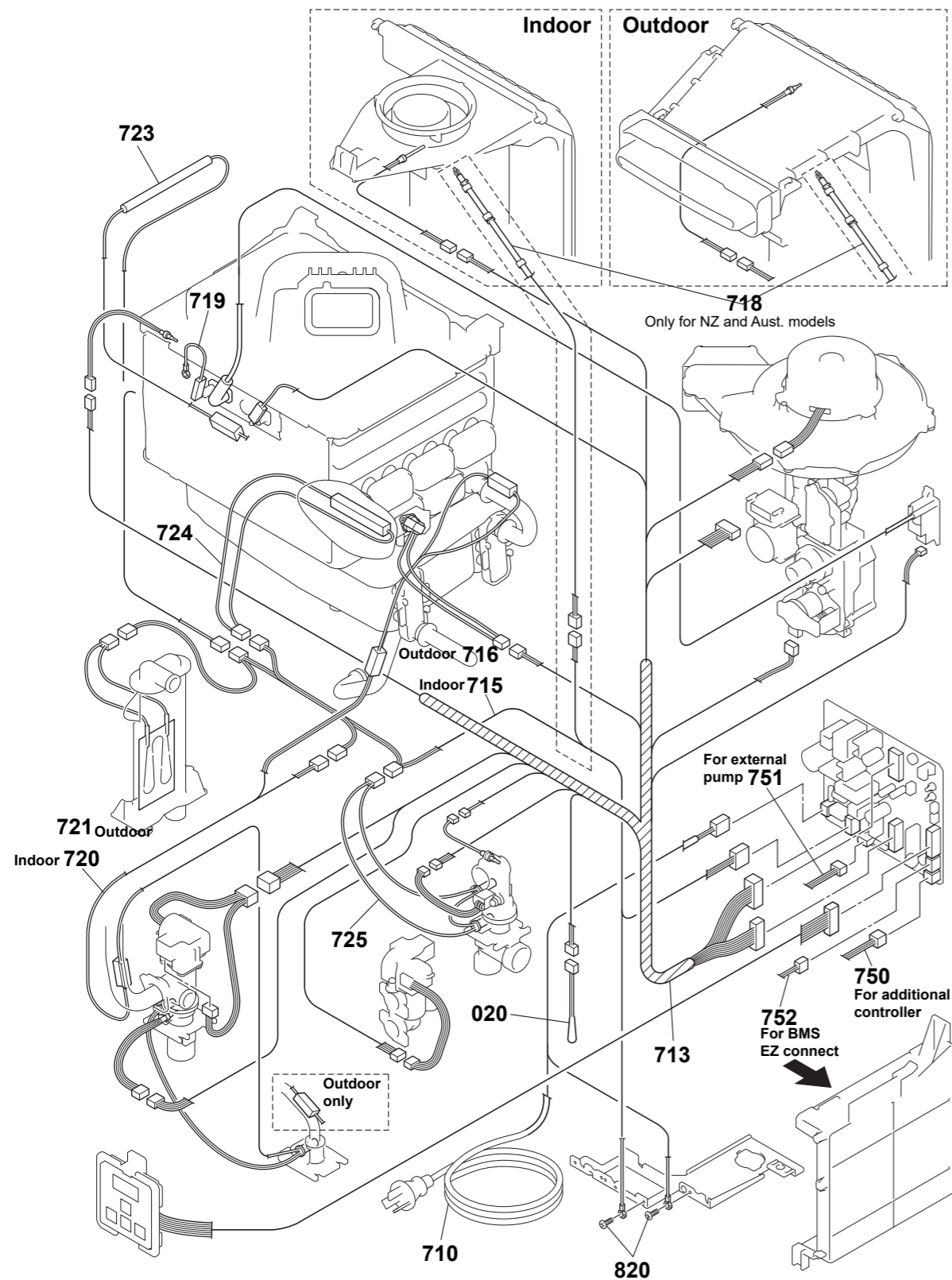
1 For more detail on these components, refer photos on page 5

This diagram is provided to assist you to identify parts if replacement is necessary. Contact your place of purchase or the manufacturer to enquire about parts, availability and/or service.



Ref.	Description	Part No.
400	Water inlet	40249
401	Incoming water filter	40250
403	Water flow turbine assembly	40251
404	Water inlet lock clip	40252
405	O-ring M010B-00024-018	40253
406	Bypass servo assembly	40254
407	Water flow servo cover	40171
408	Inlet water thermistor	40255
409	Water flow turbine	40256
410	Connecting pipe	40257
412	Stop bracket	3624
414	Plug band inlet	2927
425	Balancer	3487
435	Hot water outlet T joint	40266
440	Hot water outlet pipe	40267
442	Retaining clip	40268
443	Stop bracket	3948
450	Bypass pipe	40269
452	Bypass pipe clip	40270
460	Outlet servo	40271
462	Hot water outlet casting (incl. 205, 405)	40272
465	Water outlet thermistor	40273
470	Hot water bypass connecting pipe	40274
471	O-ring M010B-00024-010	40275
472	Hot water bypass pipe clip	40276
475	Pressure relief valve casting (incl. 471)	40277
700	PCB	40279
701	PCB cover side	40280
702	PCB cover front	40281
730	Anti frost heater clip	3536
732	Frost assembly clip	40291
807	Thermistor stop screw	3241
815	Screw bypass servo retaining	40312
817	Screw PCB front cover	40314
850	Pressure relief valve assembly (incl. 851)	40296
851	O-ring M010B-00018-007	40297
852	Plug band pressure relief valve	40298

This diagram is provided to assist you to identify parts if replacement is necessary. Contact your place of purchase or the manufacturer to enquire about parts, availability and/or service.



Ref.	Description	Part No.
020	External air temperature thermistor	40206
710	Power cord	40282
713	Sensor harness main	40283
716	Relay harness	40284
718	Thermal fuse	40285
719	Ignition earth wire	40286
721	Anti frost assembly	40287
723	Frost resistance primary HEX	40288
724	Frost resistance secondary HEX	40289
725	Frost resistance inlet water valve	40290
750	Remote control lead (pre-wired mini plug) (1 is supplied with each unit—located with the guides in a small plastic bag)	40293
751	Pump connection cable	40294
752	Error switch cable	40295
820	Screw earth pole	40316

