

Continuous Flow Water Heater Sideways Flue Diverter (SFD-04) Installation Instruction

GENERAL INFORMATION



Installation of water heater and accessories shall be in accordance with:

- Manufacturers Installation Instructions.
- Current AS/NZS 5601 Gas Installations.
- Local Regulations and Municipal Building Codes.

Installation, service and removal **ONLY** by an Authorised Person.

Continuous flow water heater to be installed in accordance with the 'Operation / Installation Manual' supplied with the appliance.

This Sideways Flue Diverter Kit (SFD-04) is designed to fit specific external Rinnai Continuous Flow Water Heater models. The compatible models are: Infinity Enviro 26 (REU-E2626W) and Infinity Enviro 16 (REU-E1620W).

This kit is **NOT** compatible with any other Rinnai or other manufacturers' appliance. For information regarding the applicable of Sideways Flue Diverter kits for superseded continuous flow water heater models, contact Rinnai.

Rinnai Sideways Flue Diverter kits are certified by the Australian Gas Association (AGA) as components of the water heater appliances with which they are compatible. For the certification number see the data plate on the appliance.

APPLICATIONS

Rinnai Sideways Flue Diverter kits are intended for fitting to Rinnai continuous flow water heaters installed on balconies, patios or similarly enclosed areas to facilitate free discharge of combustion products out of the enclosed area. This may not occur if the appliance is installed without the sideways flue diverter kit.

Rinnai external continuous flow water heaters mounted against a wall without the sideways flue diverter kit, will expel flue products in a horizontal direction outwards and away from the wall against which the appliance is mounted.

Fitment of the sideways flue diverter kit results in the flue products being expelled from the appliance in a sideways direction, along the wall as shown in Figure 1.

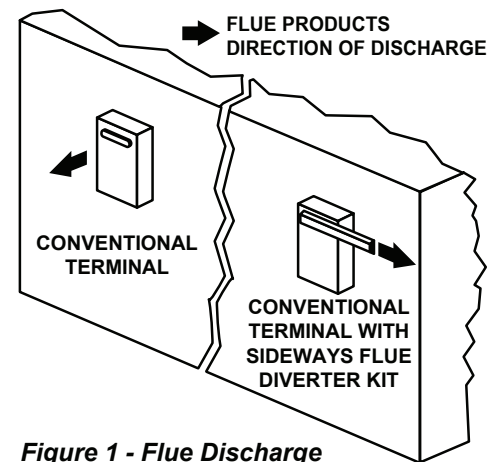


Figure 1 - Flue Discharge

INSTALLATION METHOD

Figure 2 (on page 2) shows the location conditions and clearances which apply when Rinnai continuous flow water heaters are fitted with the sideways flue diverter kit and installed on balconies, patios or similarly enclosed areas. Other relevant clearances in Figure 6.2 of AS/NZS 5601 continue to apply when the sideways flue diverter kit is fitted.



Fitment of the Rinnai Sideways Flue Diverter kit is suitable **ONLY** when all flue products result in being expelled freely into an above ground open-air situation with natural ventilation, without stagnant areas, where products of combustion are rapidly dispersed by wind and natural convection.

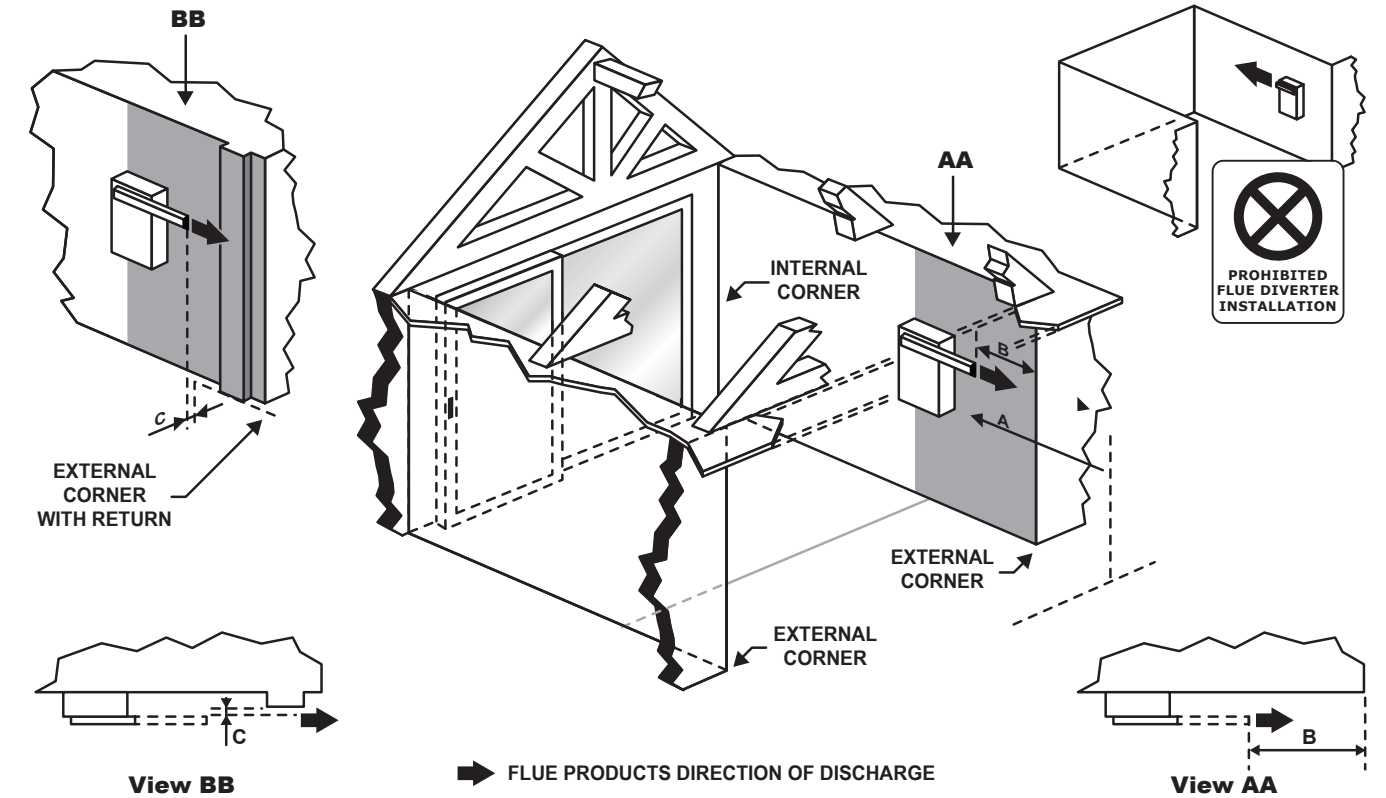
At the time of publication, this Rinnai Sideways Flue Diverter kit is **NOT** suitable for installation in any Rinnai recess box. Contact Rinnai for further information.

The Rinnai Sideways Flue Diverter kit is **NOT** compatible with any other manufacturers' recessing products.

Rinnai Sideways Flue Diverter kits are suitable for single water heater applications **ONLY**. They are **NOT** suitable for multiple installations of Rinnai continuous flow water heaters on one balcony, patio or similarly enclosed space.

The Rinnai Sideways Flue Diverter kits are certified for use only with the Rinnai continuous flow water heater models listed in this Instruction. They are **NOT** compatible with any other Rinnai or other manufacturers' appliances.

LOCAL CONDITIONS AND CLEARANCES

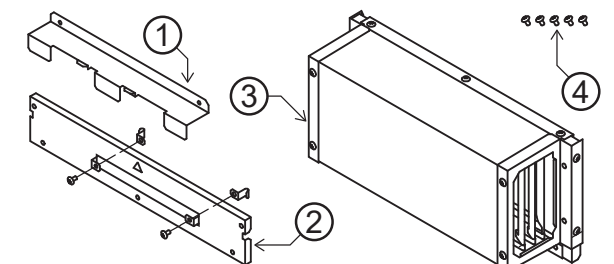


Ref.	ITEM	Clearances (mm)
A	Minimum horizontal clearance between the flue diverter and any obstructions in the direction of discharge.	500
B	Maximum horizontal distance between the open flue end of the diverter and the external corner of the mounting wall, in the direction of discharge. (See Note 1).	MAXIMUM 500
C	Clearance from a return on the external corner of the mounting wall.	20
Note: 1. If the horizontal distance between the flue diverter and the external corner of the mounting wall in the direction of discharge exceeds the maximum distance of 500mm, flue products may not be adequately dispersed from the enclosed area.		
IMPORTANT:		Exclusion Zone
1	Gas meters, electricity meters, fuse boxes, drain pipes, soil pipes, flue terminals, combustion air intakes, openable windows, non mechanical air inlets or any other openings with the exception of sub floor ventilation on the side of the appliance along the mounting wall in the direction of discharge from the flue diverter are not permitted in the area encompassed by the exclusion zone.	
2	The Rinnai sideways flue diverter is suitable for single water heater applications only. The sideways flue diverter is not suitable for multiple installations of Rinnai continuous flow water heaters on one balcony, patio or similarly enclosed area.	
3	Other relevant clearances in AS/NZS 5601 Figure 6.2 continue to apply.	

Figure 2 - Location Conditions and Clearances

List of Components

Part No.	Description	Quantity
1	Mounting Plate	1
2	Mounting Bracket	1
3	Flue Diverter Box Assembly	1
4	Flue Diverter Box Fixing Screws	5



DIVERTER ASSEMBLY AND INSTALLATION

(i) Preparation

1. Unpack the flue diverter components from the packaging.

IMPORTANT Inspect all components for damage and immediately report any damage or discrepancies to the Supplier. For safety and warranty purposes, items that may be damaged or incorrect **MUST NOT** be installed or operated under **ANY** circumstances.

(ii) Fitting of Mounting Plate

1. Remove the top two retaining screws (A) from the front cover of the water heater (B).
2. Fit the mounting plate (C) as shown to the front cover water heater (B) with the retaining screws (A) removed in step 1.

(iii) Fitting of Mounting Bracket

1. Loosen the two adjustment screws (E) that are located at each end of the flue discharge slot of mounting bracket (D).

This enables cup hooks (F) of the mounting bracket (D) to be positioned inside the lip of the appliance flue terminal (G).

2. With the orientation arrow Δ pointing upwards, align the cup hooks (F) with the flue lip (G) so that when the two adjustment screws (E) are re-tightened both will engage.

3. Tighten the two adjustment screws (E) until the cup hooks (F) and the flue lip (G) are firmly engaged and the bracket secured.

4. Apply the warning label to water heater, aligning the label to the right edge and 5mm below the flue spigot as shown.

NOTE The warning label is obscured once the sideways flue diverter is fitted to the appliance. This warning label reminds a service person to replace the sideways flue diverter after servicing activities.

(iv) Left or Right Handed Installations

IMPORTANT The sideways diverter can be set up to discharge flue products to either the right or left. Out of the box, the kit is assembled so that the discharge is to the right.

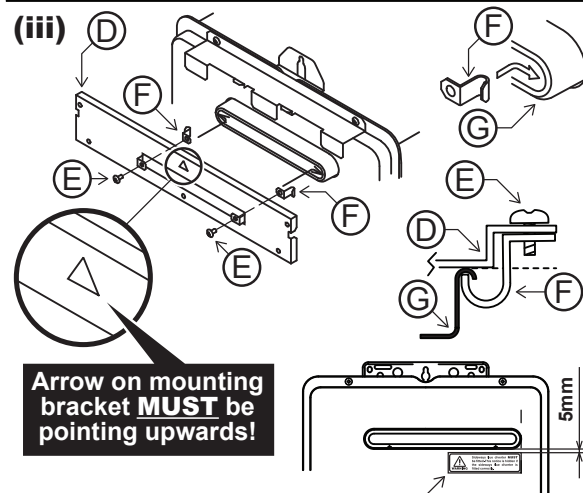
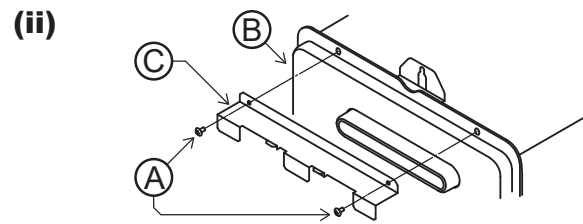
If a left handed discharge is required then follow the steps below, otherwise proceed to step (v).

The arrow \blacktriangleright in denotes the direction of flue product discharge.

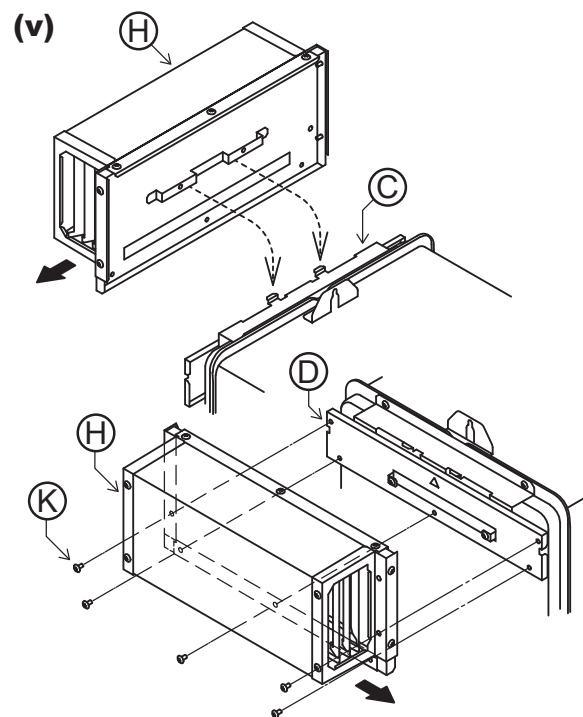
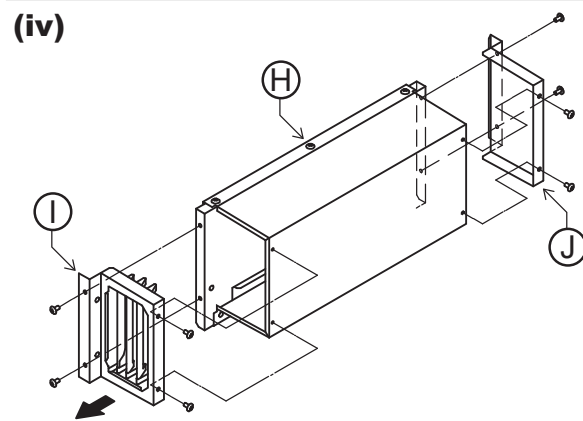
1. To set the direction of discharge remove the eight retaining screws that secure both the flue discharge terminal (I) and the blanking plate (J) to the diverter box assembly (H).
2. Swap the flue discharge terminal (I) and the blanking plate (J) to the opposite ends and then re-secure them in the new position with the eight retaining screws removed in step 1.

(v) Attaching Flue Diverter Box Assembly

1. Attach the flue diverter box assembly (H) onto the hooks of the mounting bracket (D) as shown right.
2. Secure the flue diverter box assembly (H) to the mounting bracket (D) with the five flue diverter box fixing screws (K) as shown.



Apply the warning label here

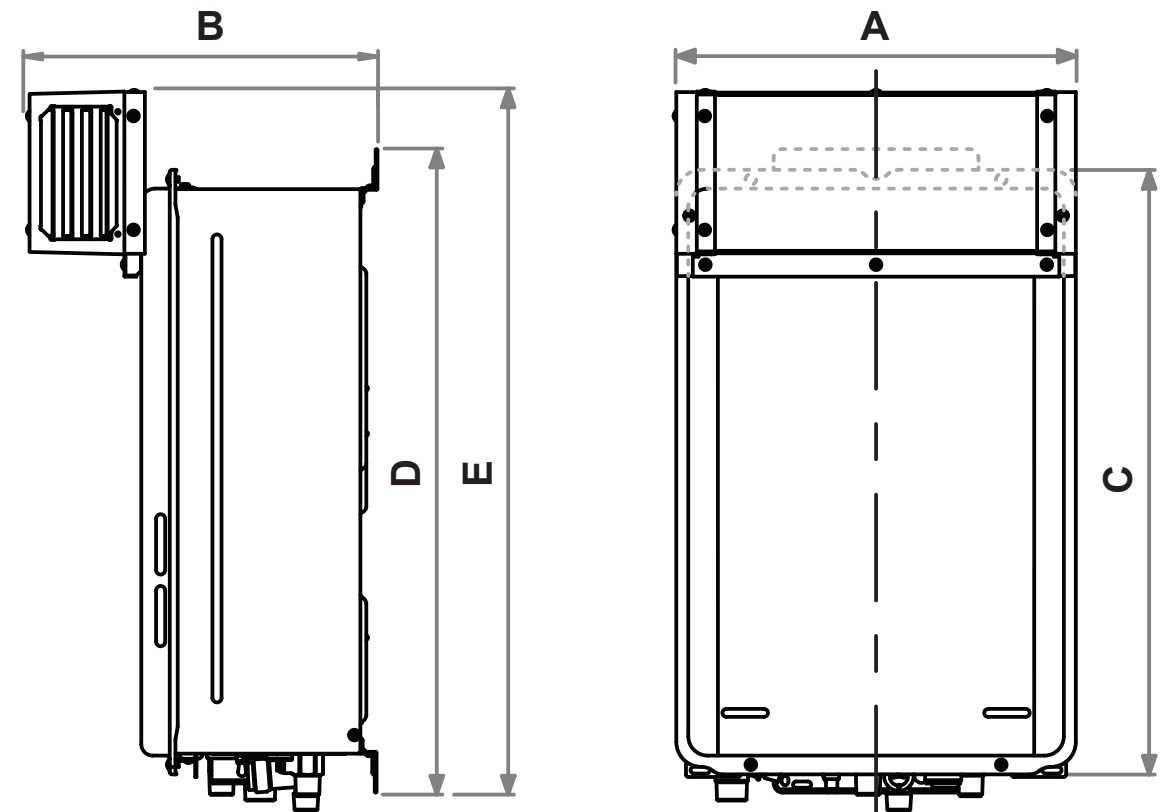


SFD-04 Key Installation Dimensions (mm)



Please note that the following water heater dimensions provided below are for the Australia water heater models: Infinity Enviro 26 (REU-E2626W) and Infinity Enviro 16 (REU-E1620W). The dimensions of models outside of Australia may vary. Please contact your local Rinnai supplier or service agent for dimensions specific to your appliance.

Compatible Models	Dimension				
	A	B	C	D	E
REU-E2626W / REU-E1620W	351	305	531	565	616



Please note that the contact details and the below are for installations in Australia only. For all enquiries outside of Australia please contact your local Rinnai supplier or service agent.

Rinnai Australia Pty Ltd

ABN 74 005 138 769
AU24752
100 Atlantic Drive, Keysborough, Victoria 3173
P.O. Box 460, Braeside, Victoria 3195
Tel: (03) 9271 6625
Fax: (03) 9271 6622

National Help Line
Tel: 1300 555 545* Fax: 1300 555 655*

Hot Water Service Line
Tel: 1800 000 340*

*Cost of a local call higher from mobile or public phones.

For Further Information visit www.rinnai.com.au
or email enquiry@rinnai.com.au

With our policy of continuous improvement, we reserve the right to change, or discontinue at any time, specifications or designs without notice.

