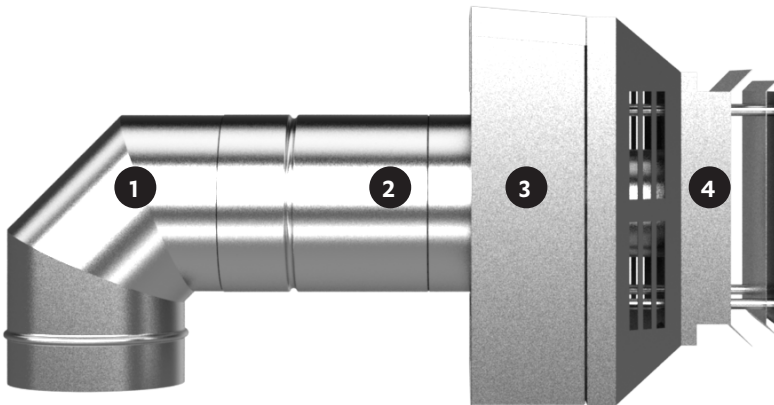


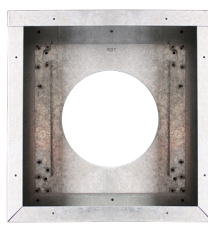
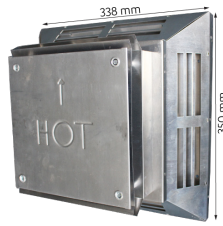
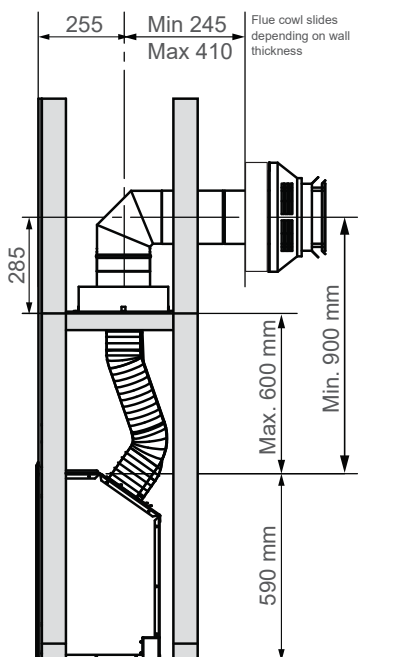


## Ember mock chimney horizontal flue kit (R3654) Installation guide



- |   |                          |
|---|--------------------------|
| 1 | 90 ° bend                |
| 2 | 300 mm flue pipe         |
| 3 | Horizontal flashing kit  |
| 4 | Horizontal wall terminal |

 <p><b>Flue elbow 90 °</b> Used to facilitate between vertical and horizontal flueing. Elbow swivels 360 ° at base. Once joined effective length reduces 35 mm to approx. 130 mm.</p>	 <p><b>Flue pipe 300 mm</b> Once joined nominal length reduces approx.35 mm. Cannot be cut to size.</p>	 <p><b>Horiz. flashing kit</b> Flashing components to join the internal flue to the outside flue. Refer horiz. wall terminal for installed dimensions. Box depth is 100 mm.</p>	 <p><b>Horiz. wall terminal</b> Aluminium flue terminal required for all horizontal terminations. Depth with flashing kit installed is 252 mm.</p>
---	---	--	--



### Important notes

For the horizontal flue terminal to comply with the required flue clearances, and to fit under a 2.4 m eave, the maximum the fire can be installed above the floor is 400 mm. Check clearances first before installation.

The horizontal flue run must have a 20 mm rise for every 1 m towards the flue termination. Never allow the flue pipe to run downwards towards the flue terminal. A downwards slope can trap heat and become a fire hazard.

These instructions are a guide only and should be used in conjunction with the cladding suppliers documentation and E2/AS1. It is not intended as an instruction to ensure weathertightness. Rinnai accepts no responsibility for building weathertightness issues arising from installation of a Rinnai flue system.

# Installing the ember adaptor

Connect the Ø 100 mm exhaust flue and the Ø 75 mm inlet flue to the colinear to coaxial adaptor—the larger diameter flue pipe is for the exhaust. Secure both flues to the adaptor firmly with the flue clamps.

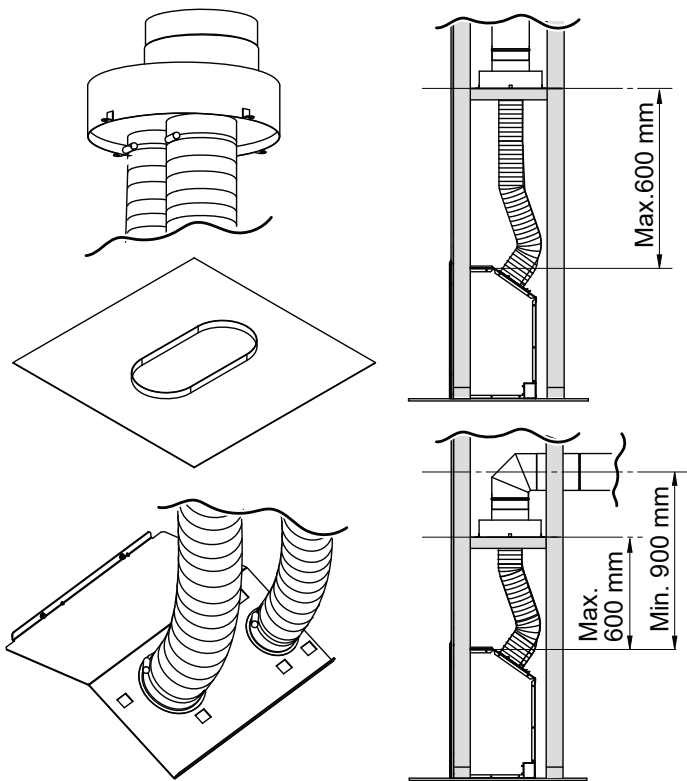
Install the ember adaptor mounting plate with the flange fold upwards. Feed the flexi-flues through the mounting plate and down to the enclosure opening, ensuring the exhaust flue is on the right (when viewed from the front of the opening).

Secure the colinear to coaxial adaptor to the coaxial mounting plate.

Once the flues are accessible from the opening, the adaptor and other flue components can be secured in place.

At the enclosure opening attach both flues to the engine spigot plate. Secure in place using the flue clamps. This also needs to be screwed/riveted in place to stop any movement of the flue.

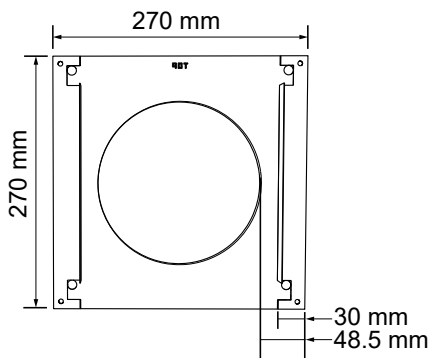
If pre-fitting the flue prior to the Ember being delivered, leave sufficient lengths of flexi-flues within the enclosure opening.



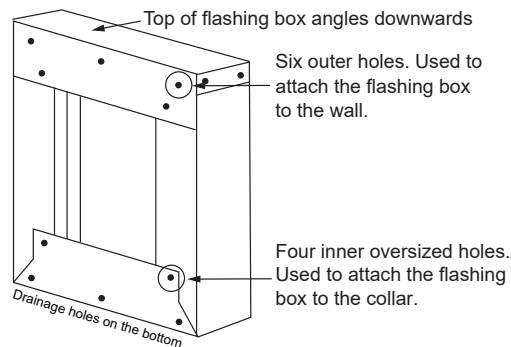
# About the flashing kit

The flashing kit is designed to maintain required clearances to combustibles, and to join the internal flue to the outside flue terminal—to provide a weathertight seal in horizontal flue installations. For new buildings the flashing kit should be installed at the same time as the framing, building wrap, and cladding.

Flashing collar with 'top' mark



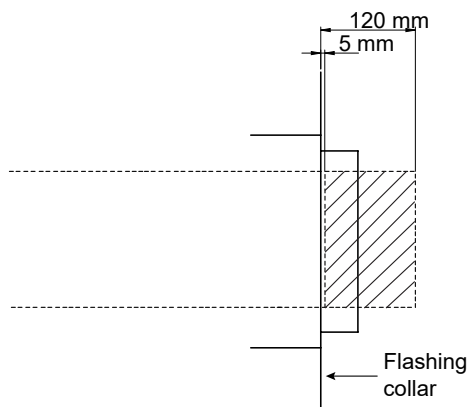
Flashing box, drainage holes on the bottom



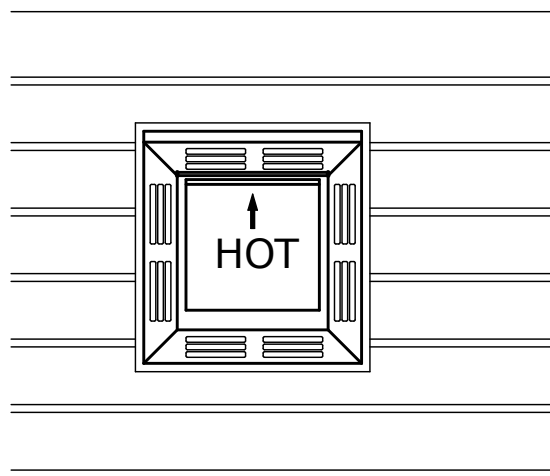
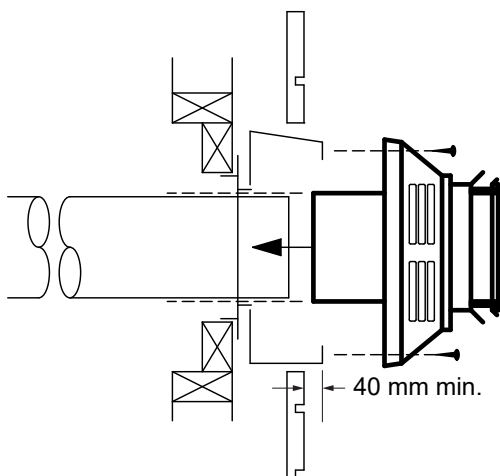
\*\* Photos of the flashing collar and box can be viewed on the last page \*\*

# Installation overview

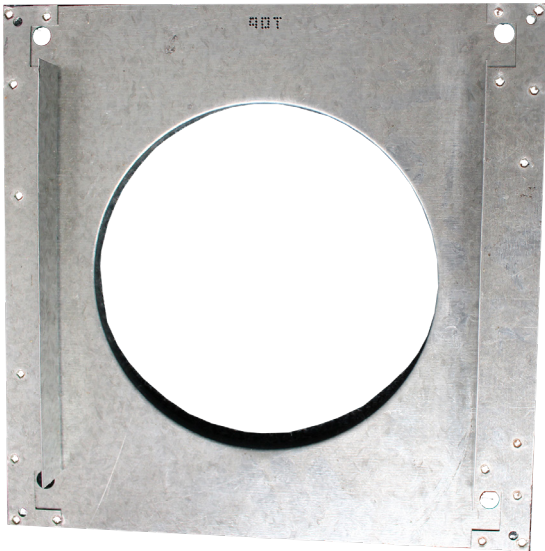
- 1 Build framing**  
Build framing and blocking to support the flue and flashing kit.
- 2 Attach flashing collar**  
Attach the flashing collar—upstand facing outside and 'top' mark in the right position.
- 3 Attach the flashing box**  
Using the four oversized inner holes, attach the flashing box to the flashing collar with the screws provided. Apply a suitable sealant between the flashing collar and box.
- 4 Seal penetration**  
Seal penetration on all sides.
- 5 Cladding**  
Fix cladding to the building. For a cavity construction leave a 5 mm gap at the top of the flashing box for drainage. Ensure distance from cladding to flashing box as shown below.
- 6 Install horizontal flue**  
Install the horizontal flue. In order for the flue and terminal to engage correctly the horizontal flue must finish within the shaded area shown..



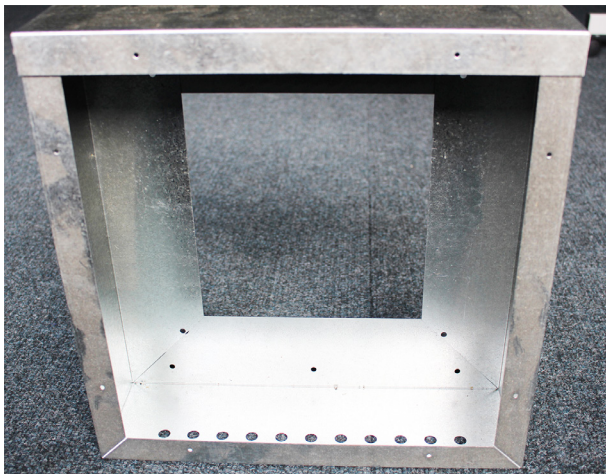
- 7 Install the horizontal wall terminal**



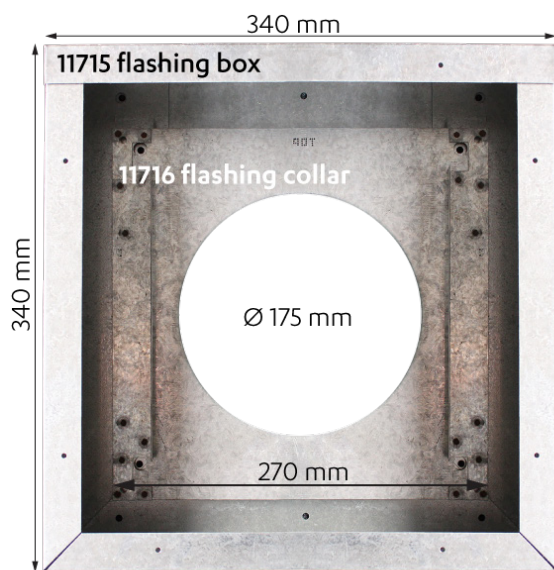
Drainage holes, refer photo on next page, need to be OUTSIDE of the wall cladding



Flashing collar, note 'top' mark



Flashing box, note drainage holes in the bottom



Horizontal flashing kit with dimensions