

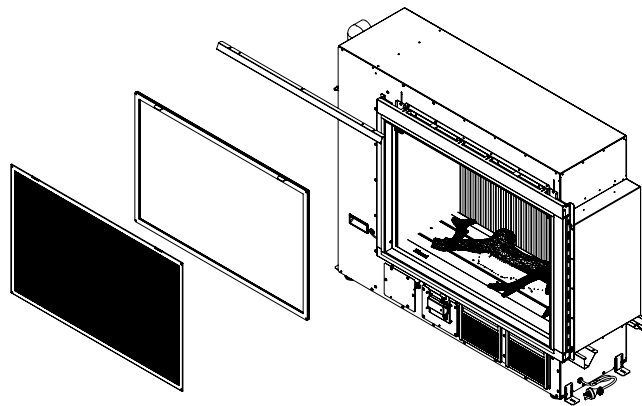
## Linear collection

### Mesh dress guard installation



Ensure the gas and power are disconnected before commencing any work as installation requires the glass panel to be removed

No fixing required. The mesh guard, via two top slots, sits over the glass frame tabs, with the lower section secured in the same channel that holds the glass front.



#### 1. Remove the glass front

The glass front sits in a narrow channel at the bottom of the fire and is held in place by glass retainer latches positioned at the top, either side of the unit (the 1500 model has an extra glass retainer latch in the center).

In late 2022 modifications were made to the upper louvre so it clipped in place as opposed to being screwed in place. Step a will depend on which model you have.

a. Louvre screwed in place

To remove the glass, use a screwdriver, undo and remove the three screws holding the louvre in place—put the louvre to one side. The image on p. 2 identifies the different components.

Louvre clipped in place

To remove tilt and rotate the bottom edge out, and remove the louvre—place to one side.

- b. Push the top glass retainer latches up and slightly to one side to release the top section of the glass.
- c. Using the frame tabs at the top of the glass frame, lift up and gently slide to the right and rotate the glass until the left section comes free, then move the glass panel to the left to remove the right section.

#### 2. Slide the mesh guard onto the glass frame tabs

Align the two mesh guard slots to the glass frame tabs, and slide the mesh over the glass panel.

#### 3. Reinstall the glass panel complete with guard

Reinstall the glass panel with the mesh guard in the reverse order outlined in step 1. When you push down the glass retainer latches, due to the extra thickness, you may need to use some tension and pull them out slightly so they fit over the glass and mesh.



## Linear collection

### Mesh dress guard installation

#### Removing the glass panel

