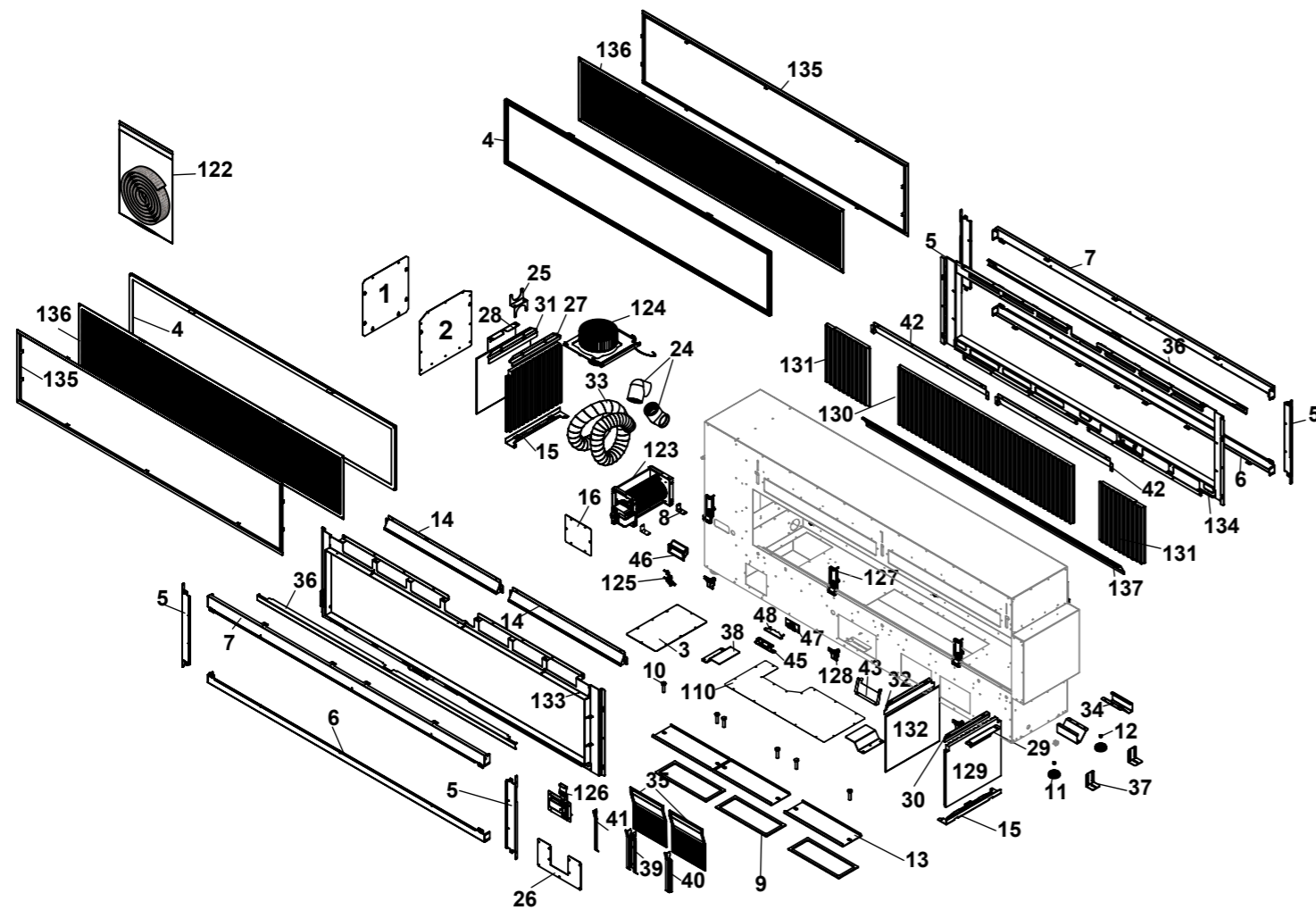


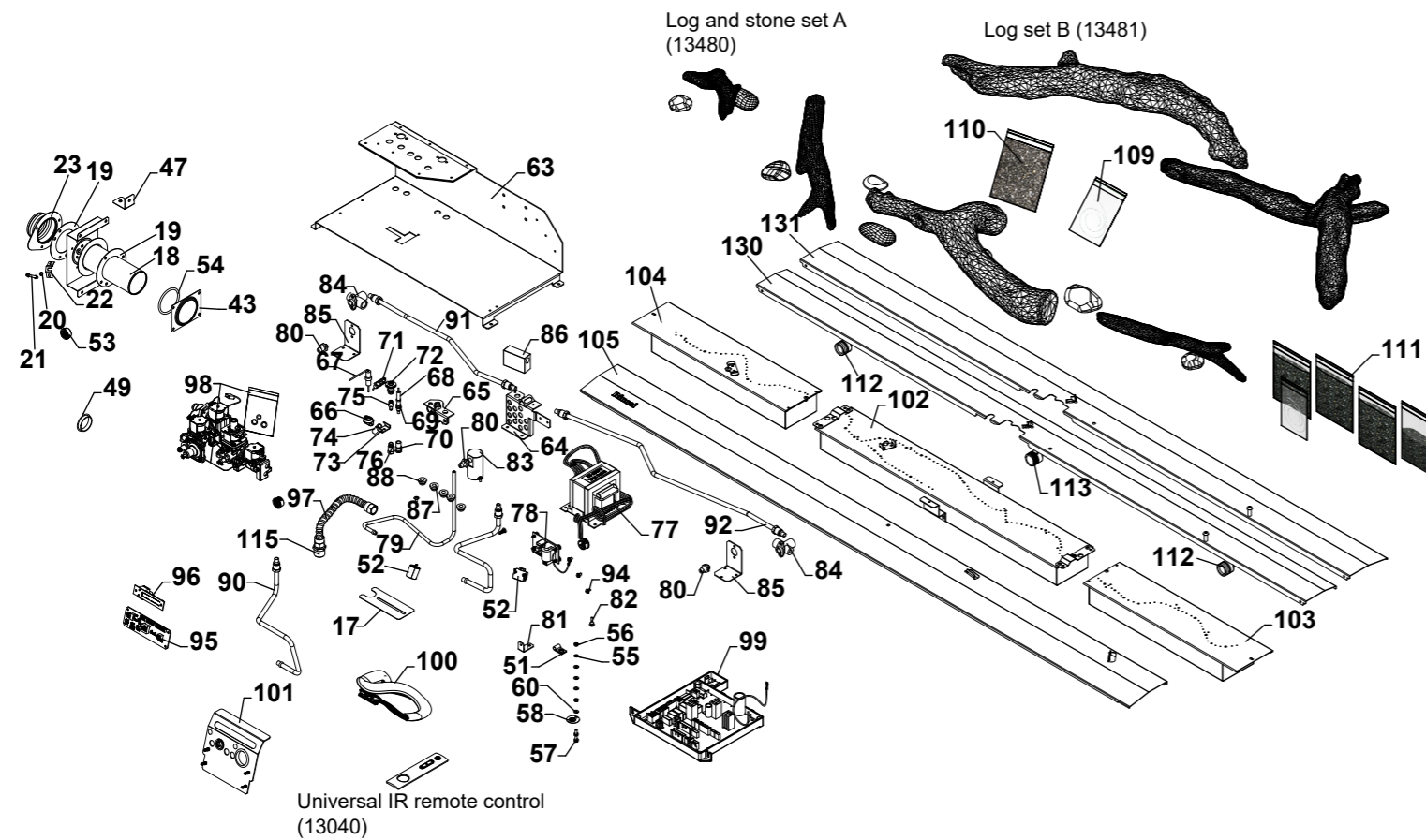
This diagram is provided to assist you to identify parts if replacement is necessary. Contact your place of purchase or the manufacturer to enquire about parts, availability and/or service.



Ref.	Description	Part No.
1	Panel fan access hatch A	13317
2	Panel fan access hatch B	13509
3	Panel access convection fan	13319
4	Assembly glass frame	13450
5	Panel wallboard support side	13516
6	Panel wallboard support bottom	13527
7	Panel wallboard support top	13526
8	Bracket fan holder	13311
9	Gasket pressure relief	13330
10	Pin brass pressure relief	13352
11	Rubber foot assembly	1610
13	Panel pressure relief flap	13312
14	Panel air diverter out black	13315B
15	Panel board support end	13327F
16	Panel access convection fan front	13321
24	Air inlet elbow B	4328
25	Bracket flue lock	13398
26	Panel access inlet	13328
27	Panel ceramic holder LH painted	13355F
28	Panel ceramic spacer LH	13356
29	Panel ceramic spacer RH	13358
30	Panel ceramic retainer RH painted	13359F
31	Panel black magic retainer LH painted	13363F
32	Panel black magic retainer RH painted	13374F
33	Air inlet hose	10349
34	Panel handle spacer	13339
35	Filter front assembly galaxy	13343GL
36	Guide panel filter centre	13344
37	Panel top louvre black	13531B
38	Bracket seismic restraint	13384
39	Panel burner support	13415
40	Guide panel filter LH	13346
41	Guide panel filter RH	13345
42	Panel control PCB bracket locator	13402
44	Handle clip in plastic	B021363
45	PCB IR receiver	13419
46	Lens IR acrylic	13416
-	Tube silicone black	12685
106	Panel access gas convection	13320
117	Glass seal tape 4 m replacement kit	R7012

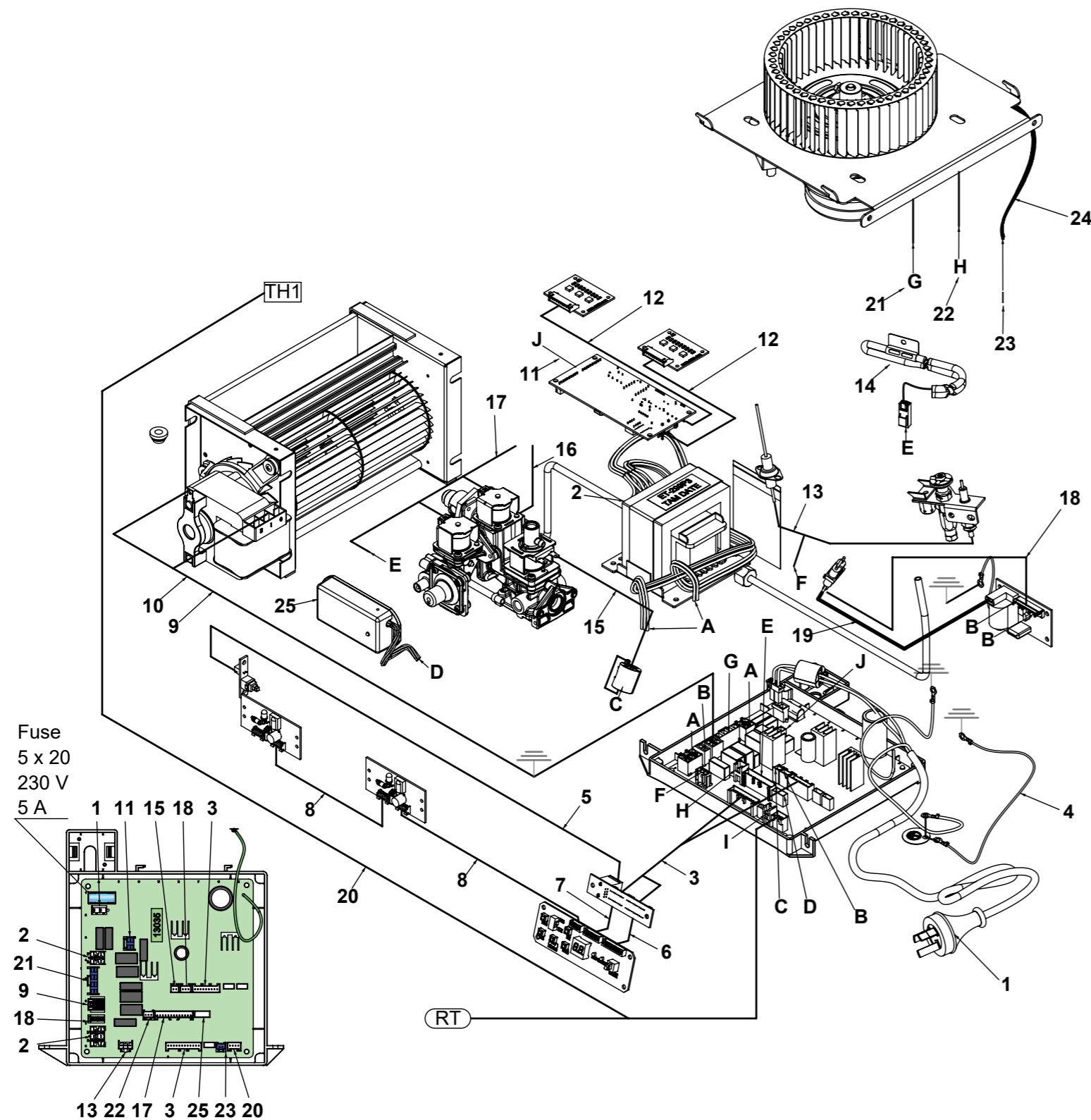
Ref.	Description	Part No.
118	Fan combustion	13680
119	Fan convection	13681
120	On/Off switch assembly	13686
121	Wi-Fi receiver assembly	13687
122	Glass latch assembly top	13688
123	Glass latch assembly bottom	13689
124	Ceramic end panel (x1)	13692
125	Ceramic back panel	13693
126	Ceramic infill panel	13694
127	Magic black side panel (x1)	13697
128	Lip assembly IR bracket front	13702
129	Lip assembly IR bracket back	13703
132	Trim outer (accessory)	R2917
133	Mesh assembly (accessory)	R2914
134	Panel ceramic holder back black	13525F

This diagram is provided to assist you to identify parts if replacement is necessary. Contact your place of purchase or the manufacturer to enquire about parts, availability and/or service.



Ref.	Description	Part No.	Ref.	Description	Part No.
17	Panel inlet pipe cover	13331	83	Injector block	11530
18	Rear air inlet	10236	84	Injector block A+B	7952
19	Packing rear air inlet	10238	85	Panel injector block	13332
20	O-ring M10B-13-4	2239	86	Gas tube splitter	13414
21	Tube rear air pressure	10492	87	Grommet silicone Ø4 hole red	10293
22	Clamp rear air inlet pressure tube	10493	88	Grommet silicone 2 Ø1.8 hole black	10294
23	Air inlet adaptor A	10344	90	Gas supply tube outer 1st	13436
43	Panel air inlet seal plate	13532	91	Gas supply tube 2nd LH	13437
47	Bracket TH1 V2	13900	92	Gas supply tube 2nd RH	13438
49	Grommet 22-PPG32	11937	94	Screw earthing	9143
51	Power cord clamp	9552	95	PCB display	10253
52	Ferrite clamp	13004	96	Interface board	12494
53	Insulating bush	10658	97	Flextube 3/8 x 8 CW 5/8-18 nuts	7835
54	O-ring M10B-4-49	4850	98	Gas control (with o-ring pack)	13683
55	Washer spring M4 ZP	9233	-	Gas control o-ring M10B-1-6 (x1)	6308
56	Nut N4 ZP	9186	-	Gas control o-ring M10B-1-8 (x2)	6642
57	Screw M4 x 25	9076	99	PCB	13150
58	Tag earth symbol	11269	100	Harness control panel CW flex	13685
60	Washer flat M4 ZP	9231	101	Control PCB holder	13704
63	Shelf gas assembly control	13364	102	Burner assembly centre black	13464F
64	Bracket pilot	12824	103	Burner assembly RH black	13465F
65	Pilot body top convertible	7870	104	Burner assembly LH black	13467F
66	Frame rod bracket	3068	105	Panel burner front surround painted	13454F
67	Flame rod	12620	109	Glowing ash 3 g (wire wool)	13476
68	Flame rod	7520	110	Vermiculite black (approx. 3 cups/0.75L)	16064
69	Spacer electrode pilot	7902	111	Media modern (glass)	R2905
70	Electrode nut ETR	7900	112	Aeration sleeves LPG LH RH	13094
71	Double electrode	10265	112	Aeration sleeves NG LH RH	13093
72	Pilot convertible hood 3-flame	10272	113	Aeration sleeve main NG	13340
73	Electrode clamp universal control	13043	130	Panel burner surround back with pin single-sided	13710
74	Silicone tube 9.5 x 6.4	12931	131	Panel burner surround back with pin double-sided	13711
75	Injector pilot LPG 35	7873	-	Injector LPG LH RH 0.95	12735
75	Injector pilot NG 62	7795	-	Injector NG LH RH 1.60	11535
76	Olive 6 mm	7519			
77	Transformer	10258			
78	Igniter	13006			
79	Gas supply tube pilot	13431			
80	Injector main LPG 1.4	12507			
80	Injector main NG 2.3	12730			
81	Bracket PCB mount	13366			
82	Self fix rubber bumper 25-TNF (rubber)	11304			

This diagram is provided to assist you to identify parts if replacement is necessary. Contact your place of purchase or the manufacturer to enquire about parts, availability and/or service.



Ref.	Description	Part No.		
		800	1000	1500
1	Power cord universal control	13042		
2	Transformer	10258		
3	Harness control panel	10284		
4	Wire earth combustion fan	10387		
5	Harness on/off	13379		
6	Harness 12-way control panel	12492		
7	Harness 9-way control panel	12496		
8	Harness receiver	12656		
9	Harness fan - PRE Feb 2020	12839		
9	Harness fan - POST Feb 2020	13407	13407	13101
10	Harness fan extension	N/A	N/A	13351
11	Harness control PCB LED FT only	13333	N/A	N/A
12	Harness LED FT only	13334	N/A	N/A
13	Harness flame rod	13008		
14	Thermal fuse	13011		
15	Harness POV	13012		
16	Harness MV relay	13013		
17	Harness TFMV 1-burner	13014	13014	N/A
17	Harness TFMV 2-burner	N/A	N/A	13010
18	Harness ignition	13031		
19	HT lead universal control	13089		
20	Harness RT OH1	13483		
21	Harness combustion fan	10289		
22	Harness combustion fan speed	10480		
23	Harness combustion fan thermistor fly	10507		
24	Harness thermistor combustion fan	13559		
25	Wi-Fi receiver	13038		
-	Power cord holder	7845		