

# Rinnai

## Linear collection Peninsular pack installation



A series of black metal panels designed to fit around the fire to create a peninsular design on a double-sided model, as shown in the image to the right.

Each kit is comprised of three sections, two flat sections and one folded endcap—powder coated black.

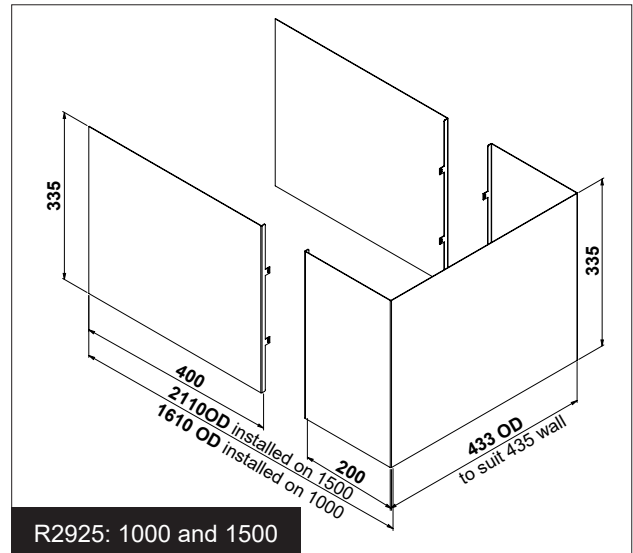
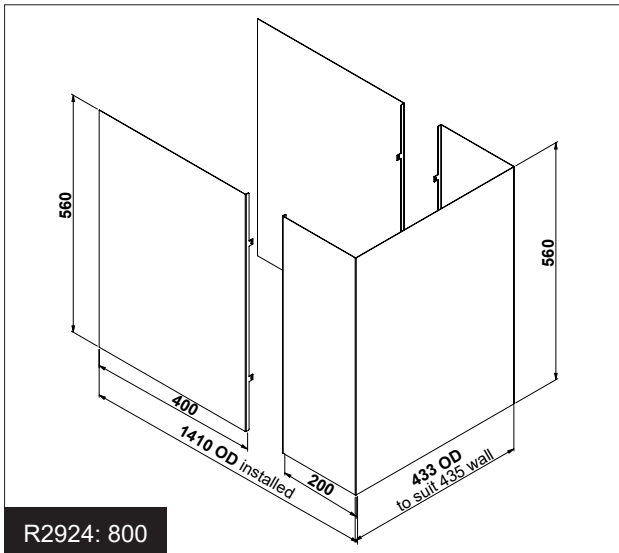
Model	200 mm kit
800	R2924
1000/1500	R2925



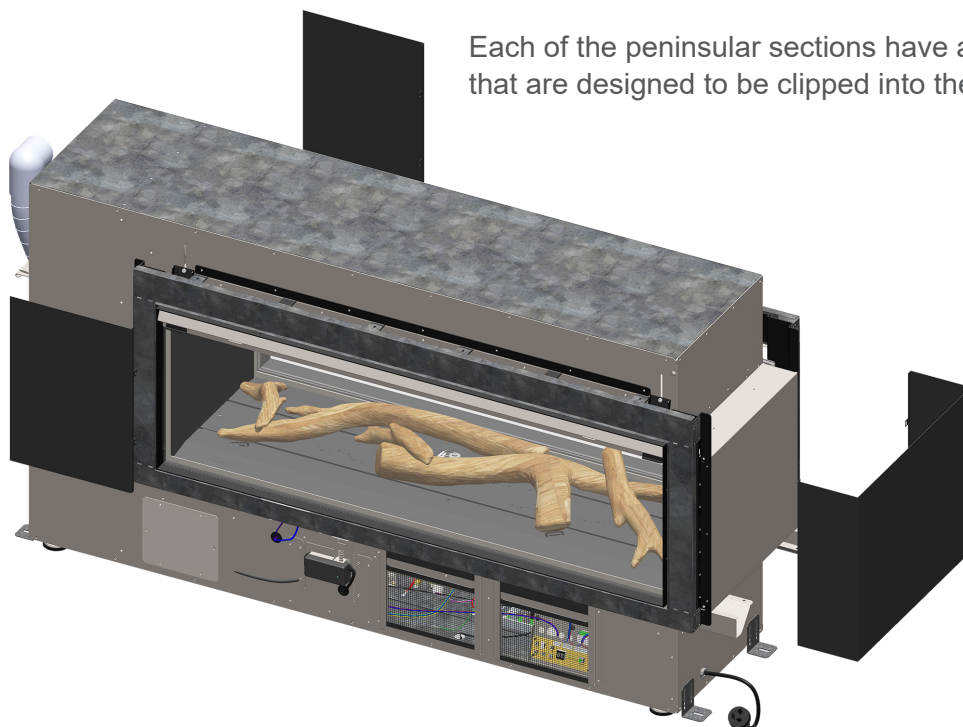
### Custom kits

We also have the ability to manufacture custom sizes, which are made to order, please contact Rinnai for more information. If you have a custom kit refer to the drawings and adapt as necessary.

### Kit dimension drawings (all dimensions are in mm)



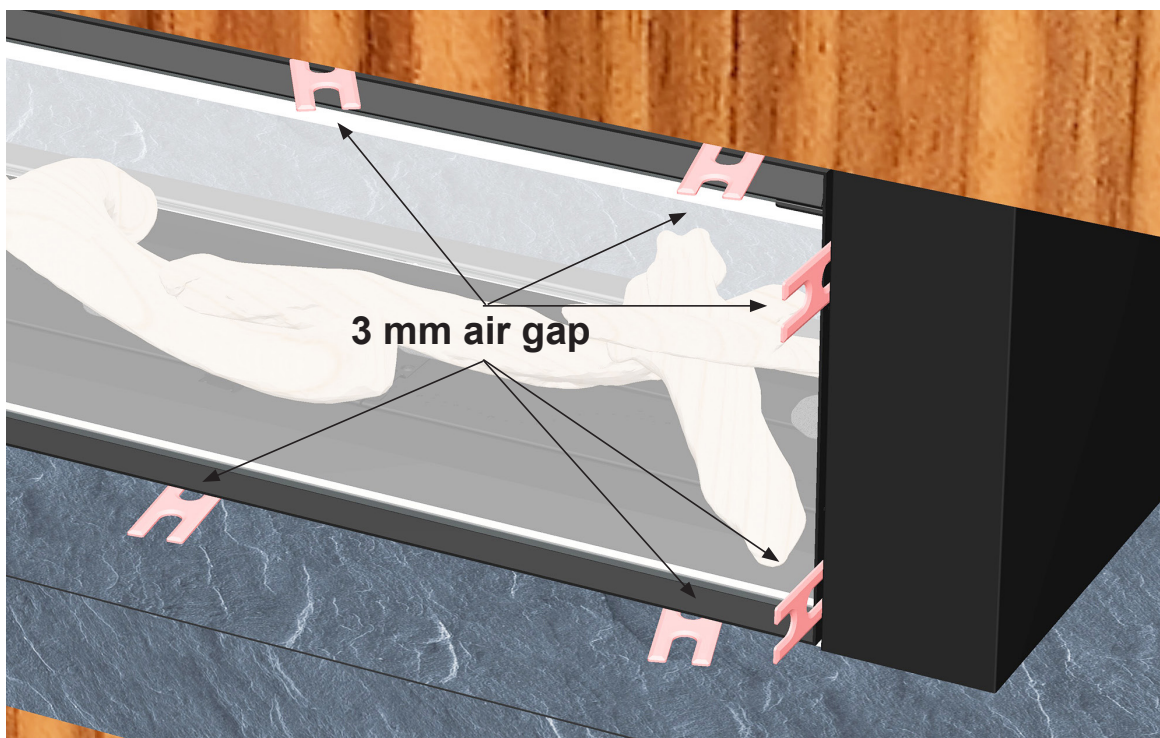
# General installation details



Each of the peninsular sections have a number of metal tabs that are designed to be clipped into the finishing trim latches.

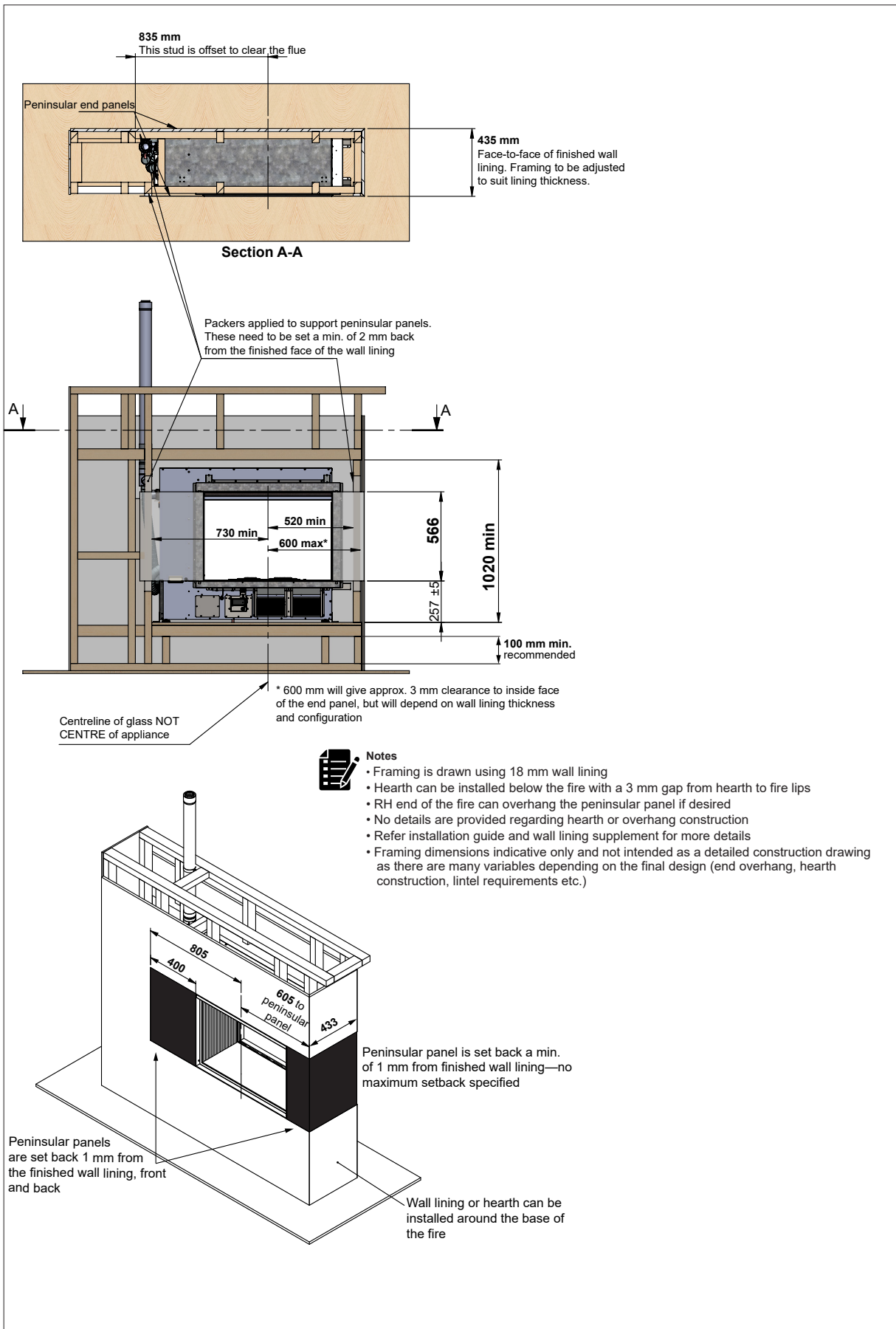
## Installation

1. Line up the metal panel, either the endcap or straight section, to the fire. It will be fitted **INSIDE** the metal wallboard support rails that surround the fire.
2. Carefully bump the panel into place using the base of your palm. Only do this where the tabs are, you will hear a slight click as the tabs lock in place.
3. Check you have a 3 mm air gap on the bottom, side, and top (shown below). These air gaps are critical for safe operation of the fire.

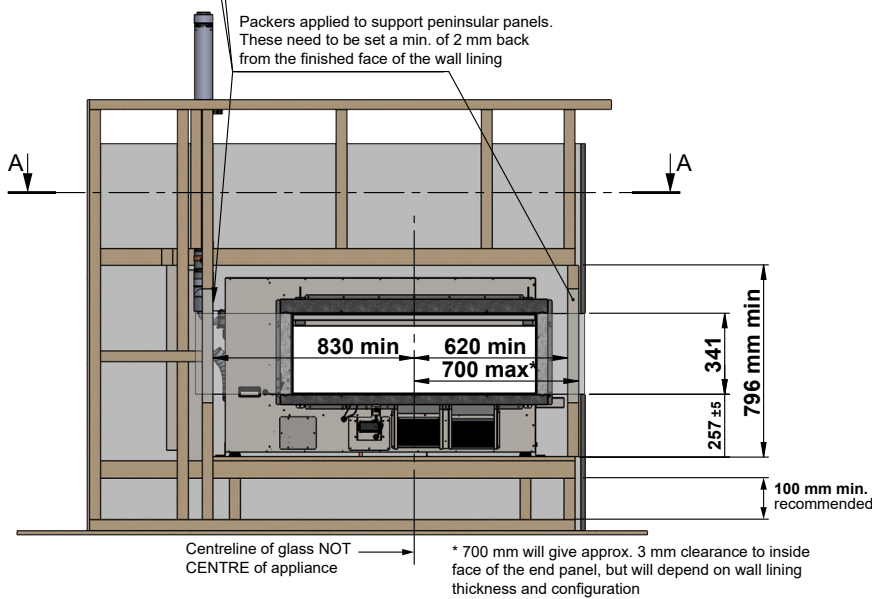
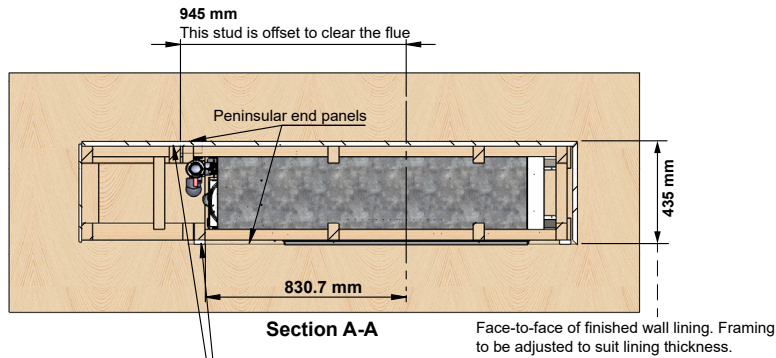




# Linear 800 200 mm kit installation

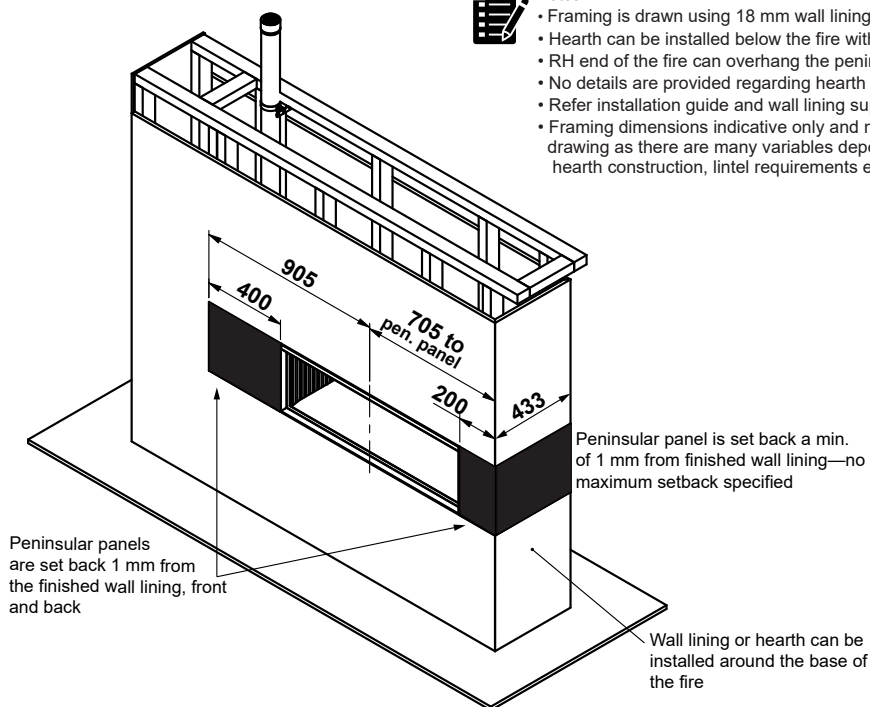


# Linear 1000 200 mm kit installation



## Notes

- Framing is drawn using 18 mm wall lining
- Hearth can be installed below the fire with a 3 mm gap from hearth to fire lips
- RH end of the fire can overhang the peninsular panel if desired
- No details are provided regarding hearth or overhang construction
- Refer installation guide and wall lining supplement for more details
- Framing dimensions indicative only and not intended as a detailed construction drawing as there are many variables depending on the final design (end overhang, hearth construction, lintel requirements etc.)



## Adapting for a custom kit example

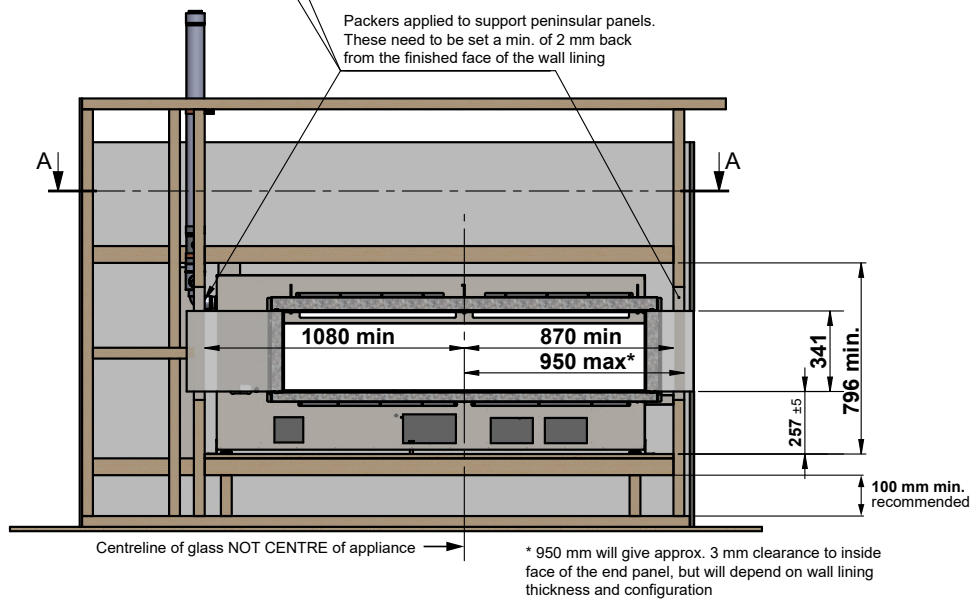
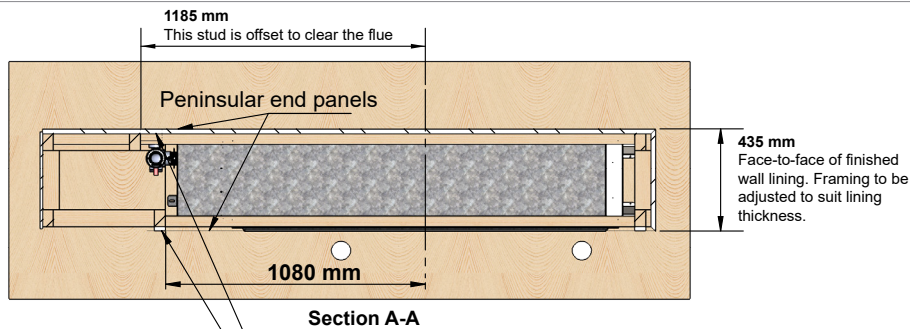
If the end panel is 240 mm your calculation for the critical dimensions would be:

- $240 - 745 = 740$

740 mm max.\* would be the maximum figure from the centreline to the inside face of the end panel, refer second image.

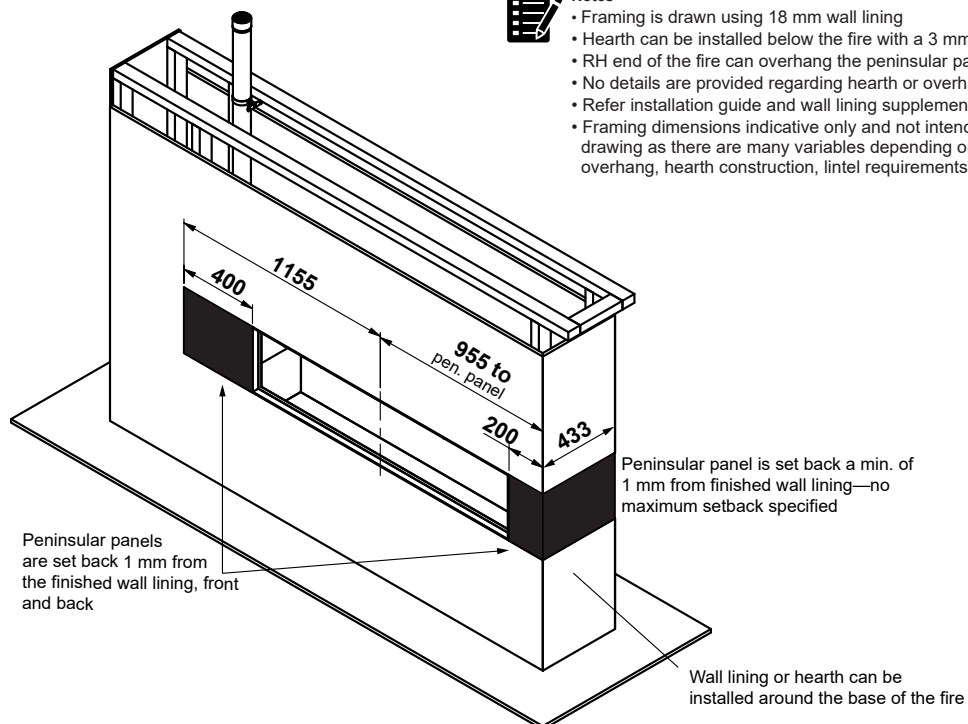
745 mm is the dimension from the centreline to the end of the panel, refer last image below ( $705 + 40 = 745$ ).

# Linear 1500 200 mm kit installation



## Notes

- Framing is drawn using 18 mm wall lining
- Hearth can be installed below the fire with a 3 mm gap from hearth to fire lips
- RH end of the fire can overhang the peninsular panel if desired
- No details are provided regarding hearth or overhang construction
- Refer installation guide and wall lining supplement for more details
- Framing dimensions indicative only and not intended as a detailed construction drawing as there are many variables depending on the final design (end overhang, hearth construction, lintel requirements etc.)



# Checklist

- ✓ Wallboard installed with edge finishing instructions—refer 'Additional guide to installing wall linings' document on the Rinnai website with the Linear product pages.
- ✓ 3 mm air gap is maintained—peninsular side panels are 6 mm taller than the fire side panels and will automatically give the required clearance when installed correctly.
- ✓ Allowance has been made for the peninsular panels to be set back by 1 mm from the front edge of the wallboard so that the edges are concealed (panels are approx. 1.5 mm thick).
- ✓ Any backing boards used that will make the total wall thickness greater than 20 mm should be made from non-combustible materials.

**Rinnai.co.nz**

Tel: 0800 746 624  
<http://www.youtube.com/rinnainz>  
<http://facebook.com.rinnainz>