

Rinnai



Commercial Heavy Duty Electric Cylinders

Rinnai Commercial Heavy Duty Electric Cylinders

Rinnai heavy duty high-input electric storage cylinders cater to the demanding hot water needs of commercial and large residential settings, while maximising energy efficiency. Additionally, multiple units can be manifolded together to meet even higher hot water requirements effectively.

Key Features & Benefits



Building Code Compliant

Only compliant product of this configuration on the NZ market.



Energy Efficient

Well insulated cylinders keep running costs low.



Quicker Recovery

Multiple large elements ensure quicker recovery rates.



High Flow Rates

Larger pipe connections ensure high flow rates.



Versatility

Ability to install cylinders indoors or outdoors



Y Class Vitreous Enamel Lined

High quality Y class enamel protects your cylinder for longer

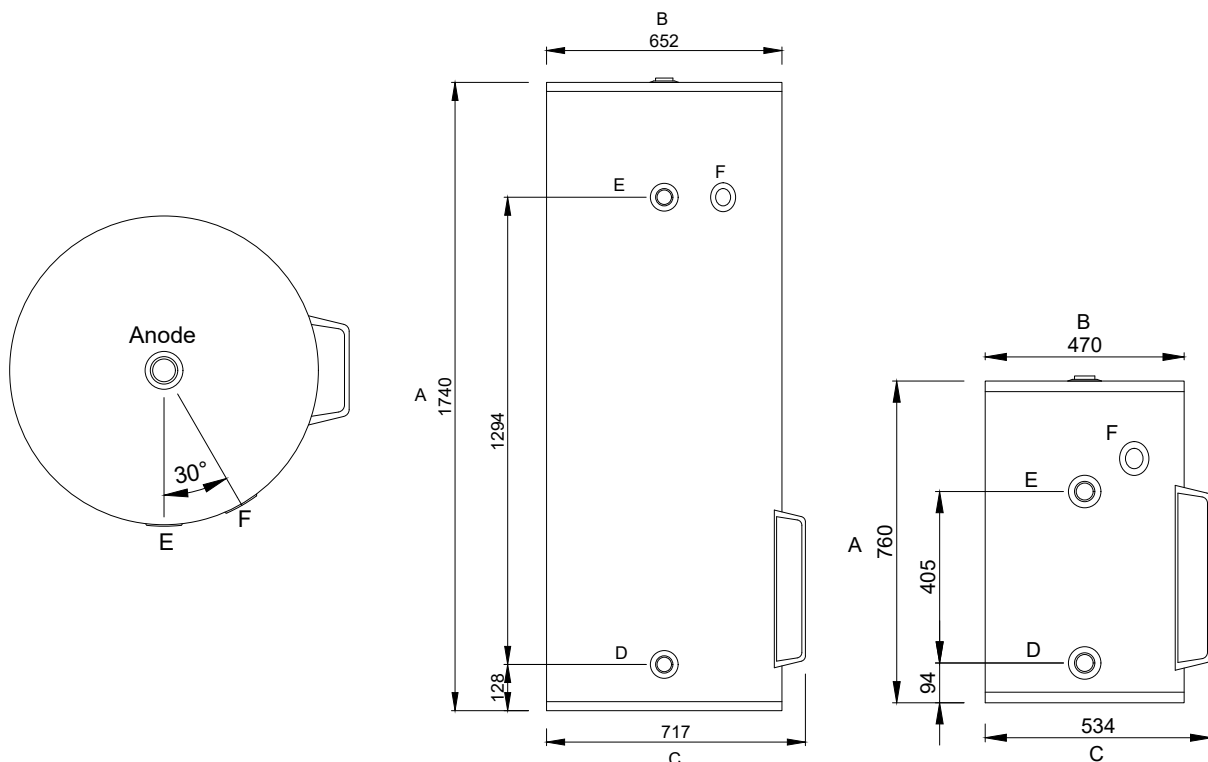


3 Phase Power Required



Technical Information

RINNAI MODEL		UNIT							
System			MEC060470E333 / 44			MEC340652E333 / 44 / 55			
Storage capacity		Litres	57			332			
Heating Elements		kW	3 x 3.3	3 x 4.4	3 x 3.3	3 x 4.4	3 x 5.5		
Current Draw (per phase)	3.3 kW	A	14.4						
	4.4 kW	A	19.2						
	5.5 kW	A	24.0						
Electrical Connection	3-Phase	V	400						
	1-Phase	V	230 (single element only)						
Total input @ 230 VAC		kW	9.9	13.2	9.9	13.2	16.5		
Heat up time @ 50 C rise		mins	20	15	120	90	72		
Recovery rate @50 C rise		l/hr	170	227	170	227	284		
PRODUCT SPECIFICATIONS									
Dimensions	(A) Height	mm	760			1740			
	(B) Diameter	mm	470			652			
	(C) Diameter w Cover	mm	534			717			
	(D) Cold Water Inlet	mm	94			128			
	(E) Hot Water Outlet	mm	405			1294			
	(F) TPR	mm	577			1294			
Weight	Empty	kg	40			98			
	Full	kg	100			438			
Cylinder Construction	Inner Cylinder		Y Class enamel						
	Insulation		High density polyurathene foam						
Mains Pressure Water Supply & Connections									
TPR Valve Setting		kPa	1000						
TPR Valve			DN20 3/4" BSP female						
Cold Water Inlet			DN32 1 1/4" BSP female						
Hot Water Outlet			DN32 1 1/4" BSP female						
Thermostat settings	Factory / Min / Max	°C	75 / 60 / 80						



Hot Water Delivery

Mid-winter first-hour delivery (litres), thermostat setting 75°C

System	Delivery Temp (°C)	Element Size (kW)	Auck/North (L)	Coastal NI (L)	Central NI/SI (L)	Central Otago (L)
340L	60	3x3.3	590	560	540	530
	60	3x4.4	660	620	590	580
	60	3x5.5	720	680	640	630
	40	3x3.3	740	680	630	610
	40	3x4.4	860	770	710	680
	40	3x5.5	970	870	790	760
60L	60	3x3.3	250	230	220	210
	60	3x4.4	320	290	270	260
	40	3x3.3	400	350	300	280
	40	3x4.4	520	440	380	360

Heat Up Time

System	Delivery Temp (°C)	Element Size (kW)	Total input @ 230 VAC (kW)	Heat up time $\Delta 50^\circ\text{C}$ (mins)	Recovery rate $\Delta 50^\circ\text{C}$ (l/hr)
340L	60	3x3.3	9.9	121	169
	60	3x4.4	13.2	91	225
	60	3x5.5	16.5	72	282
60L	60	3x3.3	9.9	20	169
	60	3x4.4	13.2	15	226



View the warranty conditions prior to purchase at rinnai.co.nz/warranty

Rinnai is constantly improving its products, and as such, information and specifications are subject to change without notice. For the most up-to-date information, go to rinnai.co.nz

Rinnai.co.nz | 0800 746 624

facebook.com/rinnainz