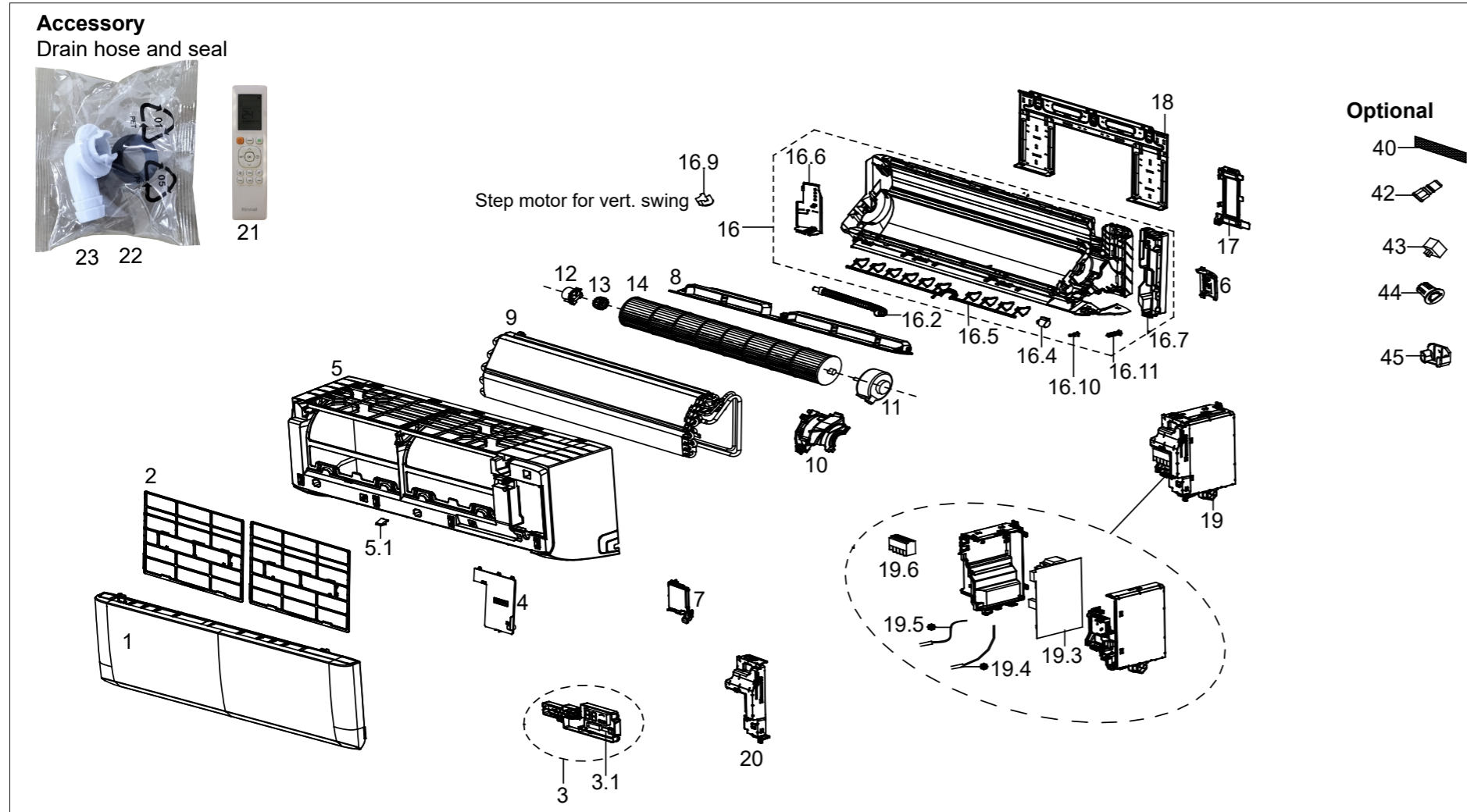


This diagram is provided to assist you to identify parts if replacement is necessary. Contact your place of purchase or the manufacturer to enquire about parts, availability and/or service.

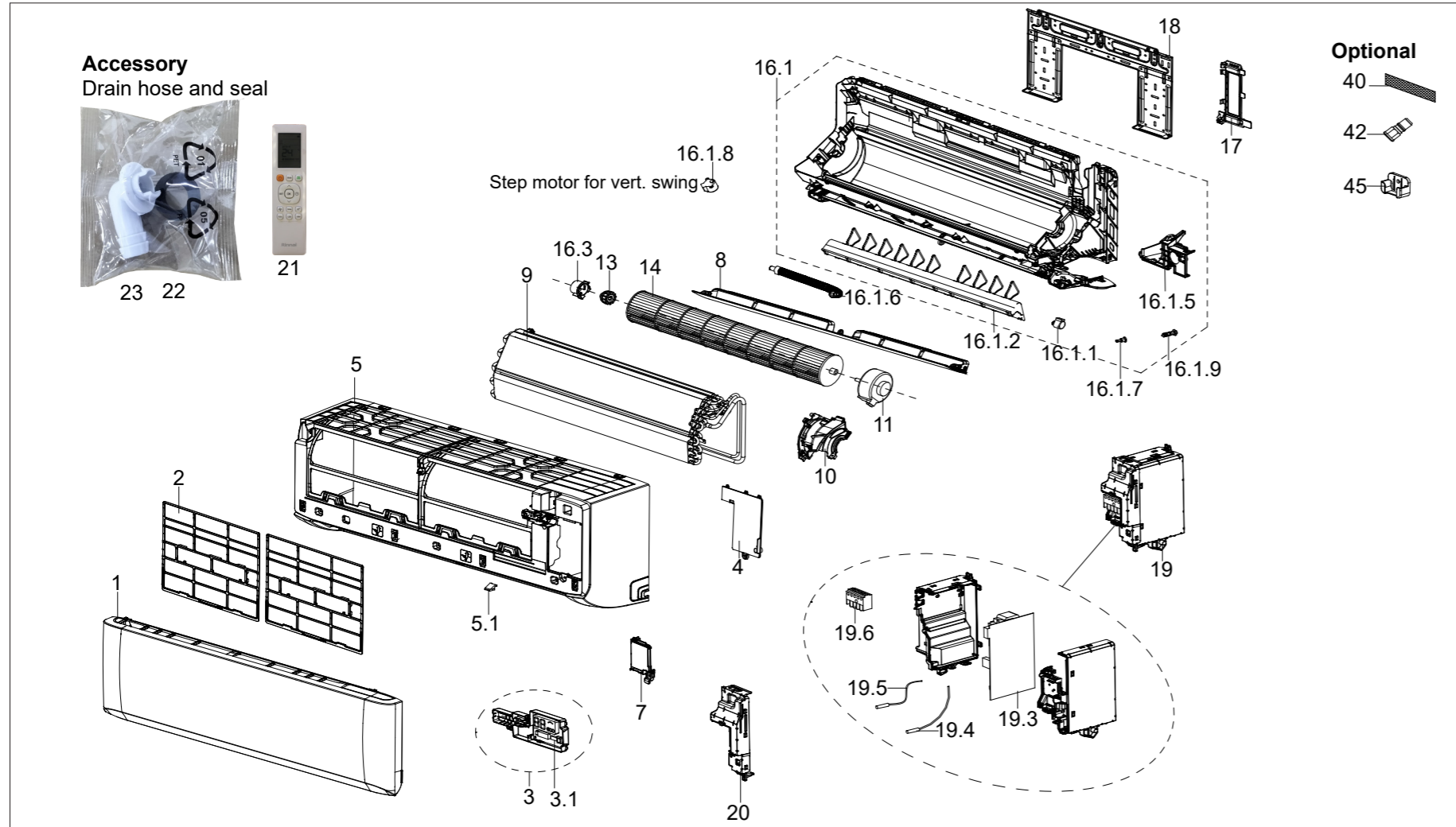


INDOOR UNIT			
Ref.	Description / ID	Part No.	
18	Installation plate 2-3.5kW	12222000A00811	
19	Electronic control box assembly 2kW	17222000A72691	14264
19.3	Main control board sub-assembly 2kW	17122000067801	
19.4	Room temperature sensor 2-6kW and 9kW	11201007003424	14109
19.5	Pipe temperature sensor 2-6kW and 9kW	11201007003447	14110
19.6	Wire joint (all high walls)	17400401000576	
20	Electronic control box cover 2-6kW	12122000032643	
21	Remote controller (all high walls)	17317000A61687	14111
22	Sealing ring 2-9kW	12600701000039	
23	Water outlet pipe 2-9kW	12100509000061	
40	Cold catalyst air fresh filter 2-9kW	12100204000685	14112
42	Pin valve 2-8kW	15500209000001	
45	Remote controller bracket (all high walls)	12122000029201	
-	Nut brass flare 3/8"	15500406000010	15017
-	Nut brass flare 1/4"	15500406000016	15016
54	Wi-Fi module assembly (all Pro Series 2 high walls)	17310900004401	

INDOOR UNIT			
Ref.	Description / ID	Part No.	
1	Panel assembly 2kW	12122000A86585	14260
2	Air filter 2kW	121002040000479	14261
3	Control display sub-assembly 2-6kW	17222000A71011	14288
3.1	Display board sub-assembly (all models)	17122000062279	
4	Cover plate 2-6kW	12122000024739	
5	Panel frame assembly 2kW	12122000025601	
5.1	Screw cap 2kW	12122000008242	
6	Front cover of chassis - right 2kW	12122000004587	
7	Electrical cover 2-6kW	12122000032628	
8	Louvre sub-assembly 2kW	12122000025602	
9	Evaporator assembly 2kW	15822000A19146	
10	Motor cover 2kW	12122000005540	
11	Brushless DC motor 2-3.5kW	11002015018882	14262

INDOOR UNIT			
Ref.	Description / ID	Part No.	
12	Bearing sleeve (all high walls)	12122000000350	
13	Bearing block assembly (all high walls)	12622000000131	
14	Crossflow fan 2kW	12100102000070	14263
16	Chassis assembly 2kW	12122000026408	
16.2	Drain hose 2-8kW	12100501000032	
16.4	Stepper motor 2-3.5kW	11002010000143	14107
16.5	Vertical vane assembly 2kW	12122000009447	
16.6	Front cover of chassis - left 2kW	12122000010098	
16.7	Electrical cover box holder 2kW	12122000026403	
16.9	Stepper motor for vert. swing 2-3.5kW	11002010A00014	
16.10	Electricity preventing axis 2-8kW	12122000000344	
16.11	Drainage plug 2-8kW	12622000000030	
17	Pipe clamp board 2-3.5kW	12122000012943	

This diagram is provided to assist you to identify parts if replacement is necessary. Contact your place of purchase or the manufacturer to enquire about parts, availability and/or service.

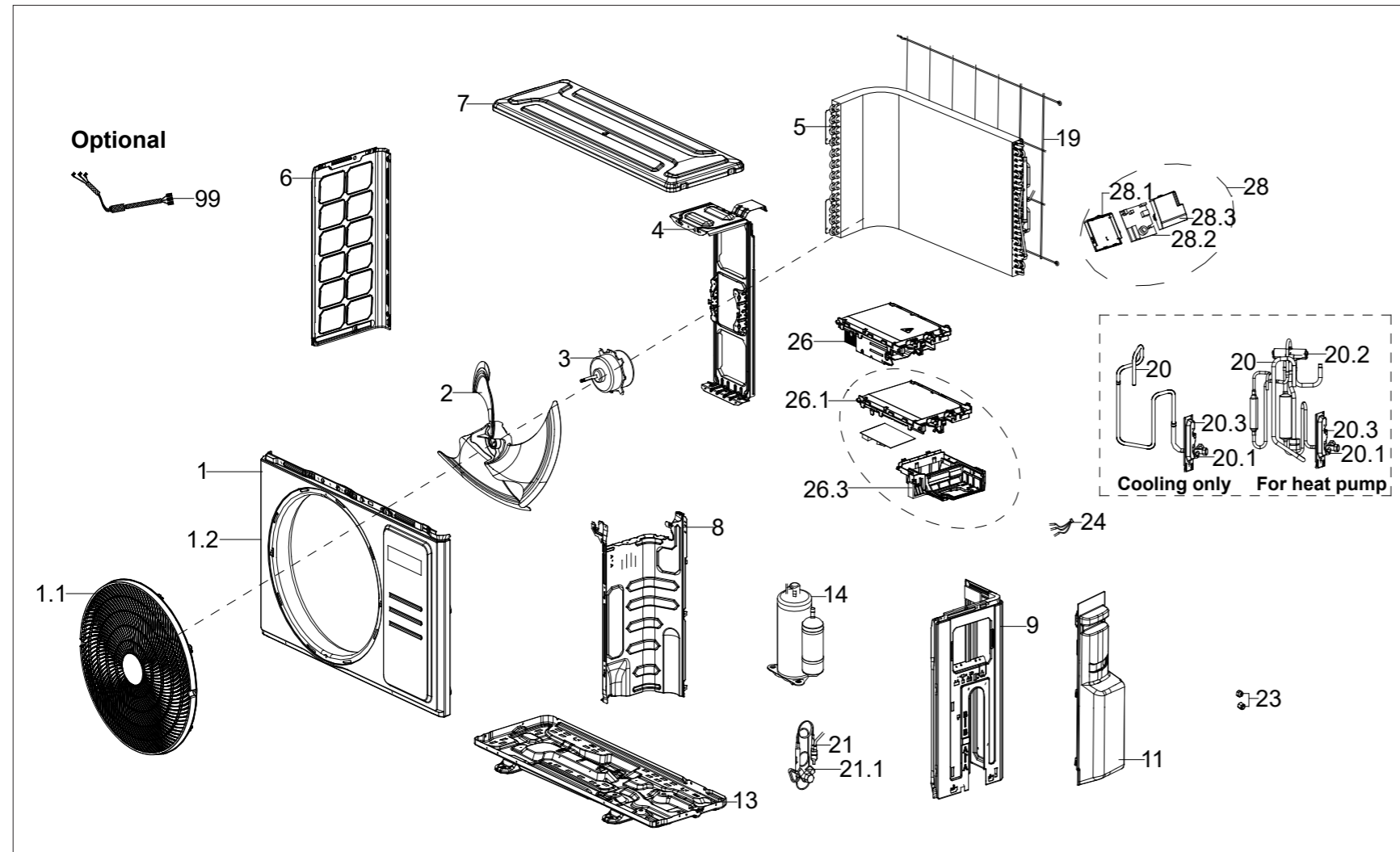


INDOOR UNIT			
Ref.	Description / ID		Part No.
19	Electronic control box assembly 2.5 kW	17222000A72692	14265
19	Electronic control box assembly 3.5 kW	17222000A72694	14266
19.3	Main control board sub-assembly 2.5 kW	17122000067897	
19.3	Main control board sub-assembly 3.5 kW	17122000067893	
19.4	Room temperature sensor 2-6kW and 9kW	11201007003424	14109
19.5	Pipe temperature sensor 2-6kW and 9kW	11201007003447	14110
19.6	Wire joint (all high walls)	17400401000576	
20	Electronic control box cover 2-6kW	12122000032643	
21	Remote controller (all high walls)	17317000A61687	14111
22	Sealing ring 2-9kW	12600701000039	
23	Water outlet pipe 2-9kW	12100509000061	
40	Cold catalyst air fresh filter 2-9kW	12100204000685	14112
42	Pin valve 2-8kW	15500209000001	
45	Remote controller bracket (all high walls)	12122000029201	
-	Nut brass flare 3/8"	15500406000010	15017
-	Nut brass flare 1/4"	15500406000016	15016
54	Wi-Fi module assembly (all Pro Series 2 high walls)	17310900004401	

INDOOR UNIT			
Ref.	Description / ID		Part No.
1	Panel assembly 2.5-3.5kW	12122000A85426	14100
2	Air filter 2.5-3.5kW	12100204000522	14101
3	Control display sub-assembly 2-6kW	17222000A71011	14288
3.1	Display board sub-assembly (all models)	17122000062279	
4	Cover plate 2-6kW	12122000024739	
5	Panel frame assembly 2.5-3.5kW	12122000025543	14103
5.1	Screw cap 2.5-8kW	12122000013139	14150
7	Electrical cover 2-6kW	12122000032628	
8	Louvre sub-assembly 2.5-3.5kW	12122000025544	14104
9	Evaporator assembly 2.5-3.5kW	15822000A19145	
10	Motor cover 2.5-3.5kW	12122000029503	
11	Brushless DC motor 2-3.5kW	11002015018882	14262
13	Bearing block assembly (all high walls)	12622000000131	

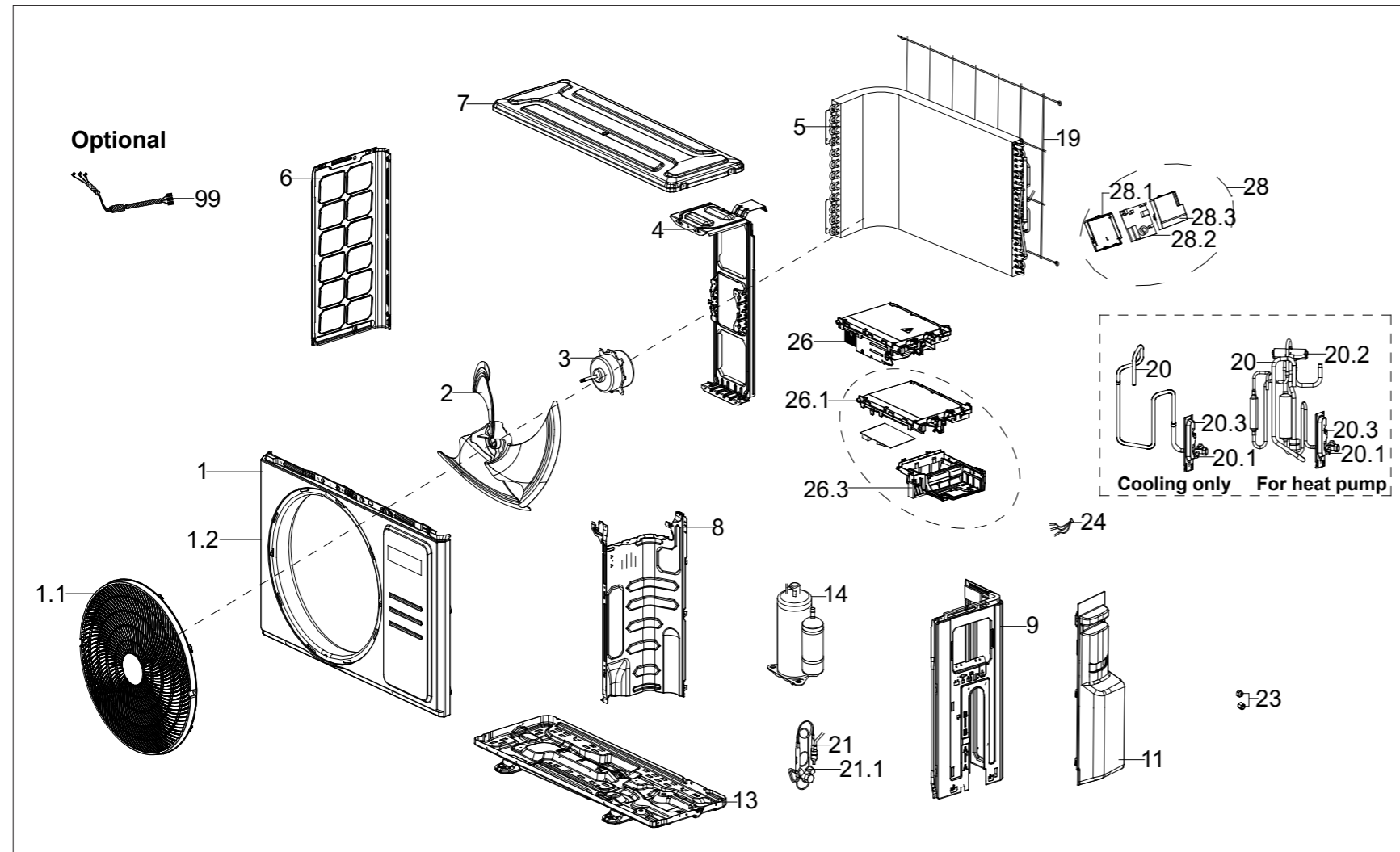
INDOOR UNIT			
Ref.	Description / ID		Part No.
14	Crossflow fan 2.5-3.5kW	12100102000576	14106
16.1	Chassis assembly 2.5-3.5kW	12122000026444	
16.1.1	Stepper motor 2-3.5kW	11002010000143	14107
16.1.2	Vortex tongue bar 2-3.5kW	12122000025629	
16.1.5	Anti mouse baffle 2-3.5kW	12122000024735	
16.1.6	Drain hose 2-8kW	12100501000032	
16.1.7	Electricity preventing axis 2-8kW	12122000000344	
16.1.8	Stepper motor vert. swing 2-3.5kW	11002010A00014	
16.1.9	Drainage plug 2-8kW	12622000000030	
16.3	Bearing sleeve (all high walls)	12122000000350	
17	Pipe clamp board 2-3.5kW	12122000012943	
18	Installation plate 2-3.5kW	12222000A00811	

This diagram is provided to assist you to identify parts if replacement is necessary. Contact your place of purchase or the manufacturer to enquire about parts, availability and/or service.



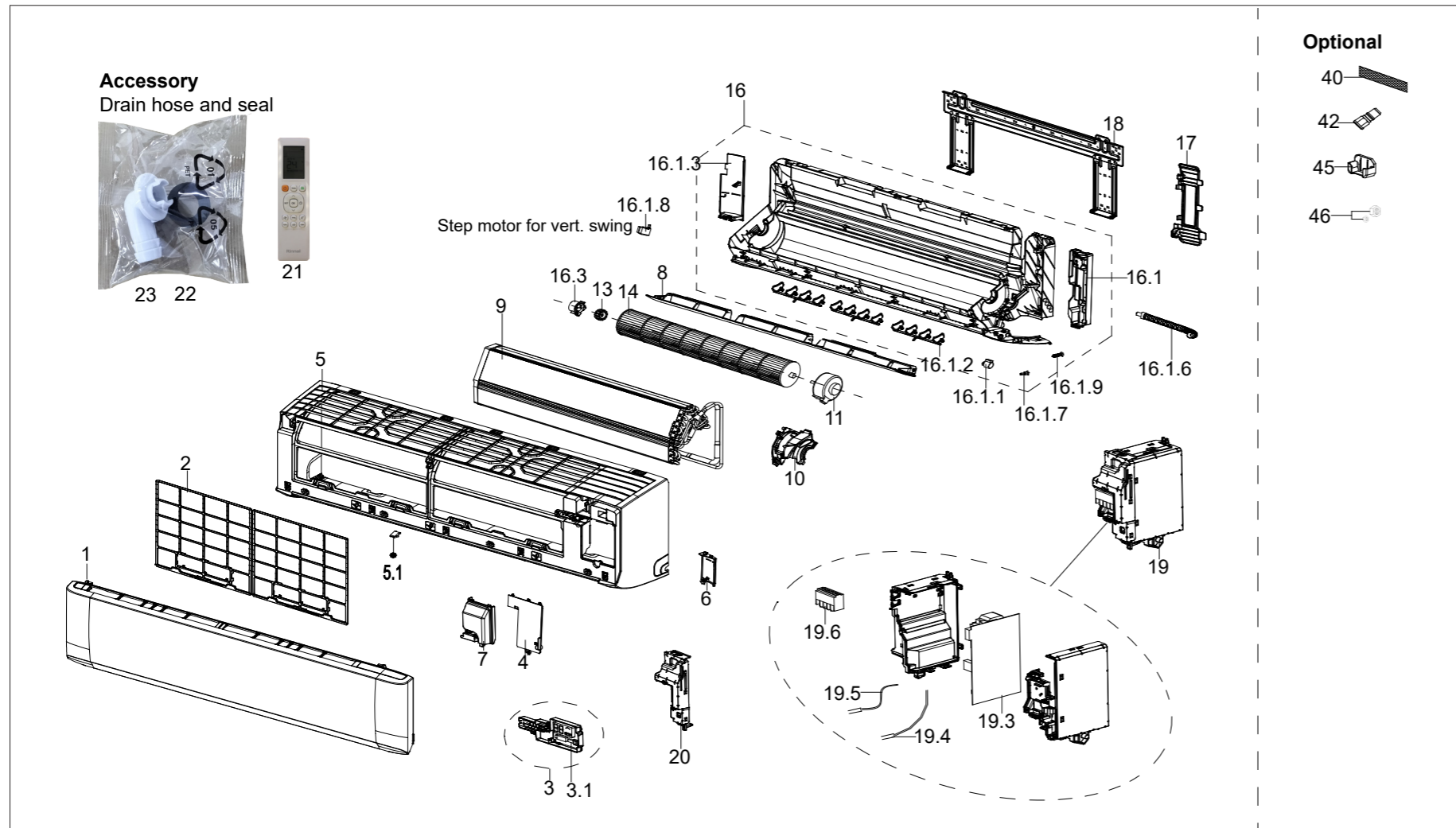
OUTDOOR UNIT			
Ref.	Description / ID		Part No.
1	Front panel assembly (includes 1.1 & 1.2) 2.5-3.5kW	12222000013304	14291
1.1	Air outlet grille 2.5-8kW	12122000026241	14113
1.2	Front panel 2.5-3.5kW	12222000013305	
2	Axial flow fan 2.5-3.5kW	12100105000961	
3	Brushless DC motor 2.5-3.5kW	11002015022793	14267
4	Motor bracket 2.5-3.5kW	12222000013233	
5	Condenser assembly 2.5kW	15822000014035	
6	Left side panel 2.5-3.5kW	12222000013238	
7	Top cover assembly 2.5-3.5kW	12222000013240	
8	Partition plate 2.5-3.5kW	12222000013232	
9	Right clapboard assembly 2.5-3.5kW	12222000018617	
11	Production net assembly 2.5-3.5kW	12122000033642	
13	Chassis assembly 2.5-3.5kW	12222000013228	
14	DC inverter rotary compressor 2.5kW	11103020015762	
19	Rear net 2.5-3.5kW	12222000015606	
20	4-way valve assembly 2.5kW	15422000027938	
20.1	Gas valve 2.5-3.5kW	15500204000021	
20.2	4-way valve 2.5-3.5kW	15500216001903	
20.3	Valve plate 2.5-3.5kW	12222000006566	
21	Liquid valve assembly 2.5kW	15422000027956	
21.1	High pressure valve 2.5-8kW	15500208000028	
23	Nut brass flare ¼ "	15500406000016	15016
23	Nut brass flare ⅜ "	15500406000010	15017
24	Combination sensor 2.5-3.5kW	11201011000688	14129
26	Electronic control box assembly 2.5kW	17222000A72536	14268
26.1	Cover of electronic control box 2.5-3.5kW	12122000037189	
26.3	Electronic installing box sub-assembly 2.5-3.5kW	12122000037188	
27	Electronic control support 2.5-3.5kW	12222000006564	
28	Terminal board assembly 2.5-8kW	17222000A72534	14269
28.1	Electronic installing box 2.5-8kW	12122000037530	
28.2	Power module board assembly 2.5-8kW	17122000A47674	
28.3	Cover of electronic control box 2.5-9kW	12122000037505	
99	Compressor wires sub-assembly 2.5-8kW	17401203012697	

This diagram is provided to assist you to identify parts if replacement is necessary. Contact your place of purchase or the manufacturer to enquire about parts, availability and/or service.



OUTDOOR UNIT			
Ref.	Description / ID		Part No.
1	Front panel assembly (includes 1.1 & 1.2) 2.5-3.5kW	12222000013304	14291
1.1	Air outlet grille 2.5-8kW	12122000026241	14113
1.2	Front panel 2.5-3.5kW	12222000013305	
2	Axial flow fan 2.5-3.5kW	12100105000961	
3	Brushless DC motor 2.5-3.5kW	11002015022793	14267
4	Motor bracket 2.5-3.5kW	12222000013233	
5	Condenser assembly 3.5kW	15822000014034	
6	Left side panel 2.5-3.5kW	12222000013238	
7	Top cover assembly 2.5-3.5kW	12222000013240	
8	Partition plate 2.5-3.5kW	12222000013232	
9	Right clapboard assembly 2.5-3.5kW	12222000018617	
11	Production net assembly 2.5-3.5kW	12122000033642	
13	Chassis assembly 2.5-3.5kW	12222000013228	
14	DC inverter rotary compressor 3.5kW	11103020011803	
19	Rear net 2.5-3.5kW	12222000015606	
20	4-way valve assembly 3.5kW	15422000027997	
20.1	Gas valve 2.5-3.5kW	15500204000021	
20.2	4-way valve 2.5-3.5kW	15500216001903	
20.3	Valve plate 2.5-3.5kW	12222000006566	
21	Liquid valve assembly 3.5kW	15422000025515	
21.1	High pressure valve 2.5-8kW	15500208000028	
23	Nut brass flare ¼ "	15500406000016	15016
23	Nut brass flare ⅜ "	15500406000010	15017
24	Combination sensor 2.5-3.5kW	11201011000688	14129
26	Electronic control box assembly 3.5kW	17222000A72537	14270
26.1	Cover of electronic control box 2.5-3.5kW	12122000037189	
26.3	Electronic installing box sub-assembly 2.5-3.5kW	12122000037188	
27	Electronic control support 2.5-3.5kW	12222000006564	
28	Terminal board assembly 2.5-8kW	17222000A72534	14269
28.1	Electronic installing box 2.5-8kW	12122000037530	
28.2	Power module board assembly 2.5-8kW	17122000A47674	
28.3	Cover of electronic control box 2.5-9kW	12122000037505	
99	Compressor wires sub-assembly 2.5-8kW	17401203012697	

This diagram is provided to assist you to identify parts if replacement is necessary. Contact your place of purchase or the manufacturer to enquire about parts, availability and/or service.

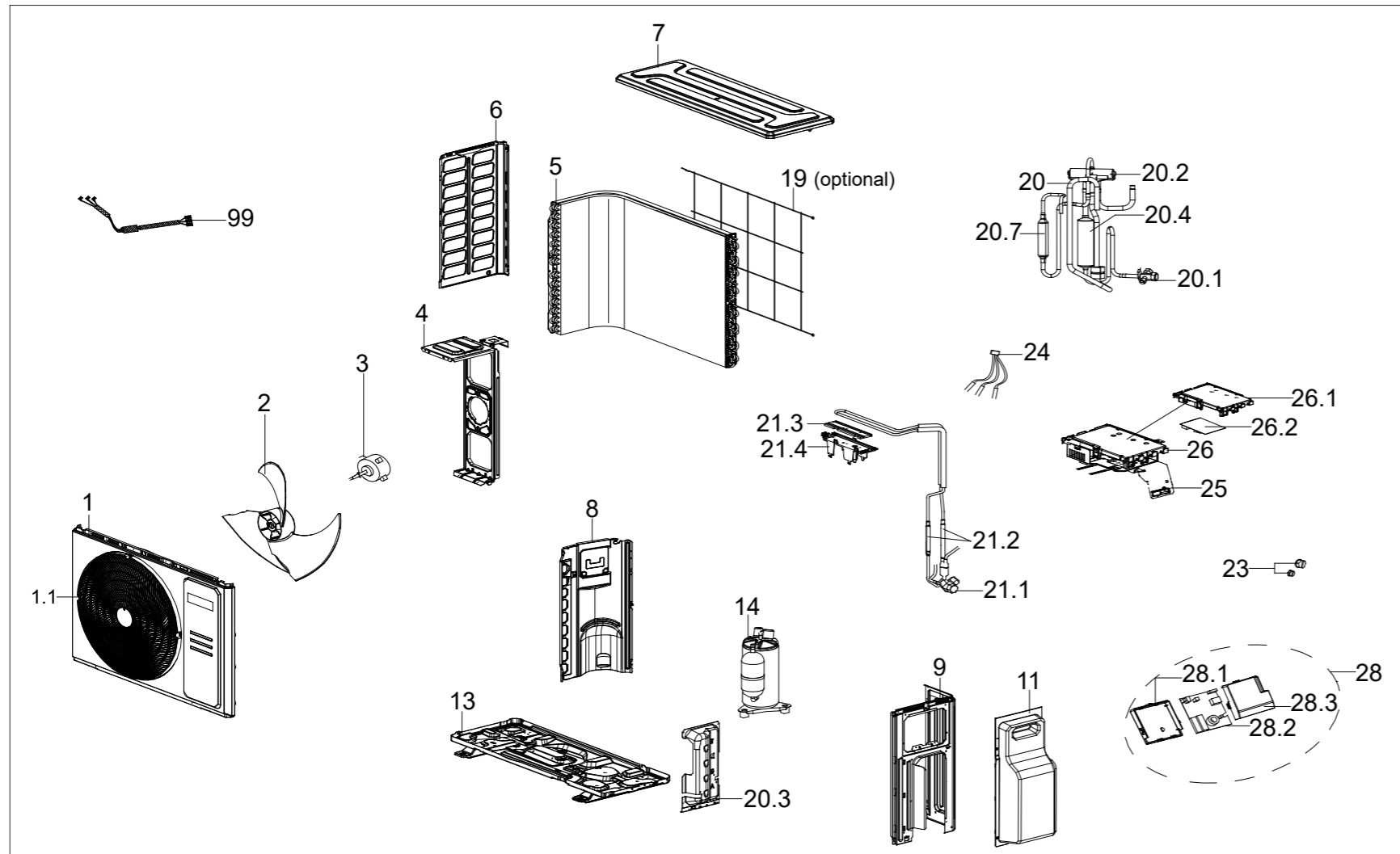


INDOOR UNIT		
Ref.	Description / ID	Part No.
18	Installation plate 5-8kW	12222000003595
19	Electronic control box assembly 5-6kW	17222000A72693
19.3	Main control board sub-assembly 5-6kW	17122000067642
19.4	Room temperature sensor 2-6kW and 9kW	11201007003424
19.5	Pipe temperature sensor 2-6kW and 9kW	11201007003447
19.6	Wire joint (all high walls)	17400401000576
20	Electronic control box cover 2-6kW	12122000032643
21	Remote controller (all high walls)	17317000A61687
22	Sealing ring 2-9kW	12600701000039
23	Water outlet pipe 2-9kW	12100509000061
40	Cold catalyst air fresh filter 2-9kW	12100204000685
42	Pin valve 2-8kW	15500209000001
45	Remote controller bracket (all high walls)	12122000029201
46	Nut brass flare 1/2 "	15500406000012
46	Nut brass flare 1/4 "	15500406000016
54	Wi-Fi module assembly (all Pro Series 2 high walls)	17310900004401

INDOOR UNIT		
Ref.	Description / ID	Part No.
1	Panel assembly	12122000A85424
2	Air filter 5-6kW	12100204000397
3	Control display sub-assembly 2-6kW	17222000A71011
3.1	Display board sub-assembly (all models)	17122000062279
4	Cover plate 2-6kW	12122000024739
5	Panel frame assembly 5-6kW	12122000025561
5.1	Screw cap 2.5-8kW	12122000013139
6	Front cover of chassis - right 5-6kW	12122000004592
7	Electrical cover 2-6kW	12122000032628
8	Louvre sub-assembly 5-6kW	12122000025565
9	Evaporator assembly 5-6kW	12122000025565
10	Motor cover 5-6kW	12122000005538
11	Brushless DC motor 5-6kW	11002015017672
13	Bearing block assembly (all high walls)	12622000000131

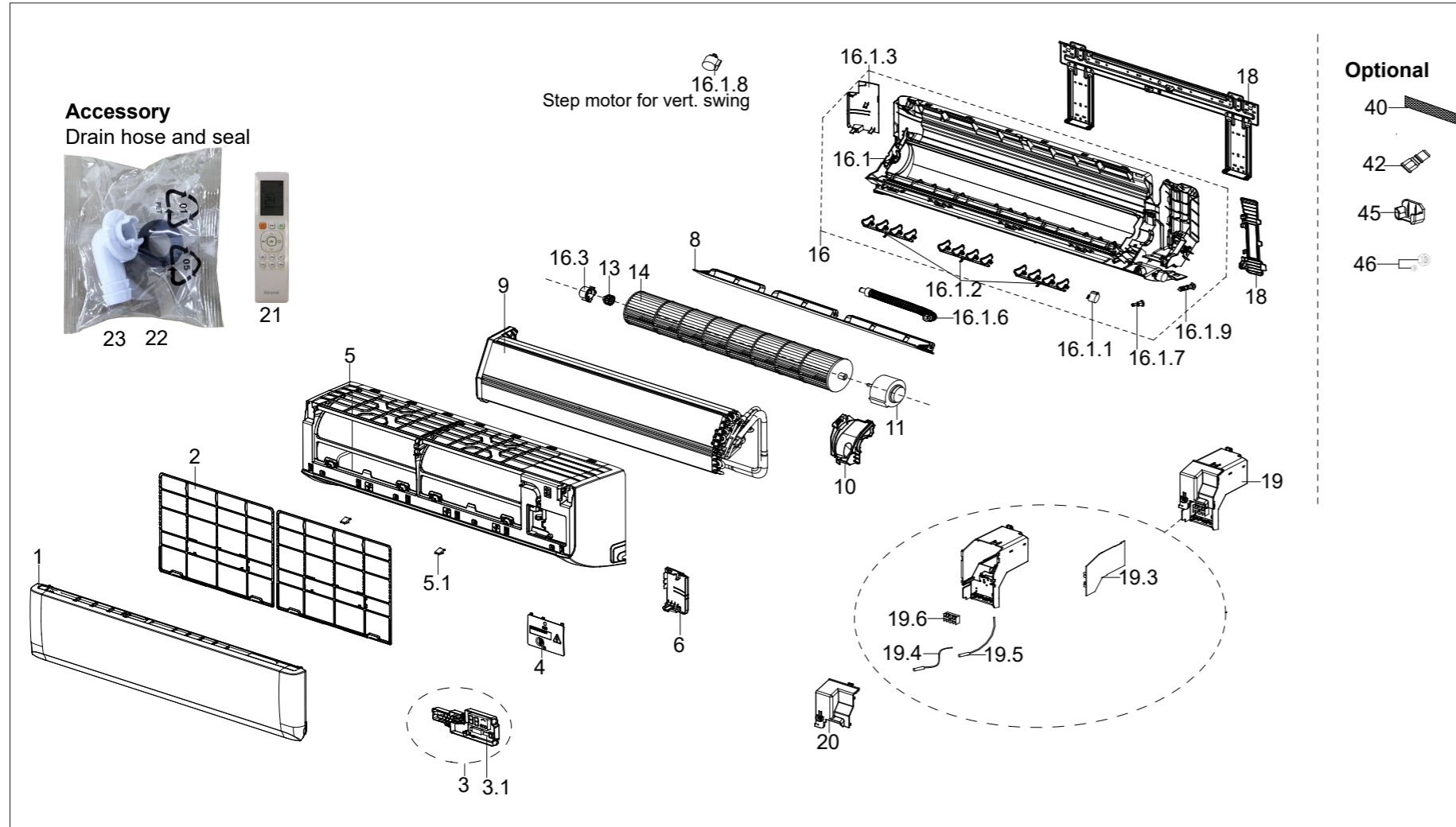
INDOOR UNIT		
Ref.	Description / ID	Part No.
14	Crossflow fan 5-6kW	12100102000131
16	Chassis assembly 5-6kW	12122000025643
16.1	Chassis assembly	12122000026406
16.1.1	Stepper motor 5-6kW	11002010000077
16.1.2	Horizontal louvre 5-6kW	12122000000117
16.1.3	Front cover of chassis - left 5-6kW	12122000004612
16.1.4	Electrical control box holder 5-6kW	12122000004612
16.1.6	Drain hose 2-8kW	12100501000032
16.1.7	Electricity preventing axis 2-8kW	12122000000344
16.1.8	Stepper motor vert. swing 5-8kW	11002010000161
16.1.9	Drainage plug 2-8kW	12622000000030
16.3	Bearing sleeve (all high walls)	12122000000350
17	Pipe clamp board 5-6kW	12122000012941

This diagram is provided to assist you to identify parts if replacement is necessary. Contact your place of purchase or the manufacturer to enquire about parts, availability and/or service.



OUTDOOR UNIT			
Ref.	Description / ID		Part No.
1	Front panel assembly (includes 1.1) 5-8kW	12222000013505	14292
1.1	Air outlet grille 2.5-8kW	12122000026421	14113
2	Axial flow fan 5-8kW	12100105000841	
3	Brushless DC motor 5-8kW	11002015022212	14274
4	Motor bracket 5-8kW	12222000012371	
5	Condenser assembly 5-7kW	15822000010723	
6	Left side panel 5-8kW	12222000012929	
7	Top cover assembly 5-8kW	12222200005737	14128
8	Partition plate 5-8kW	12222000012366	
9	Right clapboard assembly 5-8kW	12222000019705	
11	Big handle assembly 5-8kW	12122000035404	
13	Chassis assembly 5-6kW	12222000013647	
14	DC inverter rotary compressor 5-6kW	11103020012419	
19	Rear net 5-8kW	12222000013085	
20	4-way valve assembly 5-6kW	15422000024499	
20.1	Gas valve 5-6kW	15500204000058	
20.2	4-way valve 5-8kW	15500216000026	
20.3	Valve plate 5-8kW	12222000017927	
21	Liquid valve assembly 5-6kW	15422000027835	
21.1	High pressure valve 2.5-8kW	15500208000028	
21.2	Throttle valve 5-6kW	15500210004469	
21.2	Throttle valve element 5-6kW	15500210004528	
21.3	Radiator 5-9kW	11203803006816	
21.4	U-type support with copper pipe 5-8kW	12122000033624	
23	Nut brass flare ¼ "	15500406000016	15016
23	Nut brass flare ½ "	15500406000012	15018
24	Combination sensor 5-8kW	11201011000187	14165
25	Electronic installing box sub-assembly 5-6kW	12222000021365	
26	Electronic control box assembly 5-6kW	17222000A72573	14275
26.1	Cover of electronic control box 5-9kW	12122000032542	
26.2	Outdoor main control board sub-assembly 5-6kW	17122000A47675	
28	Terminal board assembly 2.5-8kW	17222000A72534	14269
28.1	Electronic installing box 2.5-8kW	12122000037530	
28.2	Power module board assembly 2.5-8kW	17122000A47674	
28.3	Cover of electronic control box 2.5-9kW	12122000037505	
99	Compressor wires sub-assembly 2.5-8kW	17401203012697	

This diagram is provided to assist you to identify parts if replacement is necessary. Contact your place of purchase or the manufacturer to enquire about parts, availability and/or service.

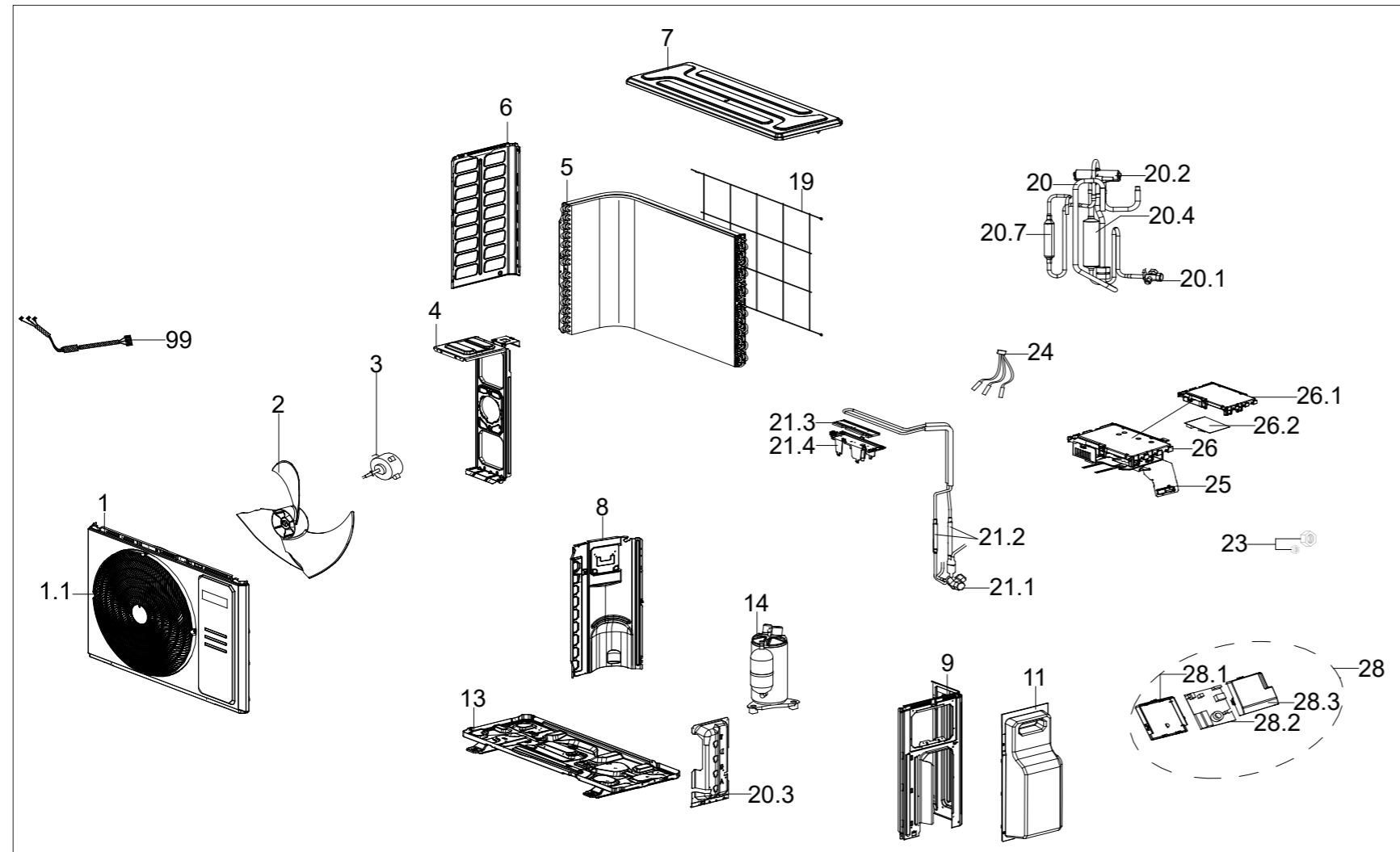


INDOOR UNIT			
Ref.	Description / ID		Part No.
19	Electronic control box assembly 7-8kW	17222000A72695	14277
19.3	Main control board sub-assembly 7-8kW	17122000067752	
19.4	Room temperature sensor 7-8kW	11201007003425	14140
19.5	Pipe temperature sensor 7-8kW	11201007003445	14141
19.6	Wire joint (all high walls)	17400401000576	
20	Electric control box cover 7-8kW	12122000005024	
21	Remote controller (all high walls)	17317000A61687	14111
22	Sealing ring 2-9kW	12600701000039	
23	Water outlet pipe 2-9kW	12100509000061	
40	Cold catalyst air fresh filter 2-9kW	12100204000685	14112
42	Pin valve 2-8kW	15500209000001	
45	Remote controller bracket (all high walls)	12122000029201	
46	Flare nut brass 5/8 "	15500406000003	15019
46	Flare nut brass 1/4 "	15500406000016	15016
54	Wi-Fi module assembly (all Pro Series 2 high walls)	17310900004401	

INDOOR UNIT			
Ref.	Description / ID		Part No.
1	Panel assembly	12122000A85425	14131
2	Air filter 7-8kW	12100204000461	14132
3	Control display sub-assembly 7-9kW	17222000A71572	14289
3.1	Display board sub-assembly (all models)	17122000062279	
4	Cover plate 7-8kW	12122000025611	
5	Panel frame assembly 7-8kW	12122000025606	14134
5.1	Screw cap 2.5-8kW	12122000013139	14150
6	Front cover of chassis - right 7-8kW	12122000004608	
8	Louvre sub-assembly 7-8kW	12122000025607	
9	Evaporator assembly 7-8kW	15822000A20183	
10	Motor cover 7-8kW	12122000005512	
11	Brushless DC motor 7-9kW	11002015017613	14276
13	Bearing block assembly (all high walls)	12622000000131	

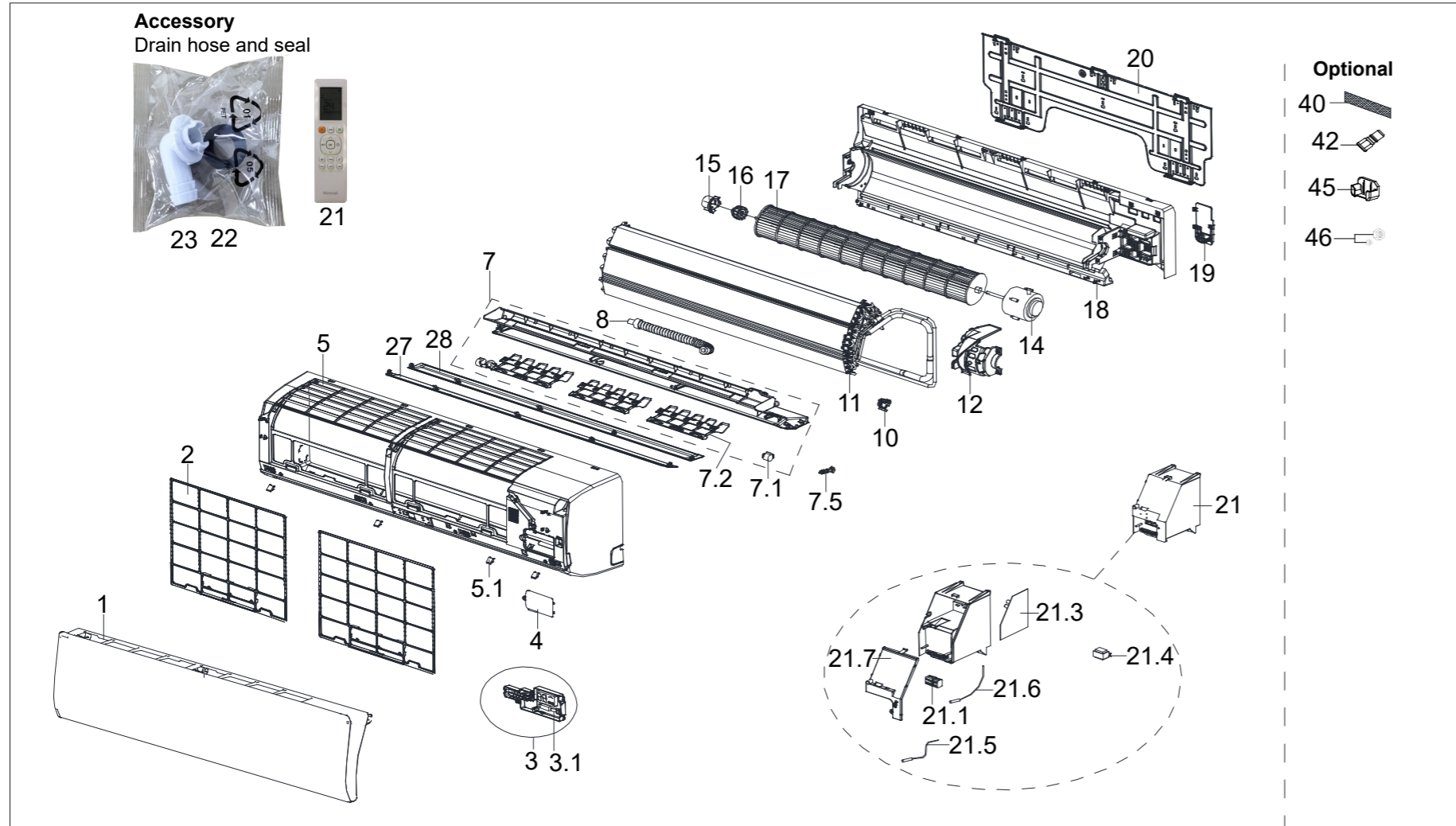
INDOOR UNIT			
Ref.	Description / ID		Part No.
14	Crossflow fan 7-8kW	12100102000018	14137
16	Chassis assembly 7-8kW	12122000025615	
16.1	Chassis assembly 7-8kW	12122000A03046	
16.1.1	Stepper motor 7-8kW	11002010000049	14138
16.1.2	Horizontal louvre 7-8kW	12122000000136	
16.1.3	Front cover of chassis - left 7-8kW	12122000004614	
16.1.6	Drain hose 2-8kW	12100501000032	
16.1.7	Electricity preventing axis 2-8kW	12122000000344	
16.1.8	Stepper motor vert. swing 5-8kW	11002010000161	
16.1.9	Drainage plug 2-8kW	12622000000030	
16.3	Bearing sleeve (all high walls)	12122000000350	
17	Pipe clamp board 7-8kW	12122000012942	
18	Installation plate 5-8kW	12222000003595	

This diagram is provided to assist you to identify parts if replacement is necessary. Contact your place of purchase or the manufacturer to enquire about parts, availability and/or service.



OUTDOOR UNIT			
Ref.	Description / ID		Part No.
1	Front panel assembly 5-8kW	12222000013505	14292
1.1	Air outlet grille 2.5-8kW	12122000026421	14113
2	Axial flow fan 5-8kW	12100105000841	
3	Brushless DC motor 5-8kW	11002015022212	14274
4	Motor bracket 5-8kW	12222000012371	
5	Condenser assembly 5-7kW	15822000010723	
5	Condenser assembly 8kW	15822000015828	
6	Left side panel 5-8kW	12222000012929	
7	Top cover assembly 5-8kW	12222200005737	14128
8	Partition plate 5-8kW	12222000012366	
9	Right clapboard assembly 5-8kW	12222000019705	
11	Big handle assembly 5-8kW	12122000035404	
13	Chassis assembly 7-8kW	12222000013507	
14	DC inverter rotary compressor 7-8kW	11103020010159	
19	Rear net 5-8kW	12222000013085	
20	4-way valve assembly 7-8kW	15422000024058	
20.1	Gas valve 7-9kW	15500204000058	
20.2	4-way valve 5-8kW	15500216000026	
20.3	Valve plate 5-8kW	12222000017927	
20.4	Muffler sub-assembly 7-8kW	15122000032564	
20.7	Muffler sub-assembly 7-8kW	15122000030797	
21	Liquid valve assembly 7-8kW	15422000027856	
21.1	High pressure valve 2.5-8kW	15500208000028	
21.2	Throttle valve 7-8kW	15500210004449	
21.2	Throttle valve element 7-8kW	15500210004568	
21.3	Radiator 5-9kW	11203803006816	
21.4	U-type support with copper pipe 5-8kW	12122000033624	
23	Flare nut brass 1/4"	15500406000016	15016
23	Flare nut brass 5/8"	15500406000003	15018
24	Combination sensor 5-8kW	11201011000187	14165
25	Electronic installing box sub-assembly	12222000021365	
26	Electronic control box assembly	17222000A72538	14278
26.1	Cover of electronic control box 5-9kW	12122000032542	
26.2	Outdoor main control board sub-assembly 5-6kW	17122000A47676	
28	Terminal board assembly 2.5-8kW	17222000A72534	14269
28.1	Electronic installing box 2.5-8kW	12122000037530	
28.2	Power module board assembly 2.5-8kW	17122000A47674	
28.3	Cover of electronic control box 2.5-9kW	12122000037505	
99	Compressor wires sub-assembly 2.5-8kW	17401203012697	

This diagram is provided to assist you to identify parts if replacement is necessary. Contact your place of purchase or the manufacturer to enquire about parts, availability and/or service.

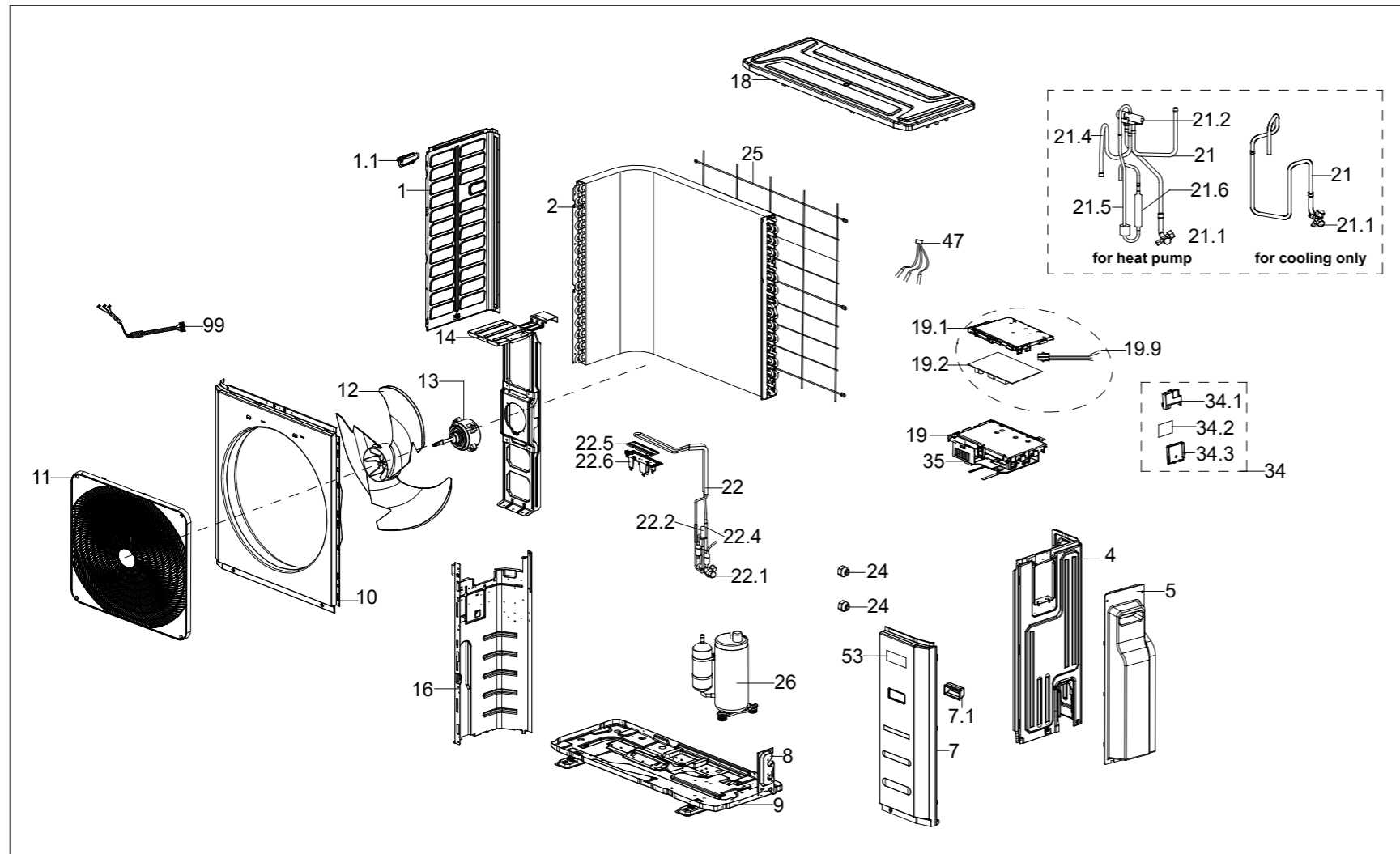


INDOOR UNIT			
Ref.	Description / ID	Part No.	
21.3	Main control board sub-assembly	17122000067435	
21.5	Room temperature sensor 2-6kW and 9kW	11201007003424	14109
21.6	Pipe temperature sensor 2-6kW and 9kW	11201007003447	14110
21.7	Electric control box cover 9kW	12122000005040	
23	Remote controller (all high walls)	17317000A61687	14111
24	Sealing ring 2-9kW	12600701000039	
25	Water outlet pipe 2-9kW	12100509000061	
27	Louvre 9kW	12122000006106	
28	Louvre 9kW	12122000008092	
40	Cold catalyst air fresh filter 2-9kW	12100204000685	14112
42	Pin valve 9kW	15500209000002	
45	Remote controller bracket (all high walls)	12122000029201	
46	Flare nut brass 5/8"	15500406000003	15019
46	Flare nut brass 3/8"	15500406000010	15017
54	Wi-Fi module assembly (all Pro Series 2 high walls)	17310900004401	

INDOOR UNIT			
Ref.	Description / ID	Part No.	
1	Panel assembly	12122000A99874	14279
2	Air filter	12122000025962	14280
3	Control display sub-assembly 7-9kW	17222000A71572	14289
3.1	Display board sub-assembly (all models)	17122000062279	
4	Cover plate 9kW	12122000006694	
5	Panel frame assembly 9kW	12122000001931	
5.1	Screw cap 9kW	12122000006272	
6	Front cover of chassis - right	12122000004608	
7	Air outlet assembly	12122000A03265	
7.1	Stepper motor	11002010001666	
7.2	Horizontal louvre	12122000A00013	
7.3	Connecting rod of louvre (not shown)	12122000A00023	
7.4	Connecting rod of louvre (not shown)	12122000A00025	

INDOOR UNIT			
Ref.	Description / ID	Part No.	
7.5	Drain plug 9kW	12600801000081	
8	Drain hose 9kW	12100501000021	
10	Temp. sensor fixed card	12122000024323	
11	Evaporator assembly	15822000A19284	
12	Motor cover	12122000005475	
14	Brushless DC motor 7-9kW	11002015017613	14276
15	Bearing sleeve (all high walls)	12122000000350	
16	Bearing block assembly (all high walls)	12622000000131	
17	Crossflow fan 9kW	12100102000084	14281
18	Chassis assembly 9kW	12122000003909	
19	Pipe clamp board	12122000000460	
20	Installation plate	12222000000029	
21	Electronic control box assembly	17222000A72670	14282
21.1	Wire joint (all high walls)	17400401000576	

This diagram is provided to assist you to identify parts if replacement is necessary. Contact your place of purchase or the manufacturer to enquire about parts, availability and/or service.



OUTDOOR UNIT			
Ref.	Description / ID		Part No.
1	Left side plate assembly of cabinet 9kW	1222500000539	
1.1	Small handle 9kW	12100701000033	
2	Condenser assembly 9kW	15822000014546	
4	Right rear clapboard assembly 9kW	12222000A09031	
5	Big handle assembly 9kW	12122400A00001	
7	Front right clapboard assembly 9kW	12222500000633	
7.1	Handle 9kW	12100702000038	
8	Valve plate 9kW	12222000013765	
9	Chassis assembly 9kW	12222000014506	
10	Front panel 9kW	12222000004983	14283
11	Air outlet grille (9kW)	12122000020245	14167
12	Axial flow fan 9kW	12100105000084	
13	Brushless DC motor 9kW	11002015020443	14284
14	Motor bracket assembly 9kW	12222000005162	
16	Partition board assembly 9kW	12222000005425	
18	Top cover assembly 9kW	12222500000587	14285
19	Electronic control box assembly 9kW	17222000A72572	14286
19.1	Electronic control box cover 5-9kW	12122000032542	
19.2	Outdoor main control board sub assembly 9kW	17122000A47673	
19.9	HV junction cable assembly 9kW	17401203026201	
21	4-way valve assembly 9kW	15422000027702	
21.1	Gas valve 7-9kW	155002040000502	
21.2	4-way valve 9kW	15500216000361	
21.4	Suction pipe 9kW	15122000030137	
21.5	Discharge pipe 9kW	15122000028746	
21.5	Discharge pipe 9kW	15122000030741	
21.6	Muffler 9kW	15500506000007	
22	Liquid valve assembly 9kW	15422000027715	
22.1	Liquid valve 9kW	15500208000286	
22.2	Direct driven electronic expansion 9kW	11501020000261	
22.4	Throttle valve 9kW	15500210003128	
22.5	Radiator 5-9kW	11203803006816	
22.6	U-type support with copper pipe 5-9kW	12122000033624	
24	Flare nut brass 3/8"	15500406000010	15017
24	Flare nut brass 3/8"	15500406000003	15019
25	Rear net 9kW	12222000006604	
26	DC inverter rotary compressor 9kW	11103020000559	
34	Terminal board assembly 9kW	17222000A72575	14287
34.1	Cover of electronic control box 2.5-9kW	12122000037505	
34.2	Power module board assembly 9kW	17122000A47674	
34.3	Electronic installing box 9kW	12122000037530	
35	Electronic installing box sub assembly 9kW	12222000018306	
47	Combination sensor 9kW	11201011000188	
99	Compressor wires sub-assembly 9kW	17401203000751	