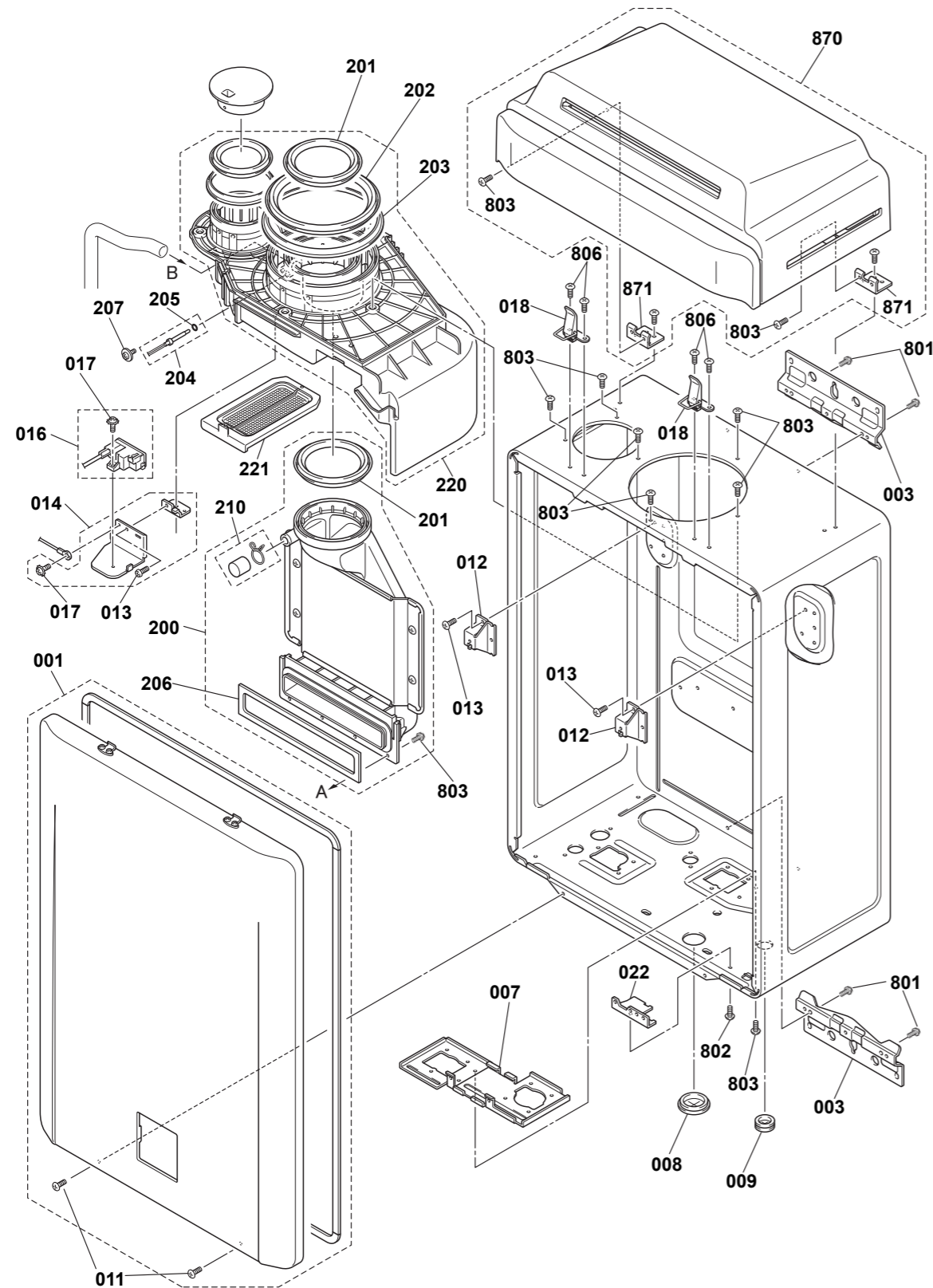
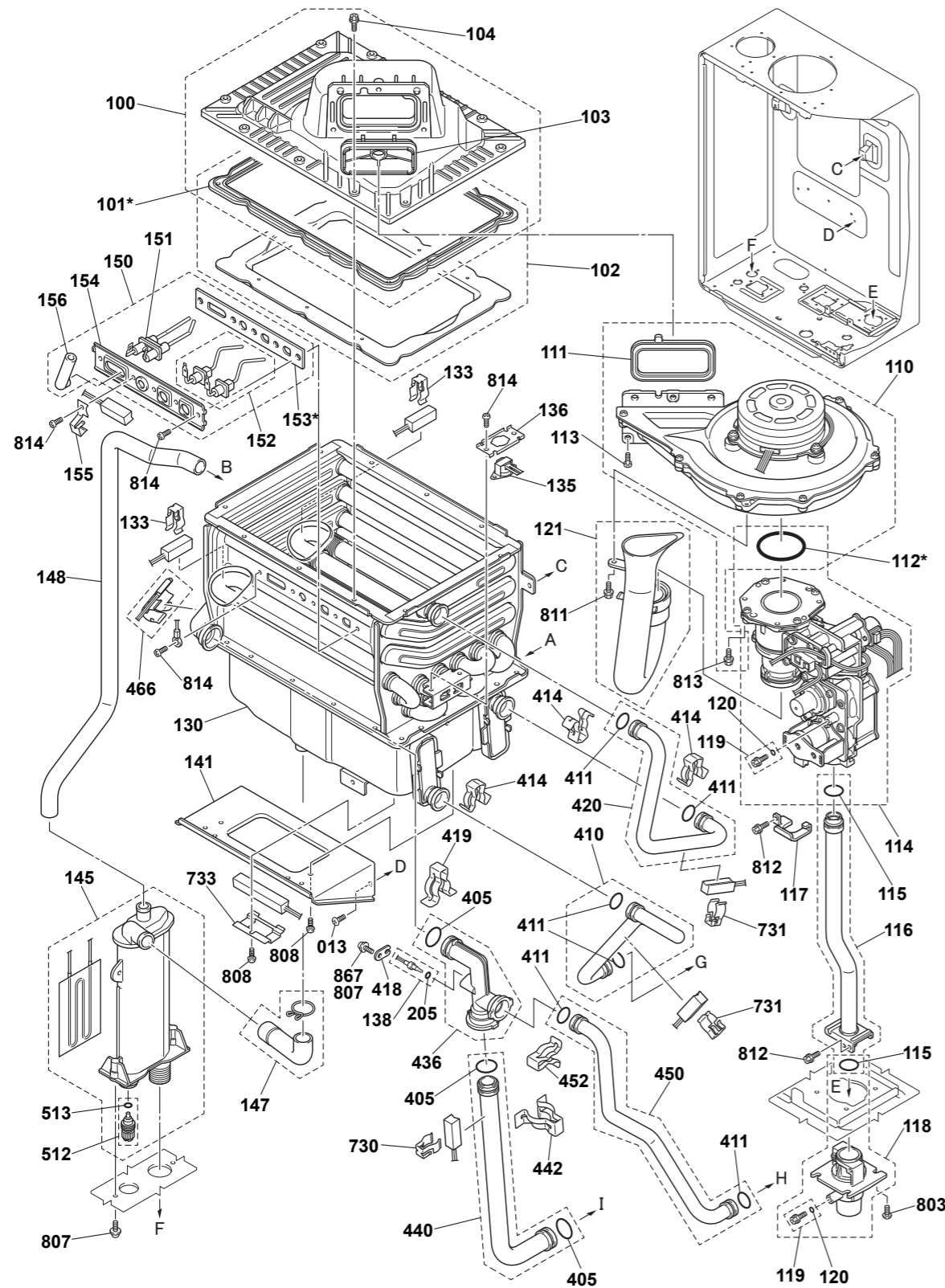


This diagram is provided to assist you to identify parts if replacement is necessary. Contact your place of purchase or the manufacturer to enquire about parts, availability and/or service.



Ref.	Description	Part No.
001	Front panel assembly	40675
003	Wall bracket	40319
007	Pipe reinforcement plate	-
008	Rubber bushing large	40201
009	Rubber bushing small	40207
011	Earth screw (front panel)	2897
012	Combustion chamber support plate	-
013	Screw HEX mount (truss screw)	40302
014	Igniter mounting bracket assembly	-
016	Igniter assembly	40609
017	Tapping screw	2896
018	Snap lock (x2)	-
022	Connection reinforcement panel	40110
200	Exhaust duct complete assembly	-
201	Exhaust packing	-
202	Air supply packing	-
203	Double pipe packing	-
204	Exhaust thermistor	40638
205	O-ring M010B-00024-004	40244
206	Exhaust duct packing	40639
207	Screw flue thermistor retainer	40303
210	Exhaust assembly rubber cap	-
220	Air supply box assembly	-
221	Air intake filter	40326
801	Wall bracket screw CP-30583	4767
802	Screw case right	40305
803	Truss screw	2939
806	Screw	-
870	Outdoor vent cap	40673
871	Fixing bracket	-

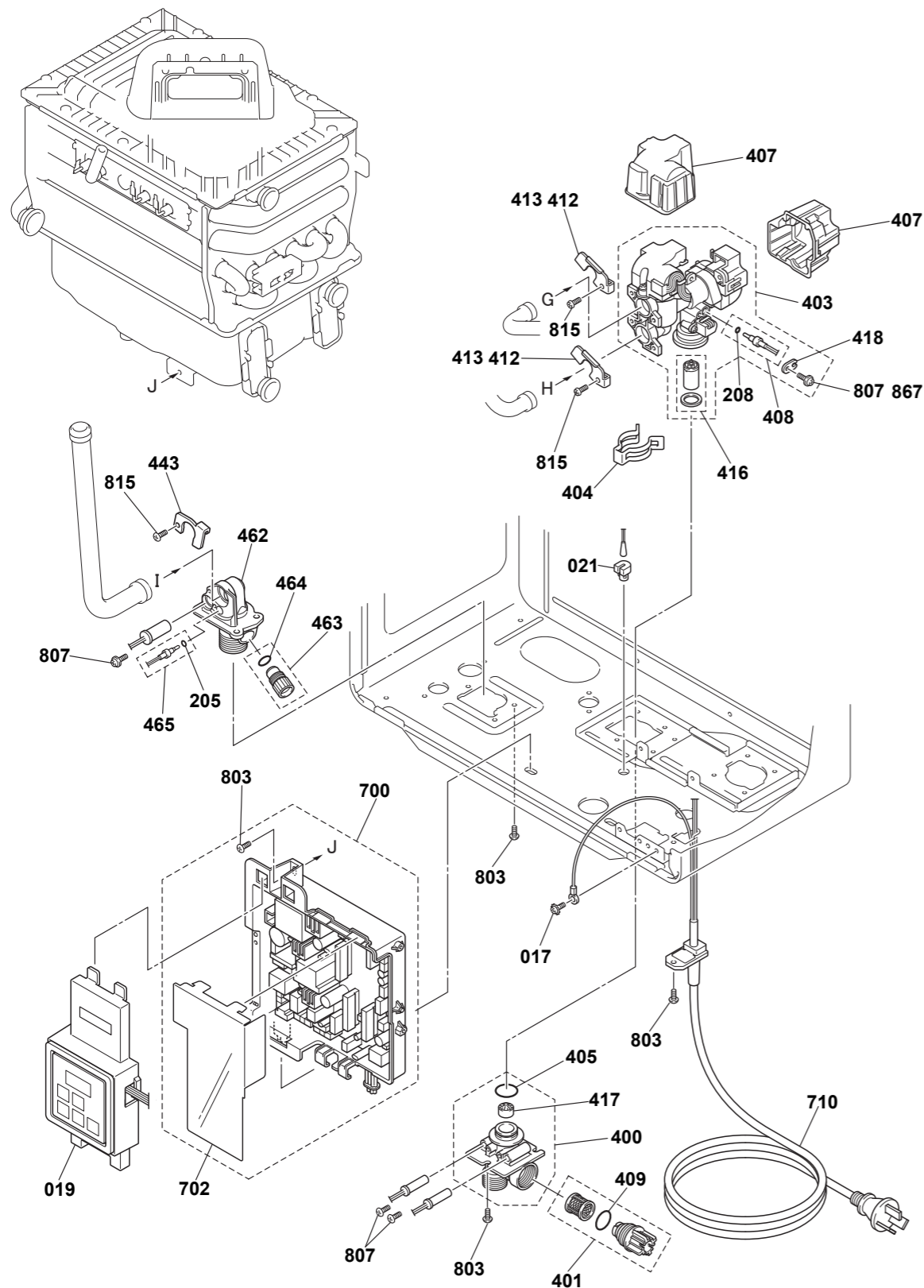
This diagram is provided to assist you to identify parts if replacement is necessary. Contact your place of purchase or the manufacturer to enquire about parts, availability and/or service.



Ref.	Description	Part No.
013	Screw HEX mount	40302
100	Burner assembly	
101	Burner gasket	40612
102	Burner with gasket	40613
103	Non return valve	40614
104	Manifold screw	-
110	Combustion fan assembly	40616
111	Combustion fan gasket	40617
112	O-ring M10B-1-44	40207
113	Screw ZQAA0514UK	4771
114	Premix gas / air valve assembly	40618
115	O-ring M10B-1-16	3466
116	Gas connecting pipe (complete assy.)	-
117	Gas pipe bracket	-
118	Gas connecting port assembly	-
119	Inlet test point screw	40223
120	O-ring M10B-13-4	2239
121	Noise filter assembly	-
130	Heat exchanger	40676
133	Bend tube heater fixing plate	-
135	Overheat switch	40622
136	OHS fixing plate	-
138	HEX outlet thermistor	40624
141	Latent heat exchanger fixing plate	-
145	Condensate drain assembly	40677
147	Condensate drain tube	-
148	Drain tube	-
150	Ignition electrode assembly	40628
151	Electrode (with # 153)	40629
152	Flame rods (with # 153)	40630
153	Electrode packing	40631
154	Electrode holder	-
155	Electrode heater fixing plate	-

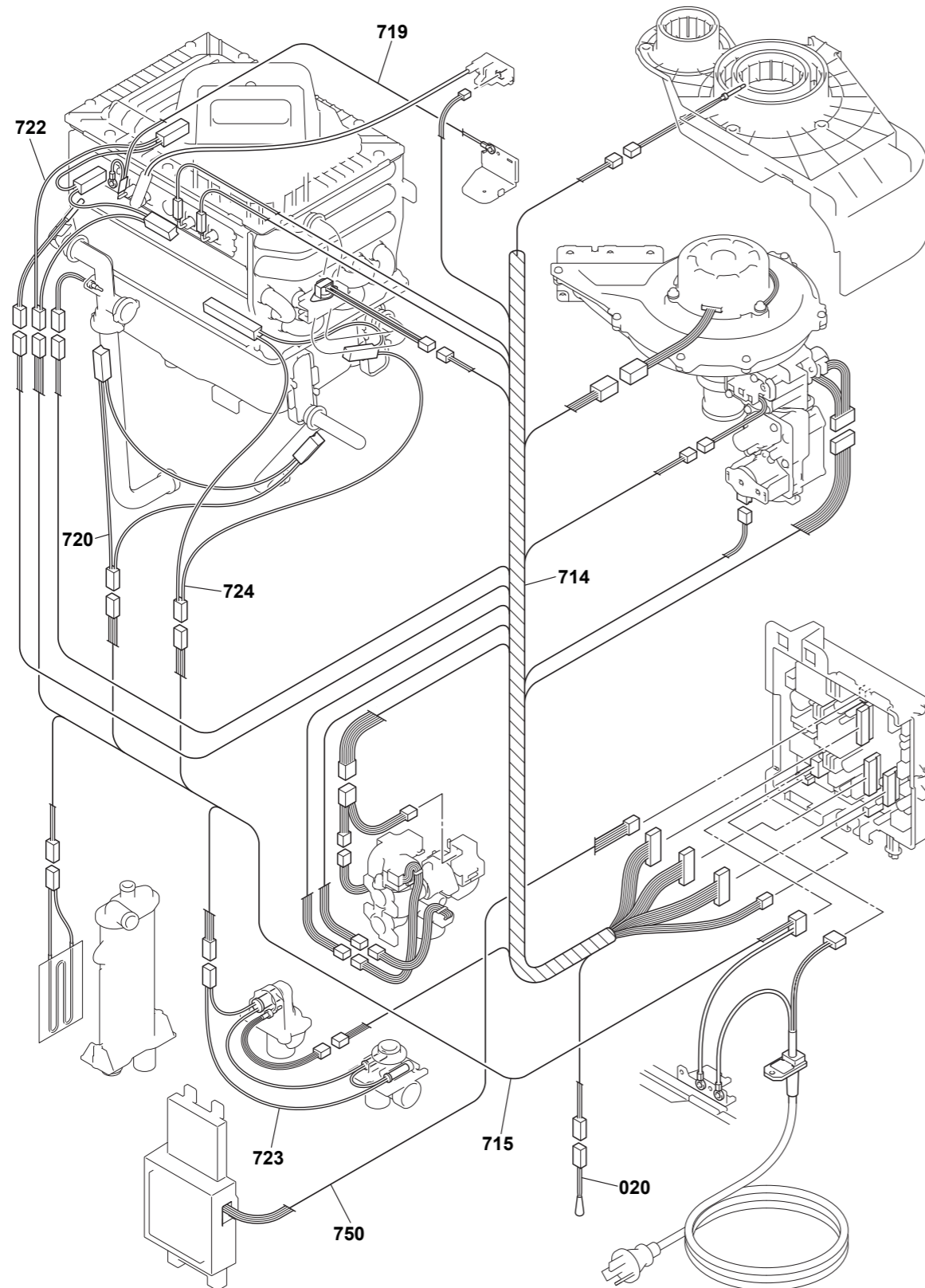
Ref.	Description	Part No.
156	Electrode sleeve	40243
205	O-ring M010B-00024-004	40244
405	O-ring M010B-00024-018	40253
410	Water supply connecting pipe assy.	-
411	O-ring M010B-00024-14	40258
414	Heat exchanger pipe clip	-
418	Thermistor clip	3875
419	Heat exchanger pipe clip	-
420	Main sub connection pipe	-
436	Hot water connection fitting (commercial)	-
440	Hot water connection pipe total assembly	-
442	Retaining clip	40268
450	Bypass pipe complete assembly	-
452	Bypass pipe clip	40270
466	Lime scale detection thermistor	40655
512	Drain valve assembly	-
513	O-ring 5 5RX/51FT/68E	1234
730	Antifrost heater clip	3536
731	Heater clip	2032
733	Frost bracket HEX	40292
807	Thermistor locking screw	3241
808	Screw flue support bracket	40308
811	Screw (M4x12 Philips HEX head)	2938
812	Cross recessed hexagonal head screw	-
813	Manifold fixing screw	5740
814	Screw	-
867	Screw	-
-	Service kit (includes: 101, 112, 153)*	40681

This diagram is provided to assist you to identify parts if replacement is necessary. Contact your place of purchase or the manufacturer to enquire about parts, availability and/or service.



Ref.	Description	Part No.
017	Tapping screw	2896
019	Controller unit	40678
021	Temperature sensor cover	40109
205	O-ring M010B-00024-004	40244
208	O-ring	3832
400	$\frac{3}{4}$ water supply connection port assembly	-
401	Water supply filter plug	40643
403	Water volume servo with water volume sensor (with # 407)	40644
404	Water inlet lock clip	40252
405	O-ring M010B-00024-018	40253
407	Water flow servo cover	40171
408	Inlet temperature thermistor	40645
409	O-ring MO10B-00024-014	40263
412	Stop bracket	3624
413	Quick clip	40259
416	Water flow turbine	40647
417	Balancer	3487
418	Thermistor clip	3875
443	Back spacer top (stop bracket)	3948
462	Hot water connection port	-
463	Pressure relief valve assembly	40296
464	O-ring M010B-00018-007	40297
465	Twin thermistor	40654
700	PCB assembly	40657
702	PCB cover	-
710	Power cord	40659
803	Truss screw	2939
807	Thermistor locking screw	3241
815	Pan head screw	-

This diagram is provided to assist you to identify parts if replacement is necessary. Contact your place of purchase or the manufacturer to enquire about parts, availability and/or service.



Ref.	Description	Part No.
020	Ambient temperature thermistor	40680
714	Sensor harness	-
715	Heater relay harness	-
719	Igniter earth harness	-
720	Anti-freeze heater - 3	-
722	Heat exchanger freeze prevention heater	-
723	Valve heater	-
724	Latent heat exchanger freeze prevention heater	-
750	Controller harness	40667
-	Remote control lead (pre-wired mini plug) (1 is supplied with each unit—located with guides in a small plastic bag)	40293

