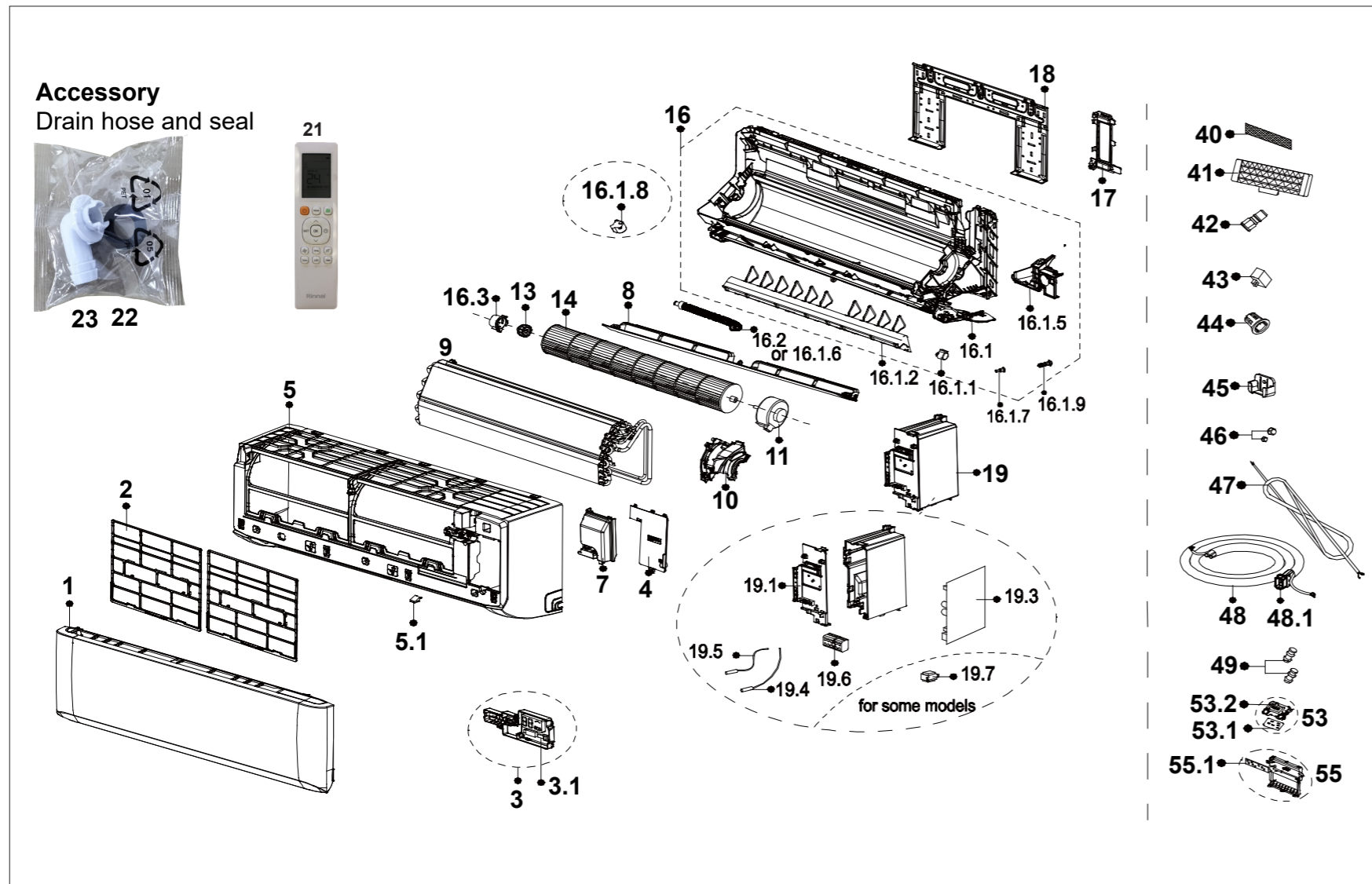


This diagram is provided to assist you to identify parts if replacement is necessary. Contact your place of purchase or the manufacturer to enquire about parts, availability and/or service.

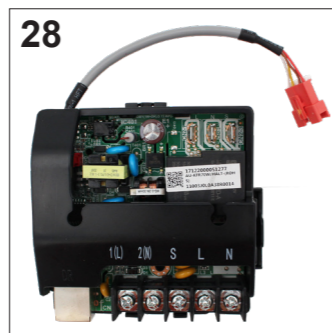
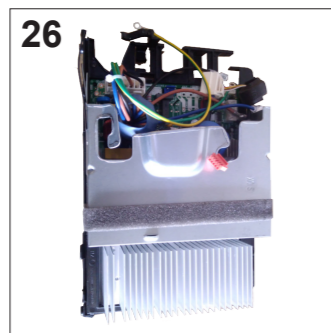
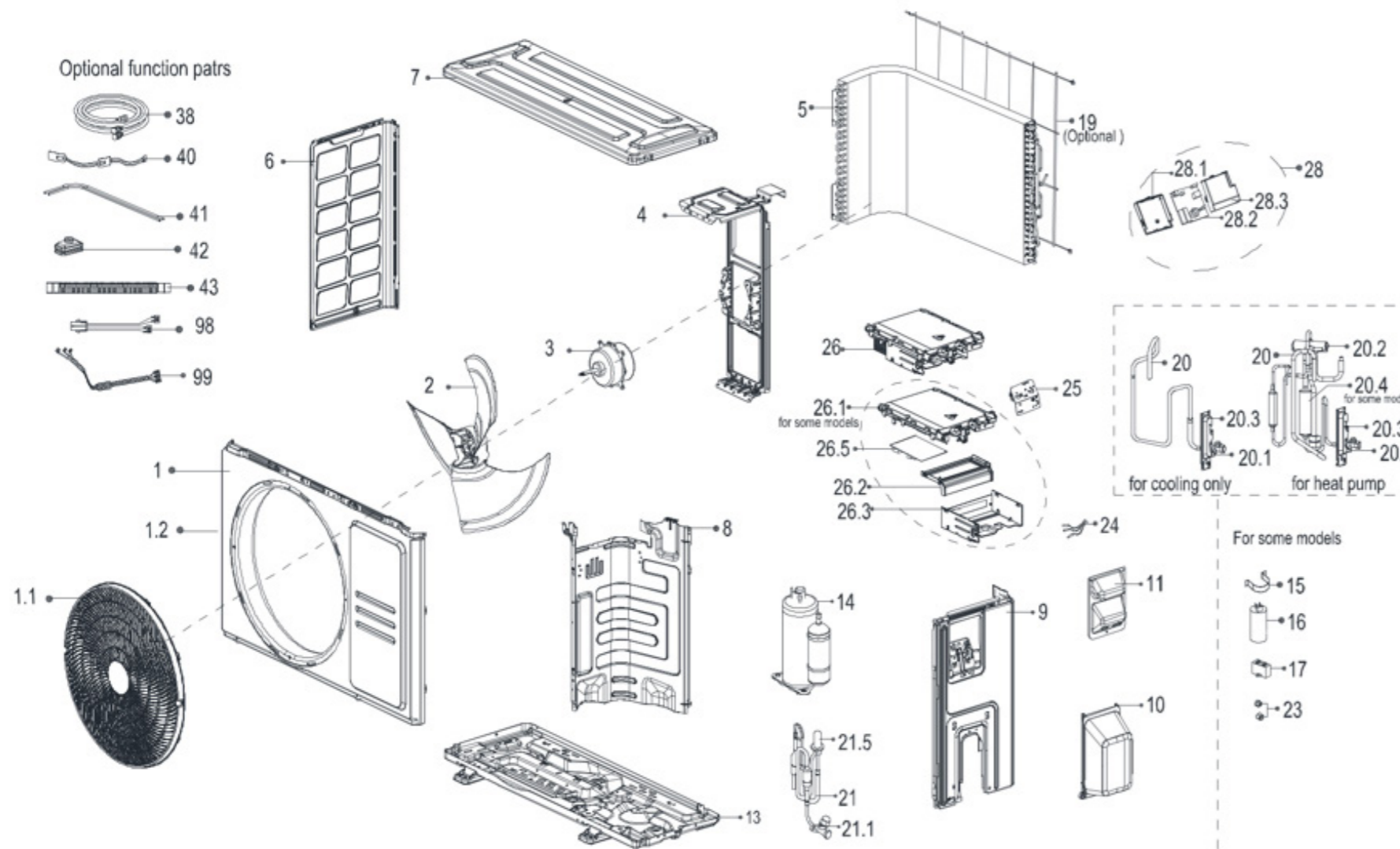


#54 - 14191



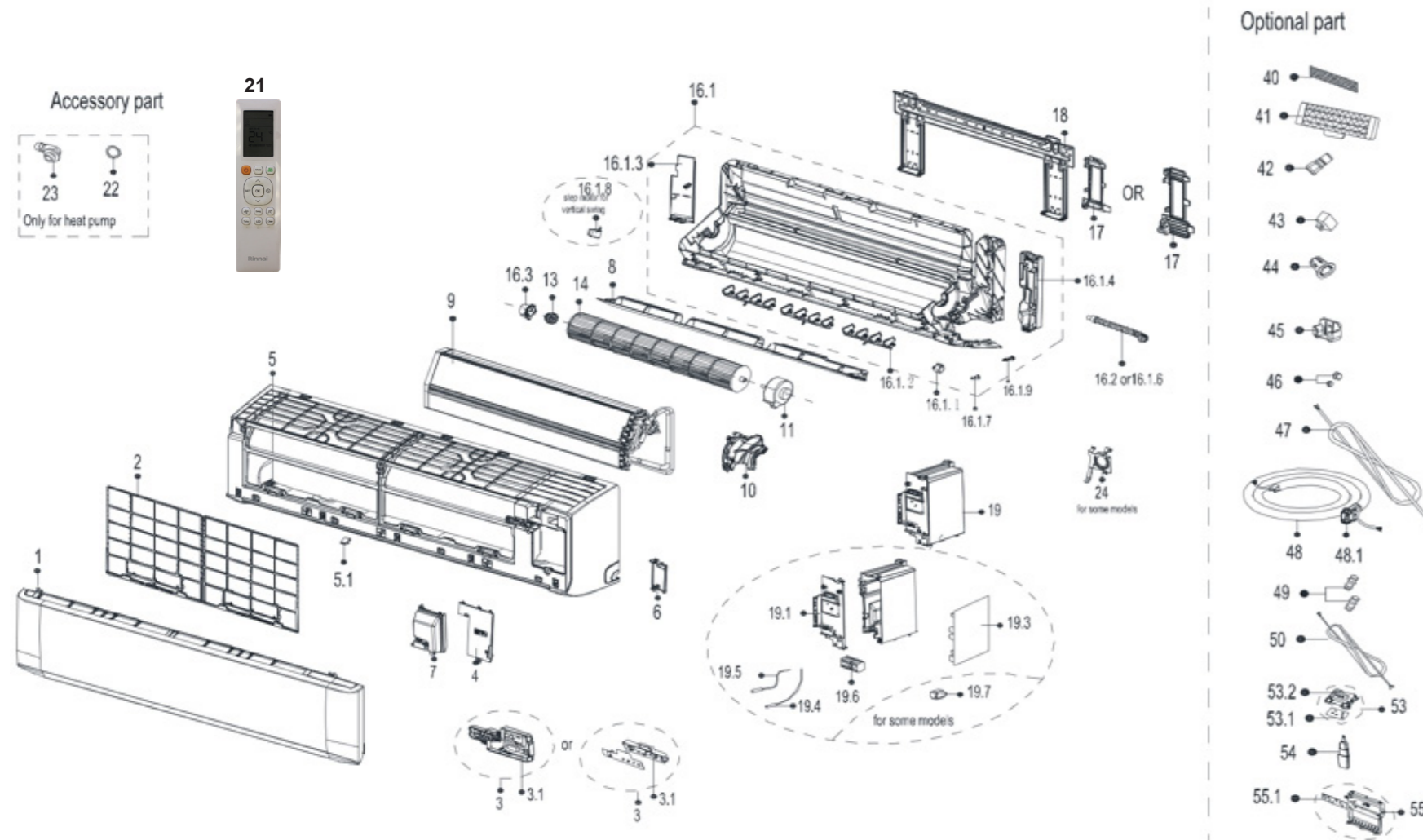
INDOOR UNIT			
Ref.	Description / ID		Part No.
1	Panel assembly 2.6-3.5 kW	12122000A85426	14100
2	Filter assembly	12100204000522	14101
3	PCB display 2.6-6.0 kW	17222000A58426	14102
4	Electrical cover board	12122000024739	-
5	Panel frame assembly 2.6-3.5 kW	12122000025543	14103
5.1	Screw cap (all models)	12122000013139	14150
7	Wiring cover board 2.6-7.0 kW	12122000025064	-
8	Horizontal louvre assembly 2.6-3.5 kW	12122000025544	14104
9	Evaporator assembly 2.6-3.5 kW	15822000A19145	-
10	Fan motor cover 2.6-3.5 kW	12122000029503	-
11	Fan motor indoor (DC) 2.6-3.5 kW	11002015000150	14105
13	Bearing assembly (all models)	12622000000131	-
14	Fan scroll 2.6-3.5 kW	12100102000576	14106
16.1	Chassis assembly 2.6-3.5 kW	12122000026444	-
16.1.1	Step motor louvre 2.6-3.5 kW	11002010000143	14107
16.1.2	Horizontal vane assembly 2.6-3.5 kW	12122000025629	-
16.1.8	Step motor for vertical swing 2.6-3.5 kW	11002010A00014	-
16.3	Bearing holder (all models)	12122000000350	-
18	Mounting plate 2.6-3.5 kW	12222000A00811	-
19	PCB indoor unit 2.6 kW	17222000A64872	14220
19	PCB indoor unit 3.5 kW	17222000A64891	14221
19.4	Room temperature sensor 2.6-6.0 kW	11201007003424	14109
19.5	Pipe temperature sensor 2.6-6.0 kW	11201007003447	14110
21	Remote controller	17317000A61687	14111
40	Air freshening filter - charcoal	12100204000685	14112
45	Remote control wall bracket	12122000029201	-
54	Wi-Fi module sub-assembly	17310900A06262	14191
-	Display unit 3.5 kW (dummy head)	-	ZHINRP35B
-	Nut brass flare 1/4"	-	15016
-	Nut brass flare 3/8"	-	15017

This diagram is provided to assist you to identify parts if replacement is necessary. Contact your place of purchase or the manufacturer to enquire about parts, availability and/or service.



OUTDOOR UNIT		
Ref.	Description / ID	Part No.
1	Front panel assembly 2.6-3.5 kW	12222000013385 -
1.1	Grille front all models	12122000026241 14113
1.2	Front panel	12222000013386 -
2	Fan outdoor unit 2.6-3.5 kW	12100105000881 -
3	Fan motor outdoor (DC) 2.6-3.5 kW	11002015012128 14114
4	Fan motor support bracket 2.6-3.5 kW	12222000013200 -
5	Condenser assembly 2.6-3.5 kW	15822000013786 -
6	Outdoor panel left 2.6-3.5 kW	12222000013197 -
7	Top cover assembly 2.6-3.5 kW	12222000013193 14115
8	Partition board 2.6-3.5 kW	12222000013208 -
9	Outdoor panel right 2.6-3.5 kW	12222000013190 -
10	Outdoor water deflector (all models)	12122000007150 -
11	Outdoor big handle assembly (all models)	- -
14	Compressor rotary DC 2.6-3.5 kW	11103020006759 -
20	4-way valve assembly 2.6-3.5 kW	15422000018272 -
20.1	Gas valve 2.6-3.5 kW	15500204000021 -
20.2	4-way valve 2.6-3.5 kW	15500216001903 -
20.3	Valve plate 2.6-3.5 kW	12222000002571 -
20.4	Muffler sub-assembly 2.6-3.5 kW	15122000026437 -
21	Liquid valve assembly	15422000004932 -
24	Combination sensor 2.6-3.5 kW	11201011000067 14116
25	Terminal board bracket HON 2.6-3.5 kW	12222000002259 14145
26	Electronic control board assy. 2.6-3.5 kW	17222000033078 14117
26.5	Outdoor main control board sub-assy 2.6-3.5 kW	17122000060437 14194
28	Terminal board assy 2.6-3.5 kW	17222000033634 14143
28.1	Electronic installing box (all models)	12122000026561 -
28.2	Inverter control board sub-assy. (all models)	17122000051277 -
28.3	Electronic control box cover 2.6 & 3.5 kW	12122000026562 -
-	Nut brass flare ¼	- 15016
-	Nut brass flare ⅜	- 15017

This diagram is provided to assist you to identify parts if replacement is necessary. Contact your place of purchase or the manufacturer to enquire about parts, availability and/or service.

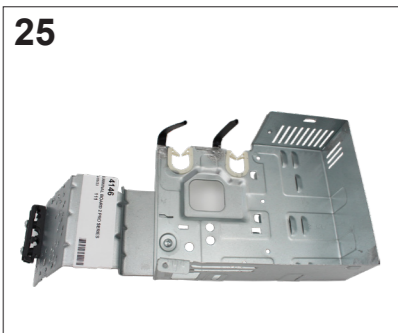
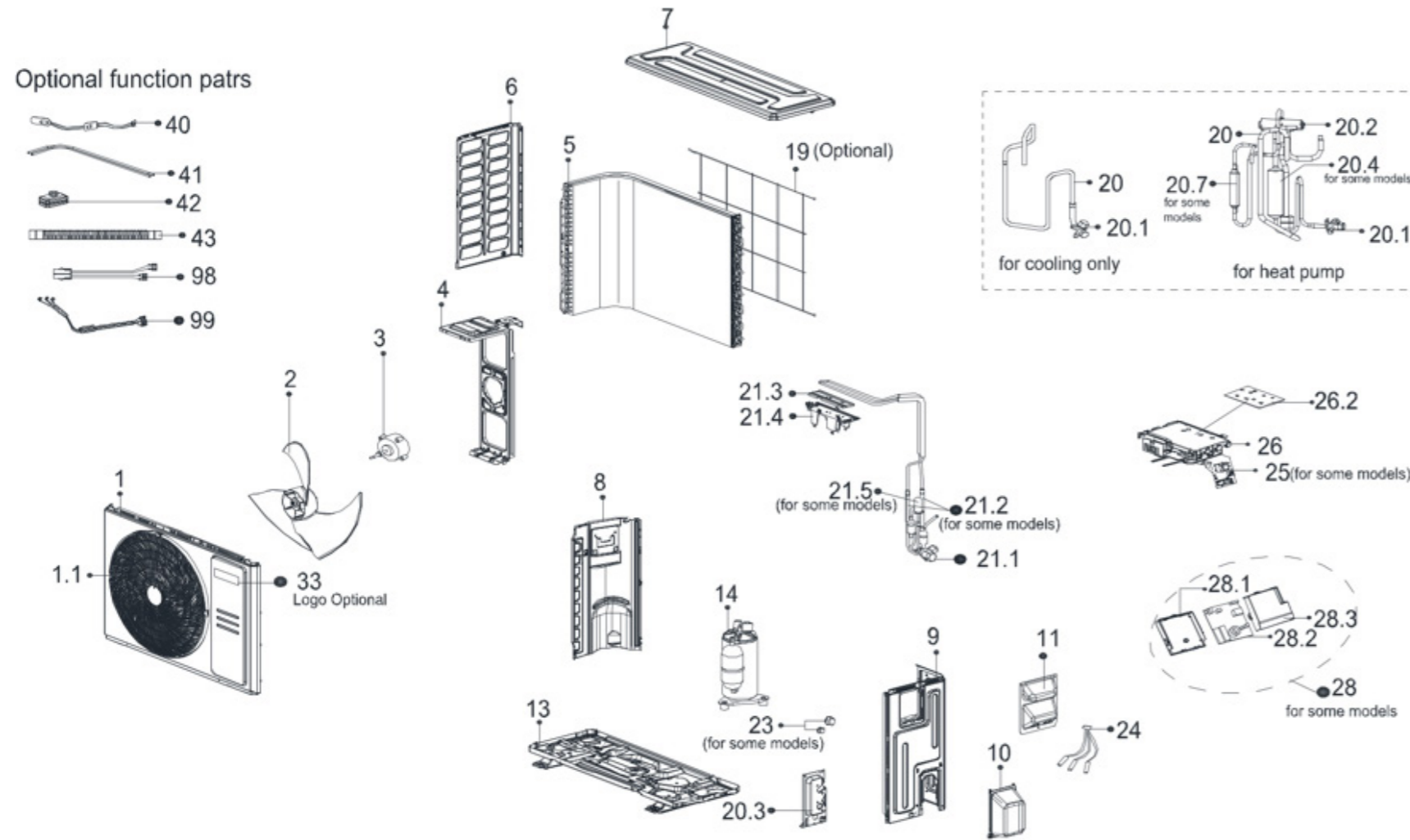


#54 - 14191



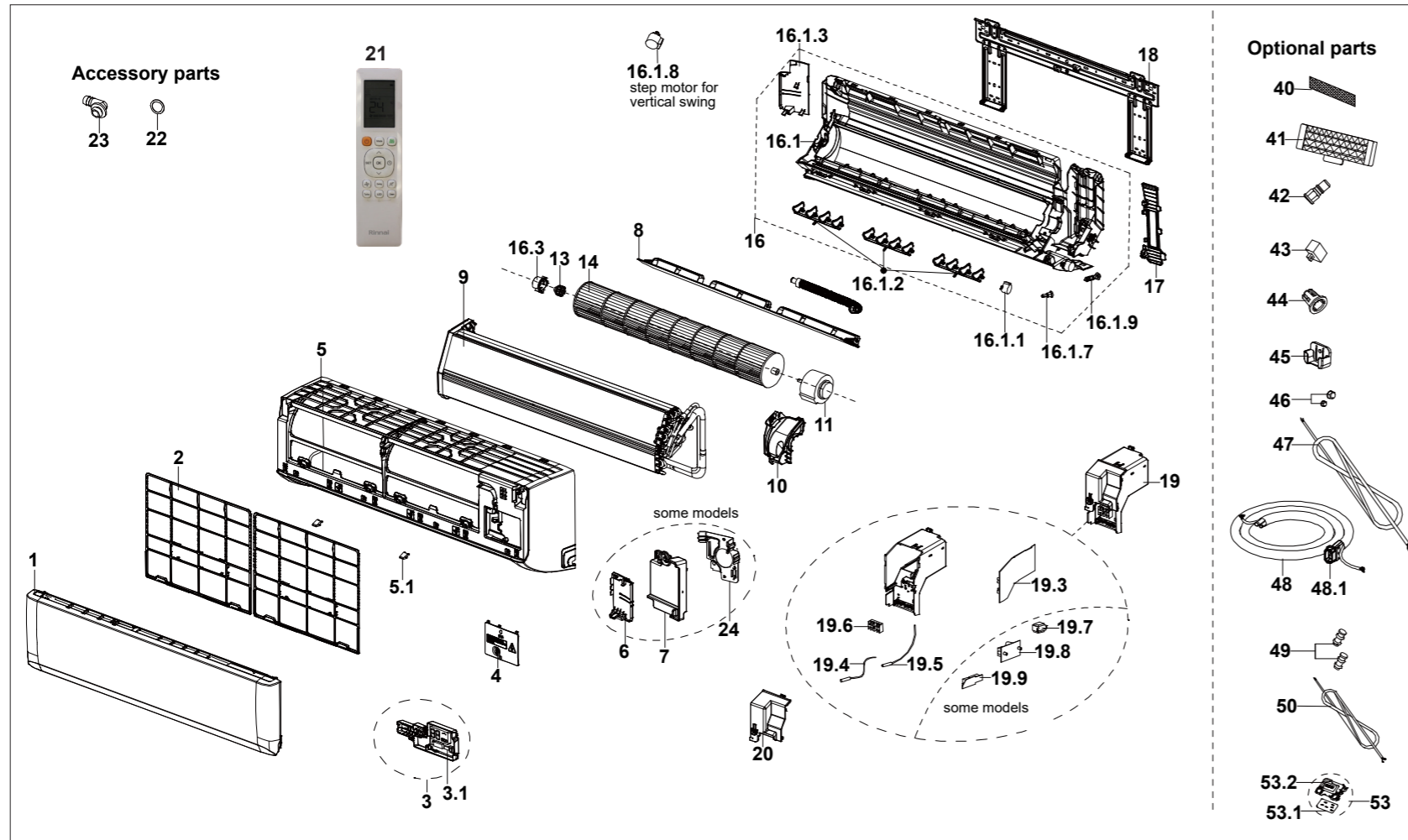
INDOOR UNIT			
Ref.	Description / ID		Part No.
1	Front panel 5.0-6.0 kW	12122000A85424	14119
2	Air filter sub-assembly 5.0-6.0 kW	12100204000397	14120
3	PCB display 2.6-7.0 kW	17222000A58426	14102
3.1	Display board sub-assembly	17122000047923	14190
4	Electrical cover board 2.6-6.0 kW	12122000024739	-
5	Panel frame assembly 5.0-6.0 kW	12122000025561	14121
5.1	Screw cap (all models)	12122000013139	14150
7	Wiring cover board 2.6-6.0 kW	12122000025064	-
8	Horizontal louvre assembly 5.0-6.0 kW	12122000025565	14122
9	Evaporator assembly 5.0-6.0 kW	15822000A19147	-
10	Fan motor cover 5.0-6.0 kW	12122000005538	-
11	Fan motor indoor (DC) 5.0-6.0 kW	11002015011867	14123
13	Bearing assembly (all models)	12622000000131	-
14	Fan scroll 5.0-6.0 kW	12100102A00146	14129
16.1	Chassis assembly 5.0-6.0 kW	12122000026406	-
16.1.1	Step motor louvre 5.0-6.0 kW	11002010000077	14125
16.1.2	Horizontal vane assembly 5.0-6.0 kW	12122000000117	-
16.1.3	Front cover of chassis (left) 5.0-6.0 kW	12122000004612	-
16.1.4	Electrical control box holder 5.0-6.0 kW	12122000026403	-
16.1.8	Step motor for vertical swing 5.0-6.0 kW	11002010000161	-
16.3	Bearing holder (all models)	12122000004612	-
18	Mounting plate 5.0-6.0 kW	12222000003595	-
19	PCB indoor unit 5.0 & 6.0 kW	17222000A64873	14222
19.4	Room temperature sensor 2.6-6.0 kW	11201007003424	14109
19.5	Pipe temperature sensor 2.6-6.0 kW	11201007003447	14110
21	Remote controller	17317000A61687	14111
40	Air freshening filter - charcoal	12100204000685	14112
45	Remote control wall bracket	12122000029201	-
54	Wi-Fi module sub-assembly	17310900A06262	14191
-	Display unit 6 kW (dummy head)	-	ZHINRP60B
-	Nut brass flare ¼	-	15016
-	Nut brass flare ½	-	15018

This diagram is provided to assist you to identify parts if replacement is necessary. Contact your place of purchase or the manufacturer to enquire about parts, availability and/or service.



OUTDOOR UNIT			
Ref.	Description / ID		Part No.
1	Front panel assembly 5.0-8.0 kW	12222000013505	-
1.1	Grille front all models	12122000026421	14113
2	Fan outdoor unit 5.0-8.0 kW	12100105000841	
3	Fan motor outdoor (DC) 5.0-8.0 kW	11002015000366	14127
4	Fan motor support bracket 5.0-8.0 kW	12222000012371	-
5	Condenser assembly 5.0-6.0 kW	15822000010723	-
6	Outdoor panel left 5.0-8.0 kW	12222000012929	-
7	Top cover assembly 5.0-8.0 kW	12222200005737	14128
8	Partition board 5.0-8.0 kW	12222000012366	-
9	Outdoor panel right 5.0-8.0 kW	12222000012930	-
10	Outdoor water deflector (all models)	12122000007150	-
11	Outdoor big handle assembly (all models)	-	-
14	Compressor rotary (DC) 5.0-6.0 kW	11103020003919	-
20	4-way valve assembly 5.0-8.0 kW	15422000018177	-
20.1	Gas valve 5.0-6.0 kW	15500204000058	-
20.2	4-way valve 5.0-6.0 kW	15500216000026	-
20.3	Valve plate 5.0-8.0 kW	12222200005738	-
20.4	Muffler sub-assembly 5.0-6.0 kW	15122000025983	-
21	Liquid valve assembly	15122000025163	-
24	Sensor combination 5.0-8.0 kW	11201011000188	14129
25	Terminal board bracket HON 5.0-8.0 kW	17222000031639	14146
26	Electronic control board sub-assy 5.0-6.0 kW	17222000042396	14224
28	Terminal board assy 5.0-8.0 kW	17222000034094	14144
28.1	Electronic installing box (all models)	12122000026561	-
28.2	Inverter control board sub-assy. (all models)	17122000051277	-
28.3	Electronic control box cover 5.0-8.0 kW	12122000A79524	-
-	Nut brass flare ¼	-	15016
-	Nut brass flare ½	-	15018

This diagram is provided to assist you to identify parts if replacement is necessary. Contact your place of purchase or the manufacturer to enquire about parts, availability and/or service.

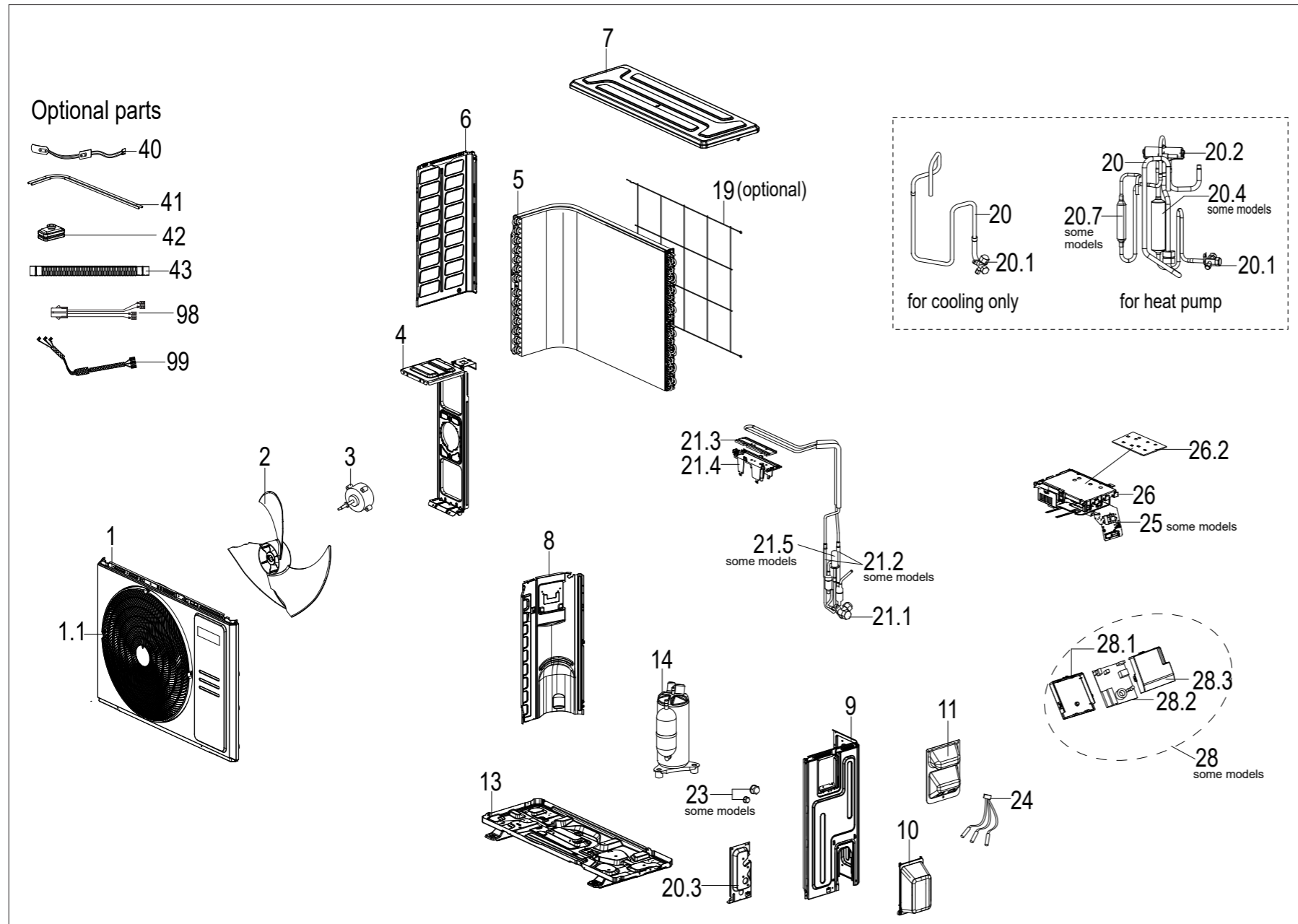


#54 - 14191



INDOOR UNIT			
Ref.	Description / ID		Part No.
1	Front panel 7.0-8.0 kW	12122000A85425	14131
2	Air filter sub-assembly 7.0-8.0 kW	12100204000461	14132
3	PCB display 7.0 & 8.0 kW	17222000A61712	14217
4	Electrical cover board 7.0-8.0 kW	12122000025611	-
5	Panel frame assembly 7.0-8.0 kW	12122000025606	14134
5.1	Screw cap (all models)	12122000013139	14150
7	Wiring cover board 7.0-8.0 kW	12122000004608	-
8	Horizontal louvre assembly 7.0-8.0 kW	12122000025607	14135
9	Evaporator assembly 7.0-8.0 kW	15822000A20183	-
10	Fan motor cover 7.0-8.0 kW	12122000005512	-
11	Fan motor indoor (DC) 7.0-8.0 kW	11002015014771	14128
13	Bearing assembly (all models)	12622000000131	-
14	Fan scroll 7.0-8.0 kW	12100102000018	14137
16.1	Chassis assembly 7.0-8.0 kW	12122000026405	-
16.1.1	Step motor - louvre 7.0-8.0 kW	11002010000049	14138
16.1.2	Horizontal vane assembly 7.0-8.0 kW	12122000000136	-
16.1.3	Front cover of chassis (left) 7.0-8.0 kW	12122000004614	-
16.1.8	Step motor for vertical swing 7.0-8.0 kW	11002010000161	-
16.3	Bearing holder (all models)	12122000000350	-
18	Mounting plate 7.0-8.0 kW	12222000003595	-
19	PCB indoor unit 7.0-8.0 kW	17222000A65692	14223
19.3	Main control board sub-assy 7.0-8.0 kW	17122000058149	-
19.4	Room temperature sensor 7.0-8.0 kW	11201007003425	14140
19.5	Pipe temperature sensor 7.0-8.0 kW	11201007003445	14141
21	Remote controller	17317000A61687	14111
40	Air freshening filter - charcoal	12100204000685	14112
45	Remote control wall bracket	12122000029201	-
54	Wi-Fi module sub-assy	17310900A06262	14191
-	Nut brass flare $\frac{3}{8}$	15500406000003	15017 (SI)
-	Nut brass flare $\frac{1}{4}$	15500406000016	15019 (SI)

This diagram is provided to assist you to identify parts if replacement is necessary. Contact your place of purchase or the manufacturer to enquire about parts, availability and/or service.



### OUTDOOR UNIT

Ref.	Description / ID		Part No.
1	Front panel assembly 5.0-8.0 kW	12222000013505	-
1.1	Grille front all models	12122000026421	14113
2	Fan outdoor unit 5.0-8.0 kW	12100105000841	
3	Fan motor outdoor (DC) 5.0-8.0 kW	11002015000366	14127
4	Fan motor outdoor support 5.0-8.0 kW	12222000012371	-
5	Condenser assembly 7.0-8.0 kW	15822000009796	-
6	Left support 5.0-8.0 kW	12222000012929	-
7	Top cover assembly 5.0-8.0 kW	12222200005737	14128
8	Partition board 5.0-8.0 kW	12222000012366	-
9	Outdoor panel right 5.0-8.0 kW	12222000012930	-
10	Outdoor water deflector (all models)	12122000007150	-
11	Outdoor big handle assembly (all models)	-	-
14	Compressor rotary (DC) 7.0-8.0 kW	11103020010159	-
20	4-way valve assembly 5.0-8.0 kW	15422000022921	-
20.1	Gas valve 7.0 & 8.0 kW	15500204000502	-
20.2	4-way valve 7.0-8.0 kW	15500216000026	-
20.3	Valve plate 5.0-8.0 kW	12222200005738	-
20.4	Muffler sub-assembly 7.0-8.0 kW	15122000030817	-
21	Liquid valve assembly	15122000030797	-
24	Combination sensor 5.0-8.0 kW	11201011000188	14129
25	Terminal board bracket HON 5.0-8.0 kW	17222000031639	14146
26	PCB assembly outdoor 7.0 & 8.0 kW	17222000039767	14225
28	Terminal board assy 5.0-8.0 kW	17222000039786	14197
28.1	Electronic installing box (all models)	12122000026561	-
28.2	Inverter control board sub-assy. (all models)	17122000054444	-
28.3	Electronic control box cover 5.0-8.0 kW	12122000A79524	-

