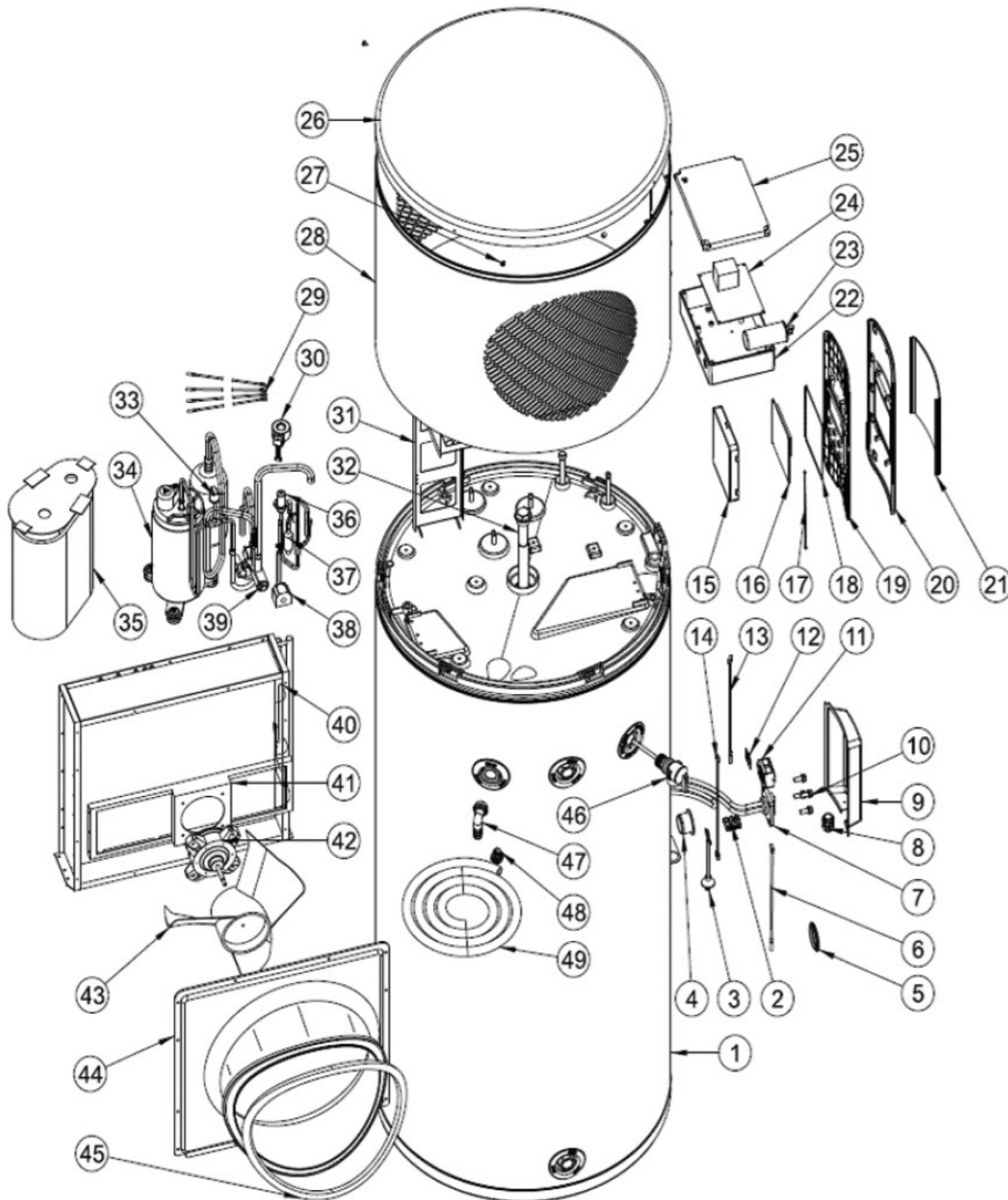


This diagram is provided to assist you to identify parts if replacement is necessary. Contact your place of purchase or the manufacturer to enquire about parts, availability and/or service.



REFRIGERANT

This appliance uses R290 refrigerant, which is a class A flammable gas according to ISO 817 and MUST be handled by a refrigeration mechanic with an appropriate refrigerant handling license. Only qualified and trained service providers can work on this appliance, and only those with a refrigerant handling license and A3 refrigerant awareness can work on the refrigerant circuit of the Enviroflo.



Ref.	Description	Part number
1	Water tank	
2	Three junction terminals	
3	Plug power cord	
4	Element seal / gasket	20937
5	Outer casing cap	
6	Tank temperature sensor	92540083
7	Element 2.4 kW Kawai 4-bolt (includes #4 element seal)	15392
7	Element 1 kW EHPG265VM10 (includes #4 element seal)	15390
8	Cable waterproof sheath	
9	Waterproof electrical cover	
10	M8 bolt	
11	Thermostat	92540089
12	Sensor pressure card	
13	Tank temperature sensor (same part as #6)	92540083
14	Sensor transfer wiring	
15-19	Display assembly	92540091
20	Display decoration board	
21	Display cover	92540093
22	Electric control EX rated box	
23	Capacitor compressor	92540095
24	Main PCB	92540097
25	Transparent cover plate	
26	Top panel	92540099
27	ST4.2 self-tapping nail	
28	Top shroud	92540101
29-1	Ambient temp. sensor (TA red)	
29-2	Temp. suction sensor (TS black)	
29-3	Discharge temp. sensor (TD white)	
29-4	Evaporator temp. sensor (TE blue)	
30	Coil EEV for DPF1.3C 1m Dunan	
31	Control box support frame	

Ref.	Description	Part number
32	Anode 215 L / 265 L	92540103
32	Anode 280 L / 300 L	92540105
33	High pressure switch	
34	Compressor	
35	Silent protective cotton	
36	EEV EHPG	
37	Filter	
38	Coil 4-way valve	
39	Four way valve	
40	Evaporator	
41	Fan support	
42	Fan motor	92540109
43	Fan blade	92540111
44	Air flow channel	
45	Air flow seal channel	
46	TPR valve 1/2 " 1000 kPa 10kW, 99 °C	95110048
47	Drain hose elbow	
48	Drain pipe hose clamp	
49	Condensate drain pipe 2 m	

This diagram is provided to assist you to identify parts if replacement is necessary. Contact your place of purchase or the manufacturer to enquire about parts, availability and/or service.

20937: Element seal Kawai



Only needed if you damage the seal and it needs replacing.

92540083: Tank temp. sensor (45 mm)



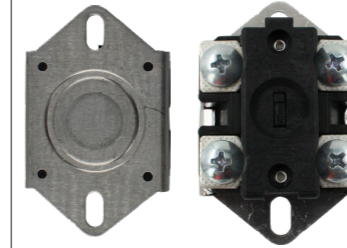
15392: 2.4 kW Kawai 4-bolt element and seal



15390: 1 kW Kawai 4-bolt element and seal



9250089: Thermostat GR



92540091: Display assembly
Front Back



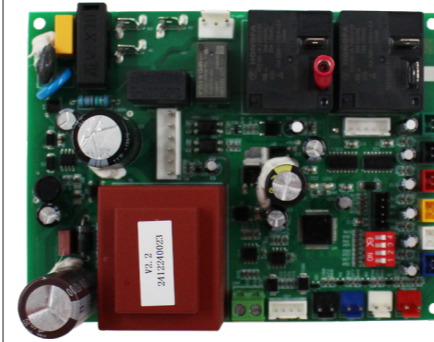
92540093: Display cover



92540095: Capacitor compressor



92540097: Enviroflo GR main PCB



92540099: Enviroflo GR to panel



92540101: Top shroud



92540103: 215 / 265 L anode
Ø20 1130 mm



92540105: 280 / 300 L anode
Ø20 1275 mm



925110048: TPR 1000kPa
½" 10 kW



Comes with two black moulded insulation pieces