



Pipe Cover Enclosure Installation Instructions

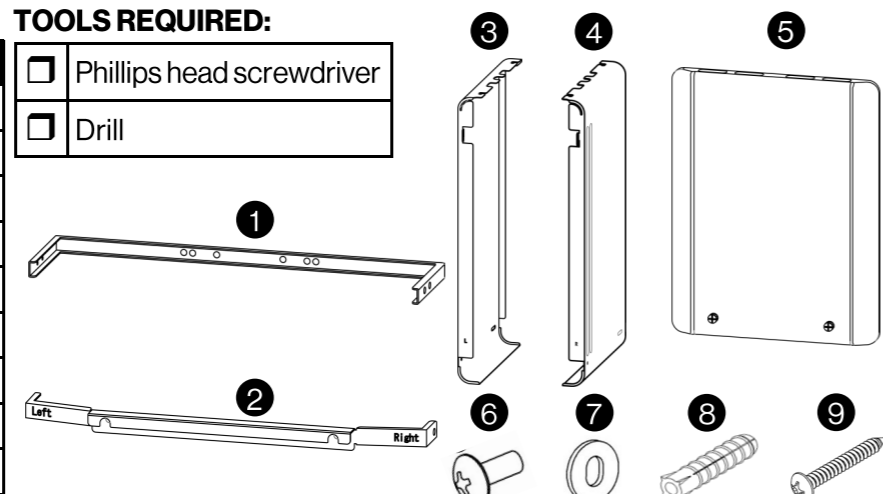
- Before installation, please make sure that all parts are located inside the product box. If any items are missing or damaged, contact your local dealer/distributor or contact Rinnai.
- For installation-related inquiries concerning this product, please contact Rinnai (see the Installation and Operation Manual for your local Rinnai Help Line contact details).

ITEMS INSIDE PRODUCT BOX

Item #	Item	Qty
1	Rear Bracket	1
2	Front Bracket	1
3	Left Side Panel	1
4	Right Side Panel	1
5	Front Panel	1
6	Screw M4 X 12	4
7	Plastic Washer M4	4
8	Wall Anchor	2
9	Wall Screw (Ø4.8 X 32)	2

TOOLS REQUIRED:

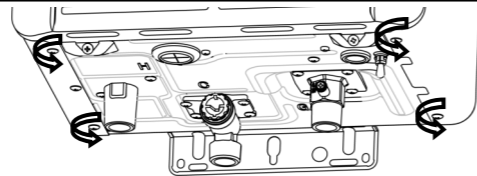
- Phillips head screwdriver
- Drill



INSTRUCTIONS

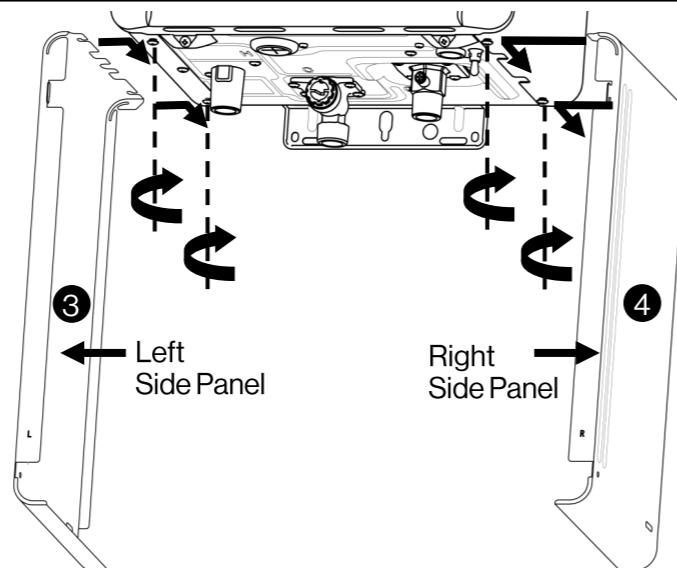
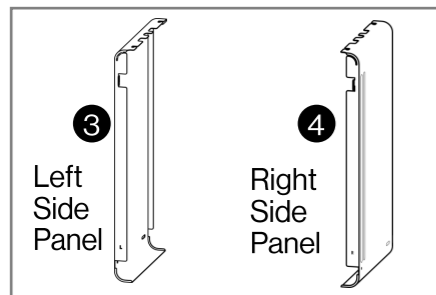
Water Heater Preparation

1. Loosen the four bottom cabinet screws without removing completely.



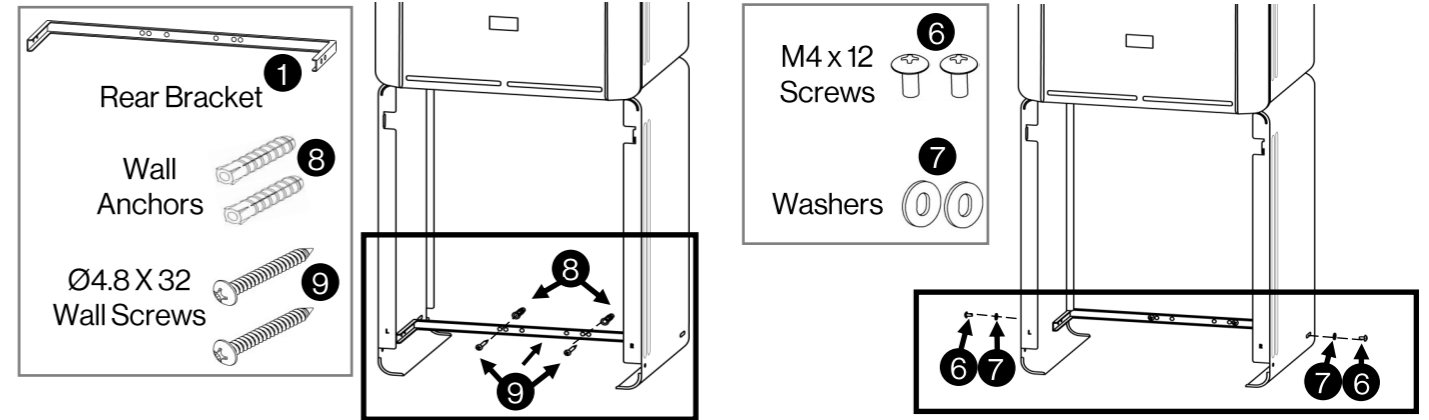
Side Panel Installation

2. Install the left side panel onto exposed tankless screws, using panel slots to hook the side panel in place.
3. Tighten the left side tankless cabinet screws.
4. Repeat steps 2 & 3 for the right side panel.



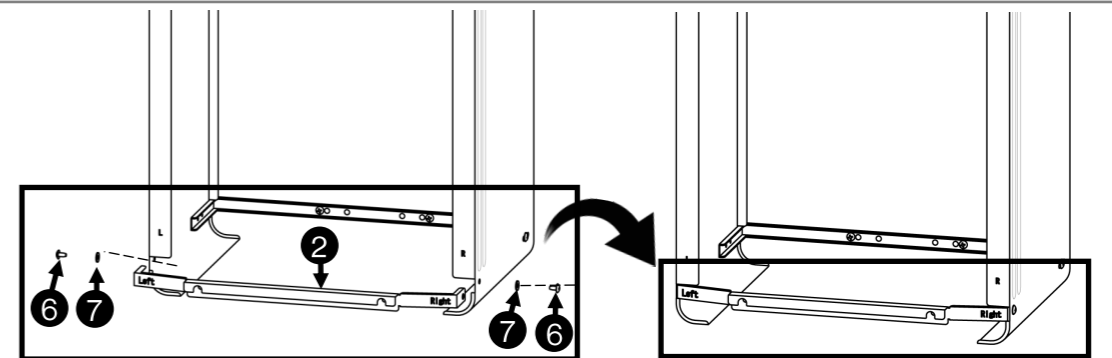
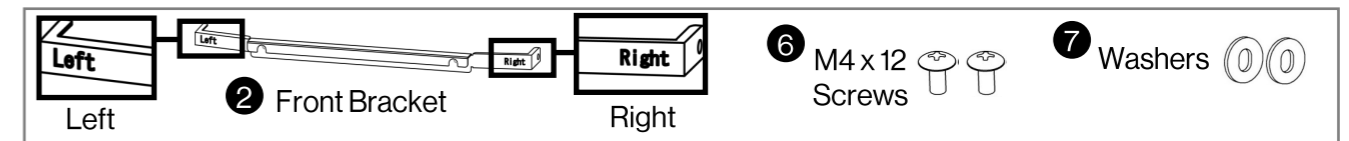
Rear Bracket Installation

5. Position the rear bracket up against the wall to locate the fastening location.
6. Using a drill (field-supplied), drill pilot holes into the wall and install two supplied wall anchors (if needed).
7. Attach the rear bracket onto wall using the provided two Ø4.8 X 32 wall screws.
8. Attach the left and right side panels to the rear bracket with two M4 x 12 screws and two washers.



Front Bracket Installation

9. Install the front bracket between the side panels using provided two M4 x 12 screws and two washers. Make sure "Right" on the front bracket is located on the right side, and "Left" is on the left side (see below).



Front Panel Installation

10. Attach the front panel to the pipe cover enclosure by inserting the two tab hooks on the front panel into the slots of the left panel and right panel (see tab hook and slot detail below).
11. Push the front panel upward and secure to the front bracket with the two thumb screws.

