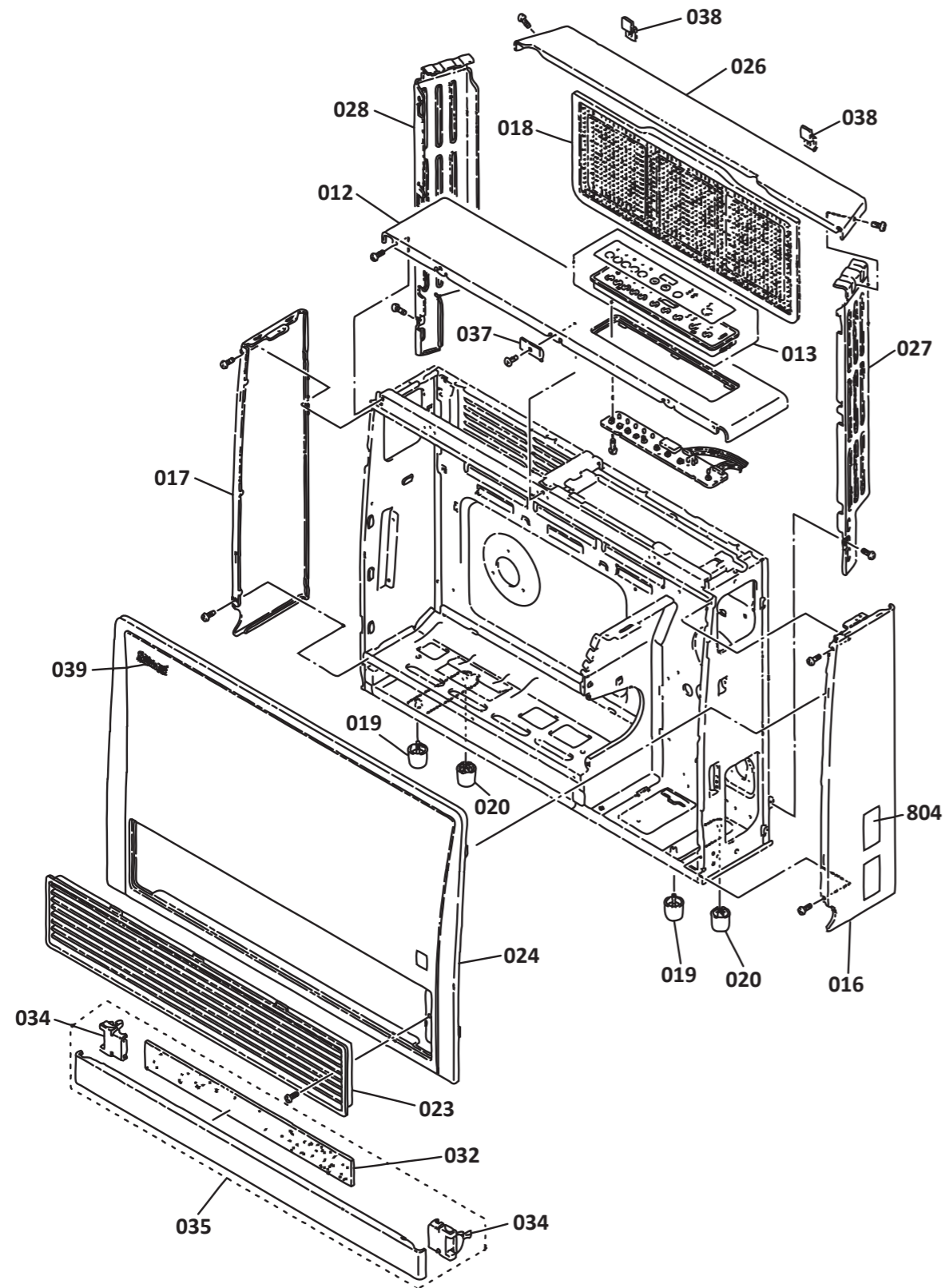
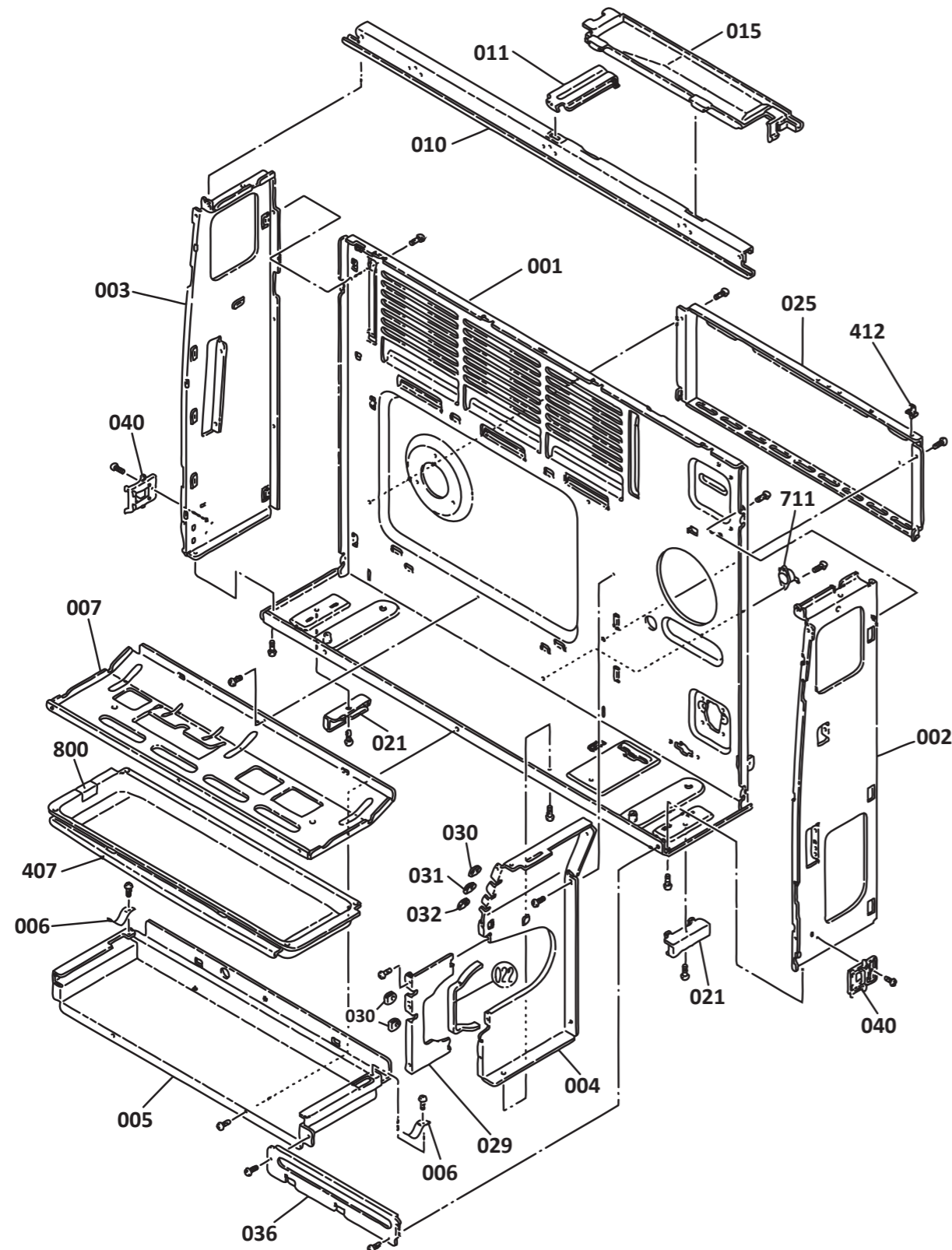


This diagram is provided to assist you to identify parts if replacement is necessary. Contact your place of purchase or the manufacturer to enquire about parts, availability and/or service.



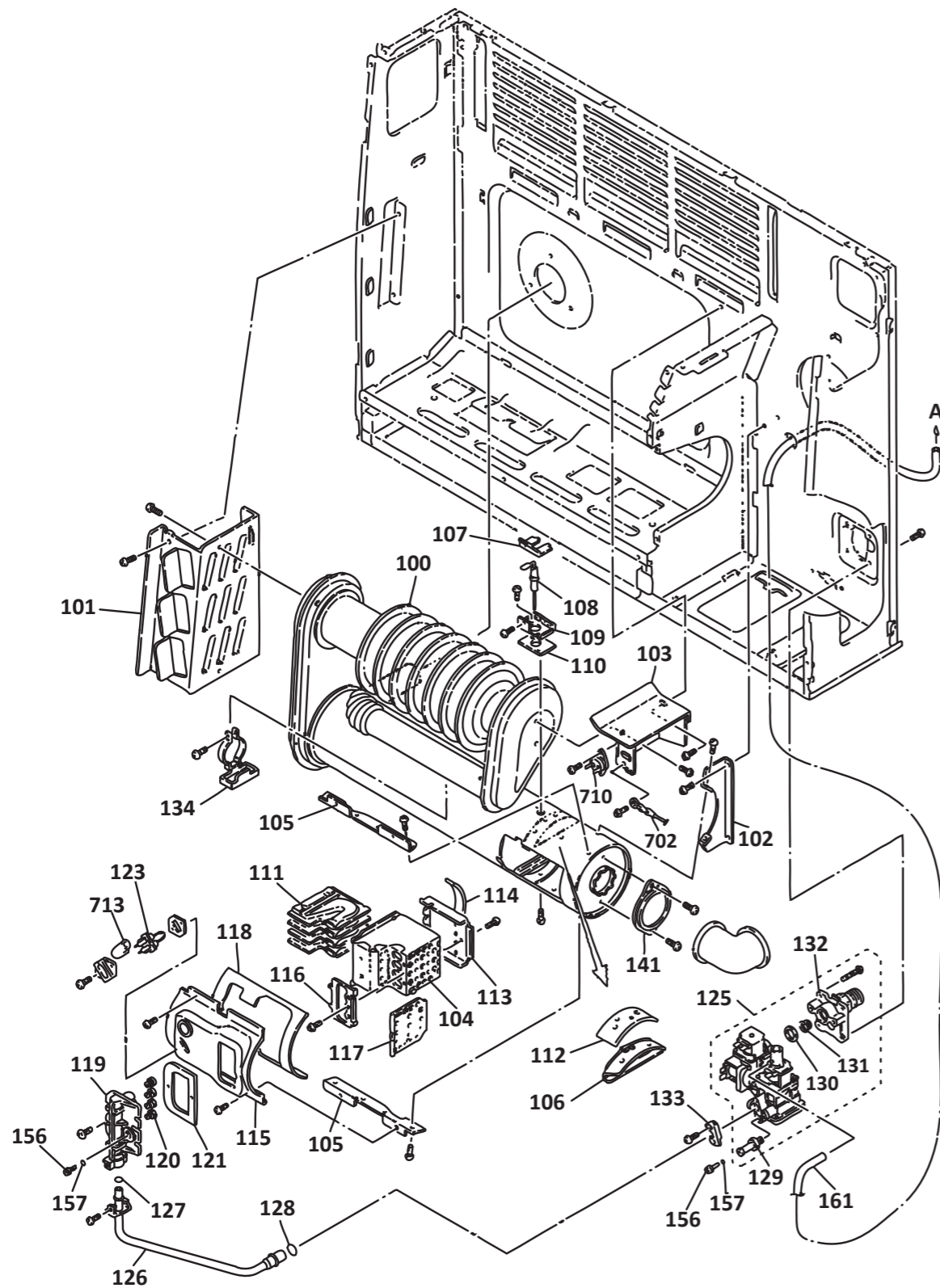
Ref.	Description	Qty.	Part No.
012	Top panel	1	5485
013	Control panel assembly	1	5486
016	Side panel RH	1	5488
017	Side panel LH	1	5489
018	Air filter assembly	1	3026i
019	Front leg	2	3403
020	Back leg	2	3405
023	Louvre assembly	1	5490
024	Front panel	1	5491
026	Back spacer top	1	5493
027	Back spacer RH	1	5494
028	Back spacer LH	1	5495
032	Heat insulator	1	5498
034	Latch front cover	2	5499
035	Lower front cover assembly	1	5501
037	Front panel bracket	1	5504
038	Clip	1	6684
039	Rinnai logo	1	5396
804	Warning label	1	5562

This diagram is provided to assist you to identify parts if replacement is necessary. Contact your place of purchase or the manufacturer to enquire about parts, availability and/or service.



Ref.	Description	Qty.	Part No.
001	Rear panel	1	5475
002	Frame RH	1	5477
003	Frame LH	1	5478
004	Frame center	1	5479
005	Bottom plate support	1	5480
006	Humidifier tray clip	1	5481
007	Base partition panel	1	5482
010	Top panel support horiz.	1	5483
011	Top panel support vertical	1	5484
015	Control panel support	1	5487
021	Floor fixing bracket	2	3541
022	Heat exchanger packing	1	4306
025	Heat shield panel rear	1	5492
029	Warm air seal panel	1	5432
030	Cord packing	1	5496
031	Cord packing	1	5497
036	Internal guard panel	1	5503
040	Latch bracket	2	5505
407	Humidifier tray	1	3111
412	Wire clip	1	5541
711	Overheat switch	1	4478
800	Water line label	1	5556

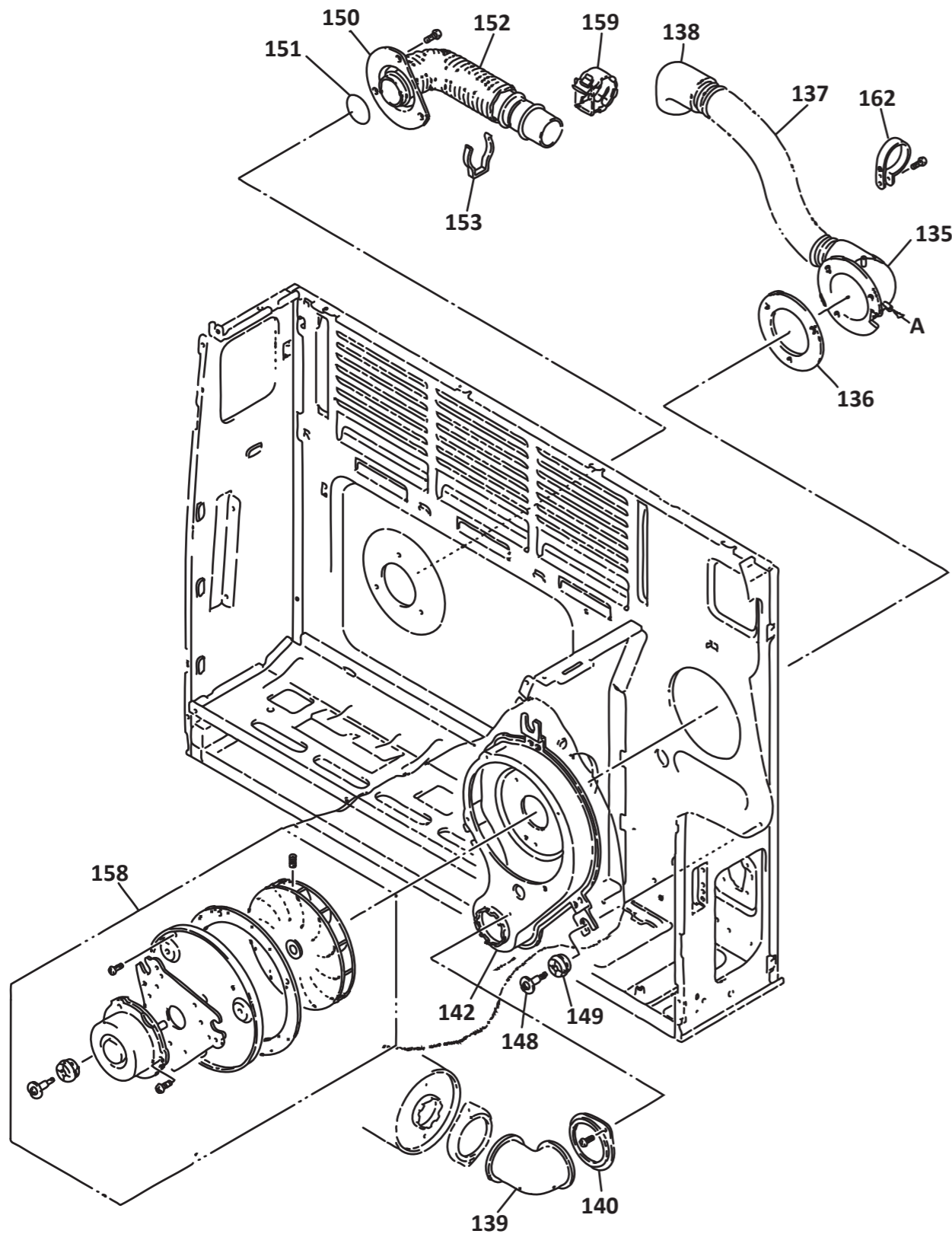
This diagram is provided to assist you to identify parts if replacement is necessary. Contact your place of purchase or the manufacturer to enquire about parts, availability and/or service.



Ref.	Description	Qty.	Part No.
100	Heat exchanger assembly	1	5506
101	Heat exchanger mounting plate	1	5507
102	Combustion chamber fixer	1	5410
103	OHS mounting plate	1	5508
104	Burner box	1	4370
105	Flange board	2	5414
106	Seal plate	1	5413
107	Flame rod retainer	1	5409
108	Flame rod	1	4299
109	Flame rod bracket	1	5400
110	Flame rod packing	1	4230
111	Burner assembly	1	3091
112	Seal plate packing	1	5412
113	Burner box support assembly	1	5511
114	Burner box packing	1	4231
115	Burner box fitting plate assy	1	5429
116	Damper primary air guide	1	5512
117	Secondary air damper NG	1	4238
117	Secondary air damper LPG	1	4267
118	Fitting plate packing	1	5430
119	Manifold 559	1	5520
120	Injector 0.82 LPG	1	5521
120	Injector NG	1	5420
121	Manifold packing	1	5428
123	Electrode kit	1	R1345
125	Gas control assembly	1	5433
126	Main gas tube assembly	1	5522
127	O-ring	1	6642
128	O-ring	1	2389
129	Pressure point	1	5657
130	Packing	1	10290
131	Gas filter	1	13019
132	Gas inlet	1	4360

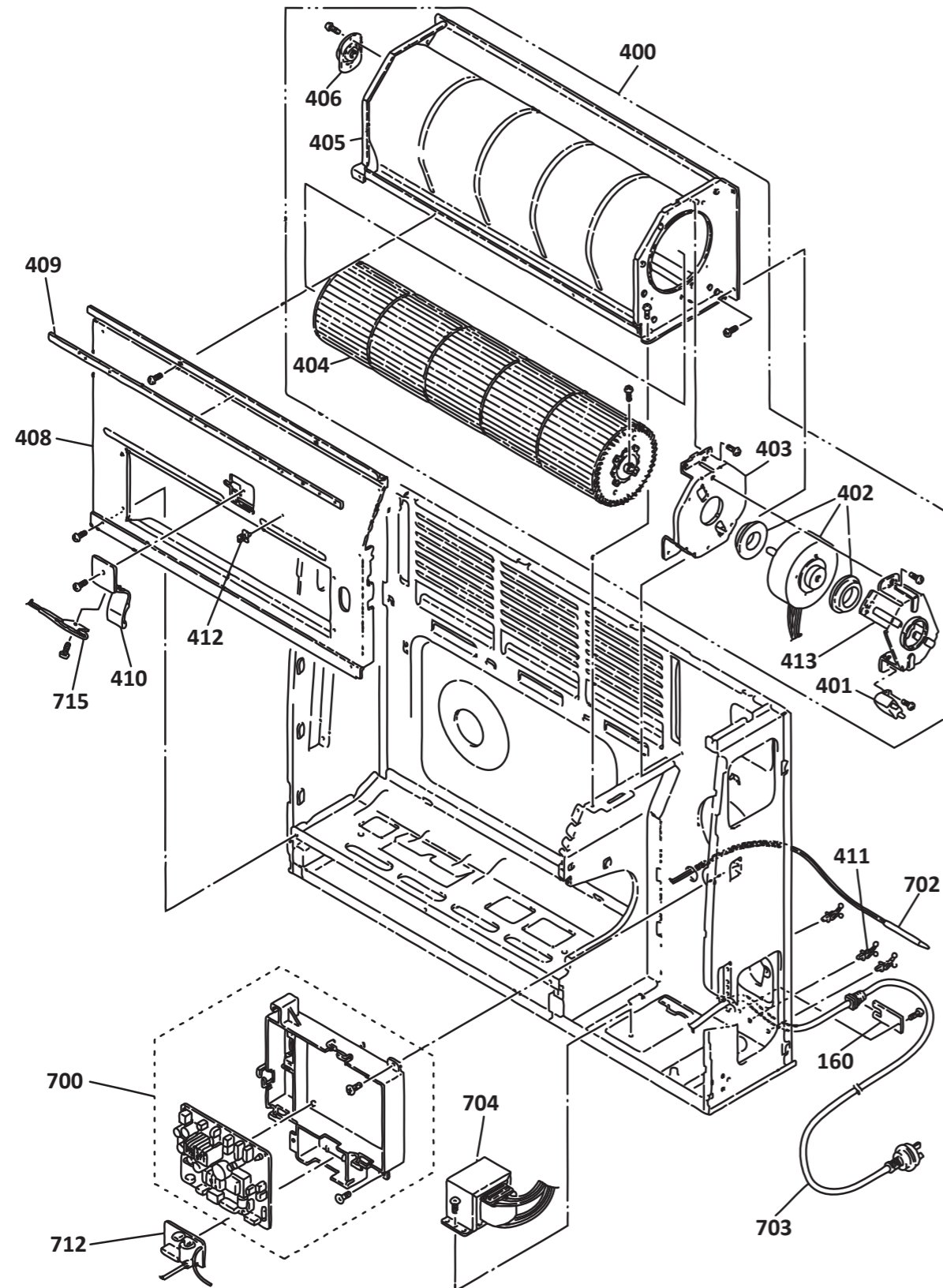
Ref.	Description	Qty.	Part No.
133	Connecting tube retainer	1	5438
134	Drain pan assembly	1	5525
141	Connecting tube fixer	1	5448
156	Test point screw c/w o-ring	1	15330
157	O-ring	2	2239
161	Pressure tube	1	5529
702	Room thermistor assembly	1	5544
710	Overheat switch	1	4385
713	Sleeve	1	7564

This diagram is provided to assist you to identify parts if replacement is necessary. Contact your place of purchase or the manufacturer to enquire about parts, availability and/or service.



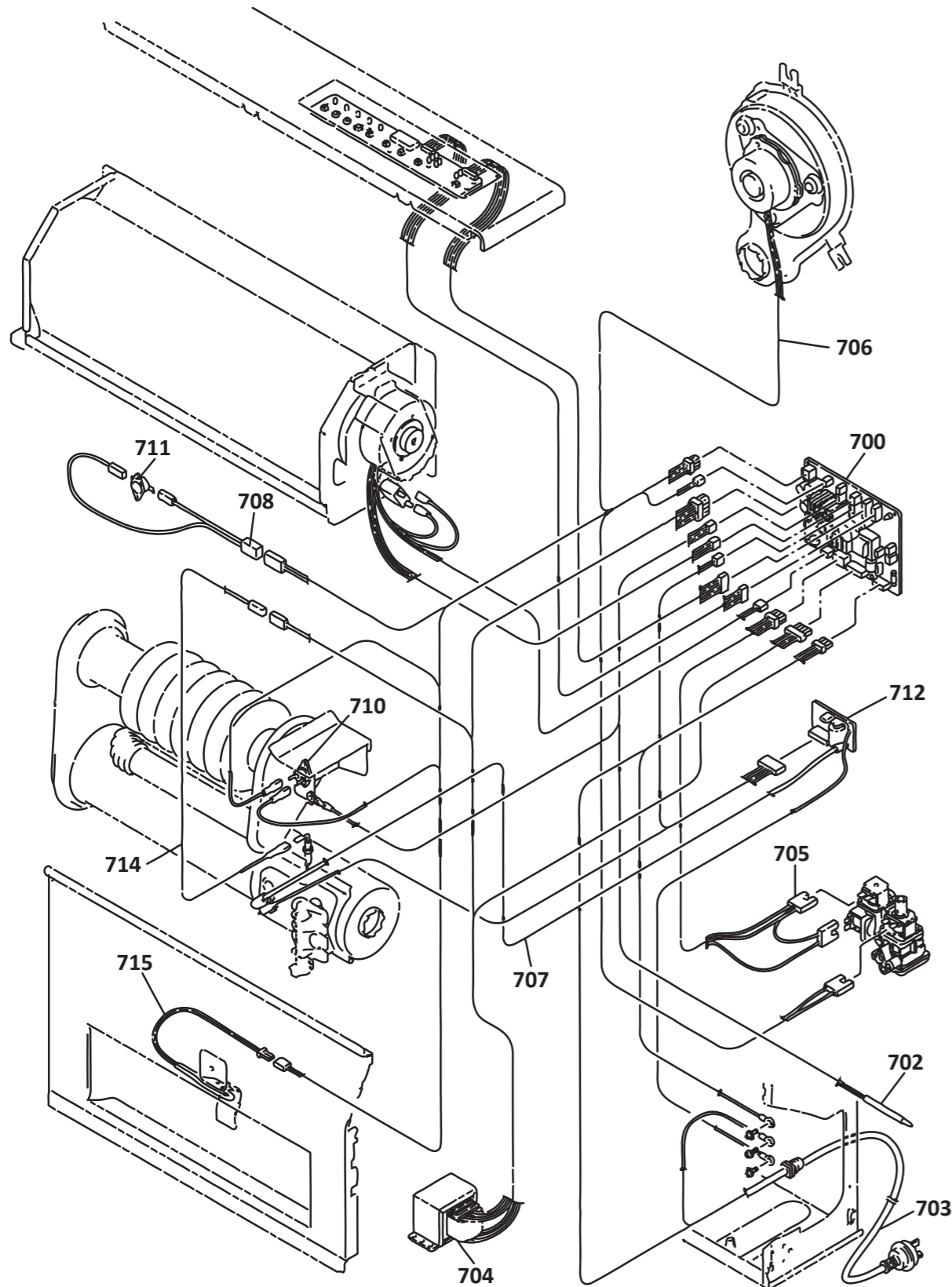
Ref.	Description	Qty.	Part No.
135	Air inlet	1	5451
136	Air inlet packing	1	4053
137	Air intake hose	1	4048
138	Air inlet elbow	1	4040
139	Connecting tube	1	3102
140	Connecting tube fixer	1	3103
142	Combustion fan casing assembly	1	5526
148	Screw for motor	1	10291
149	Cushion rubber	1	4364
150	Sliding flue tube assembly	1	5527
151	O-ring E	1	4037
152	Cover	1	4176
153	Ring	1	4171
158	Combustion fan motor assembly	1	5528
159	Pipe stopper assembly	1	3455
162	Clamp	1	4373
-	Energysaver flue fittings kit	1	3112

This diagram is provided to assist you to identify parts if replacement is necessary. Contact your place of purchase or the manufacturer to enquire about parts, availability and/or service.



Ref.	Description	Qty.	Part No.
160	Power supply cord bracket	1	5390
400	Convection fan total assembly	1	5530
401	Capacitor	1	3107
402	Convection fan motor	1	5531
403	Convection fan motor mounting	1	5532
404	Convection fan blade	1	5533
405	Convection fan casing assembly	1	5534
406	Bearing	1	5610
408	Heating shield assembly rear	1	5535
409	Heat shield seal	1	5537
410	Thermal fuse fixing plate	1	5460
411	Cable clip	1	5391
413	Convection fan motor bracket	1	5542
700	PCB assembly	1	5543
702	Room thermistor assembly	1	5544
703	Power supply cord	1	5546
704	Transformer	1	5549
712	Ignitor	1	13006
715	Thermal fuse harness	1	13011

This diagram is provided to assist you to identify parts if replacement is necessary. Contact your place of purchase or the manufacturer to enquire about parts, availability and/or service.



Ref.	Description	Qty.	Part No.
700	PCB assembly	1	5543
702	Room thermistor assembly	1	5544
703	Power supply cord	1	5546
704	Transformer	1	5549
705	Gas control IG harness	1	5552
706	Fan harness	1	5554
707	High tension cord	1	5467
708	OHS harness assembly	1	5555
710	Overheat switch	1	4385
711	Overheat switch	1	4478
712	Ignitor	1	5466
714	Flame rod lead	1	4398
715	Thermal fuse harness	1	5472