

# Symmetry RDV3611 / RDV900ETR

## Bevelled frame installation (12729-B)

NZ model: Symmetry RDV3611

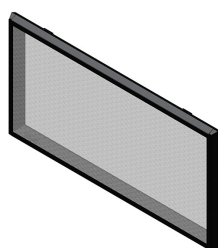
Australian model: RDV900ETR



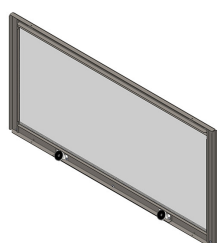
Before fitting the frames and dress guard<sup>1</sup> ensure that the:

- Glass panel is not damaged in any way.
- Rope seal gasket is seated correctly between the glass frame and the fire.
- Screws holding the glass frame to the spring loaded retainers have been backed off a quarter of a turn (to prevent binding).
- Glass frame moves freely on the spring loaded retainers.

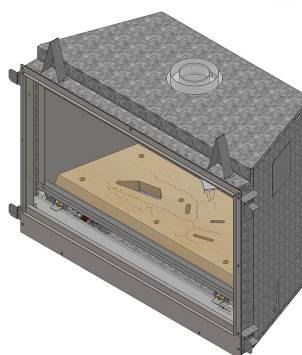
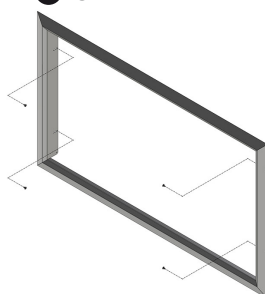
3 Bevelled frame



2 Glass frame



1 Outer frame



**Note:** If you are doing a frameless installation and only have an inner frame, skip step 1.

### 1. Outer frame

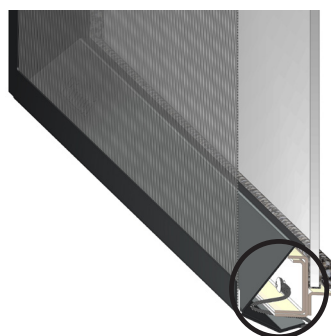
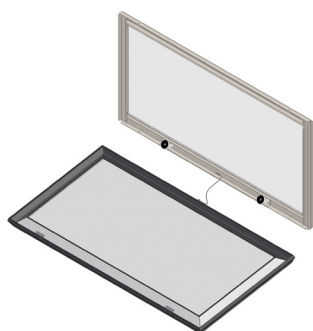
Screw into position with the four screws provided.

### 2. Glass frame

Remove the lower center screw in the glass frame and fit the free end of the wire lanyard as shown below.

### 3. Bevelled frame

Fit the front so that the top two hooks are located over the top of the glass frame, and the front sits against the magnets at the bottom of the frame. When properly installed the front will swing out from the magnets and stop when the lanyard becomes taut. When fitted the lanyard should be hidden in the channel between the front and the glass frame.



<sup>1</sup> Optional accessory in NZ.

