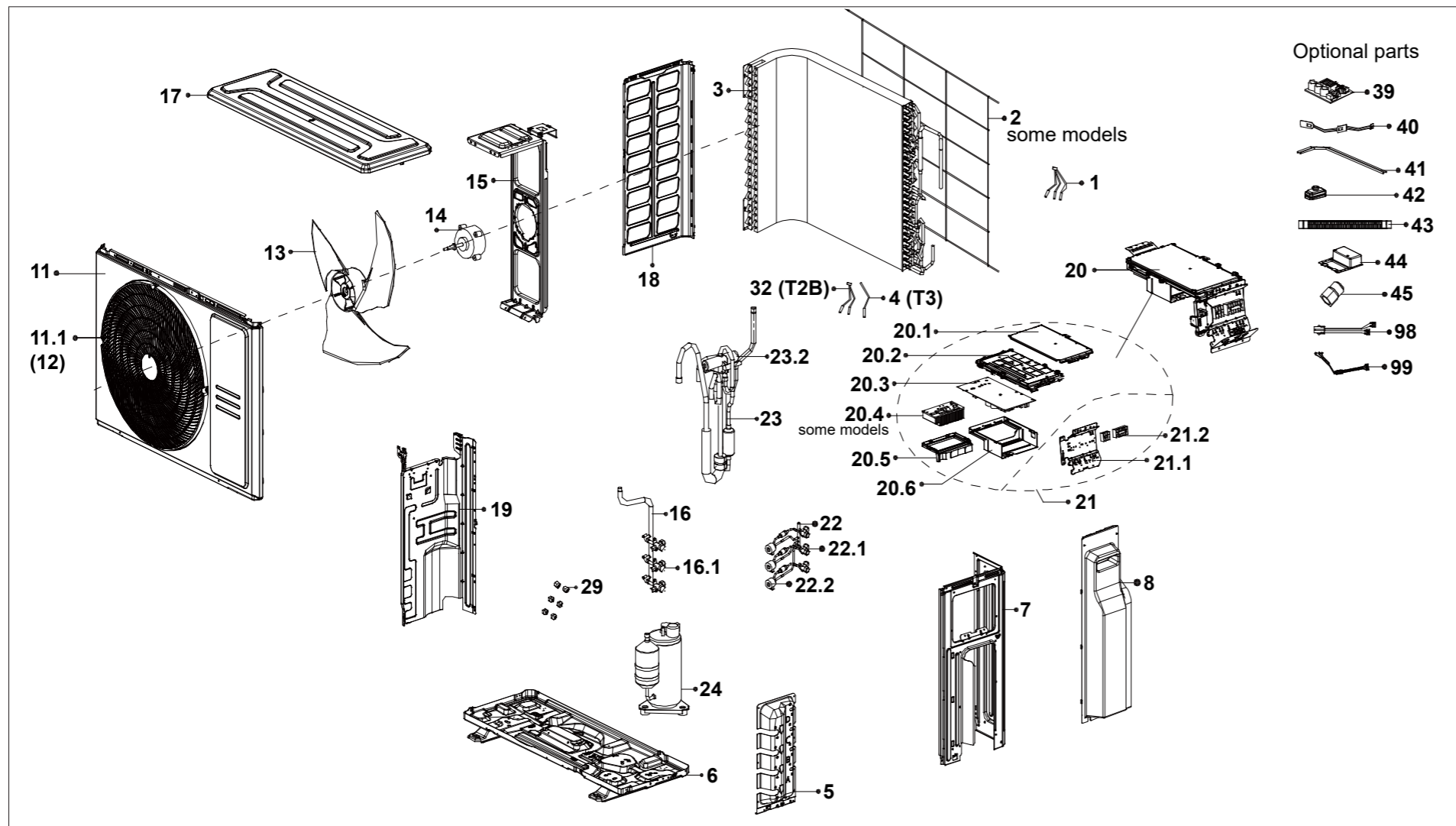
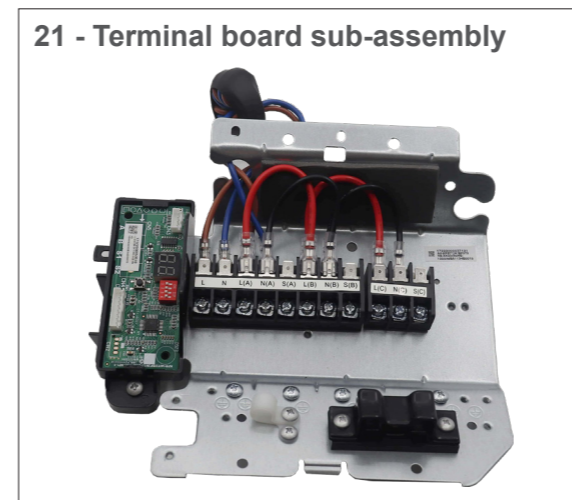
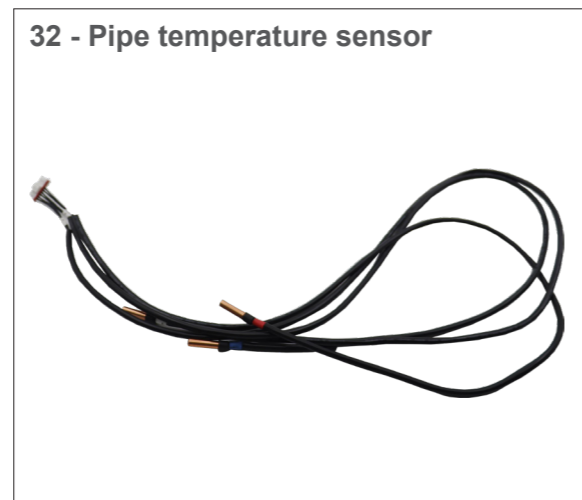


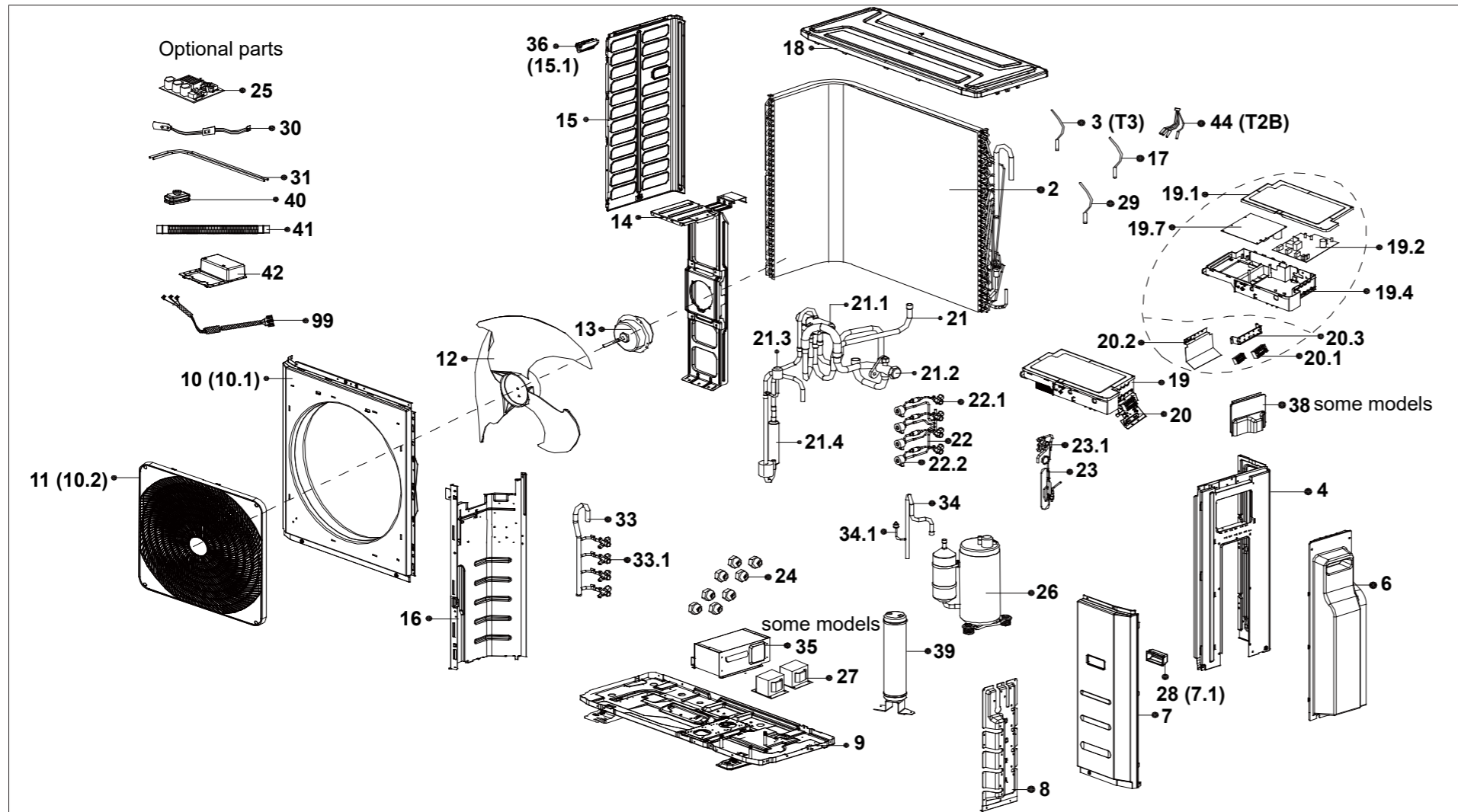
This diagram is provided to assist you to identify parts if replacement is necessary. Contact your place of purchase or the manufacturer to enquire about parts, availability and/or service.



Ref.	Description	Part No.
1	Combination sensor	14165
2	Rear net	
3	Condenser assembly	
5	Valve plate	
6	Chassis assembly	
7	Right clapboard assembly	
8	Big handle	
11	Front panel	
11.1	Air outlet grille	
13	Axial flow fan	
14	Brushless DC motor	14127
15	Fan motor support	
16	Gas valve assembly	
16.1	Gas valve	
17	Top cover assembly	
18	Left support	
19	Partition board assembly	
20	Electronic control box assembly	14176
20.1	Electronic control box cover	
20.2	Electronic installing box	
20.3	Main control board sub-assembly	
20.5	Electronic control box support	
20.6	Electronic installing box sub-assembly	
21	Terminal board sub-assembly	14173
21.1	Terminal board	
21.2	Terminal	
21.2	Wire joint	
21.3	Keyboard box sub-assembly	
21.3.1	Keyboard sub-assembly	
22	Liquid valve sub-assembly	
22.1	Liquid valve	
22.2	Electronic expansion valve	
23	4-way valve assembly	
23.2	4-way valve	
24	DC inverter rotary compressor	
29	Copper nut	
29	Copper nut	
32	Pipe temperature sensor	14155
44	DR module box sub-assembly	
45	Pipe joint sub-assembly	
45	Pipe joint sub-assembly	
99	Compressor wire sub-assembly	



This diagram is provided to assist you to identify parts if replacement is necessary. Contact your place of purchase or the manufacturer to enquire about parts, availability and/or service.



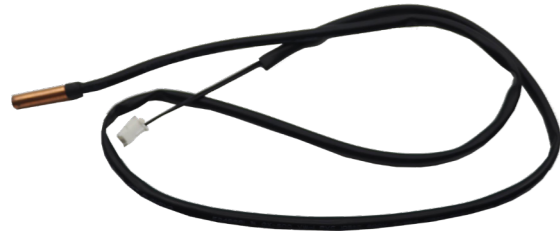
Ref.	Description	Part No.
20.1	Terminal	
20.2	Terminal board	
20.3	Terminal board	
21	4-way valve assembly	
21.1	4-way valve	
21.2	Gas valve	
21.3	Pressure switch	14183
21.4	Muffler sub-assembly	
22	Liquid valve assembly	
22.1	Liquid valve	
22.2	Electronic expansion valve sub-assembly	
23	Liquid valve assembly	
23.1	Liquid valve	
24	Copper nut	
24	Copper nut	
24	Copper nut	
26	DC inverter rotary compressor	
27	Reactor	
29	Discharge temperature sensor	14159
33	Gas valve assembly	
33.1	Gas valve	
33.1	Gas valve	
34	Suction pipe assembly	
34.1	Pressure switch	14182
39	Accumulator for cylinder	
42	DR module box sub-assembly	
43	Pipe joint sub-assembly	
43	Pipe joint sub-assembly	
43	Pipe joint sub-assembly	
43	Pipe joint sub-assembly	
44	Pipe temperature sensor	14154
99	Compressor wire sub-assembly	

Ref.	Description	Part No.
1	Rear net	
2	Condenser assembly	
3	Pipe temperature sensor	14162
4	Rear right clapboard assembly	
6	Shield	
7	Front right clapboard assembly	
7.1	Handle	
8	Valve plate	
9	Chassis assembly	
10	Front panel	
11	Air outlet grille	14167
12	Axial flow fan	
13	Brushless DC motor	14149

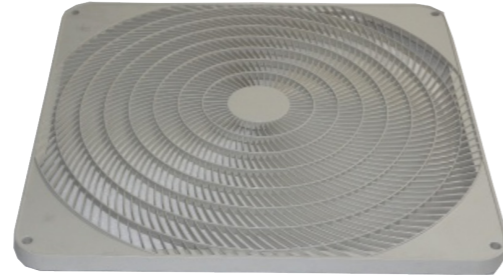
Ref.	Description	Part No.
14	Fan motor support sub-assembly	
15	Left side plate assembly of cabinet	
15.1	Small handle	
16	Partition board sub-assembly	
17	Room temperature sensor	14164
18	Top cover assembly	
19	Electronic control box sub-assembly	14177
19.1	Cover of electronic control box	
19.2	Main control board sub-assembly	
19.4	Electronic installing box	
19.7	Inverter control board sub-assembly	
20	Terminal board sub-assembly	14174
20.1	Terminal	

This diagram is provided to assist you to identify parts if replacement is necessary. Contact your place of purchase or the manufacturer to enquire about parts, availability and/or service.

3 - Pipe temperature sensor (14162)



11 - Air outlet grille (14167)



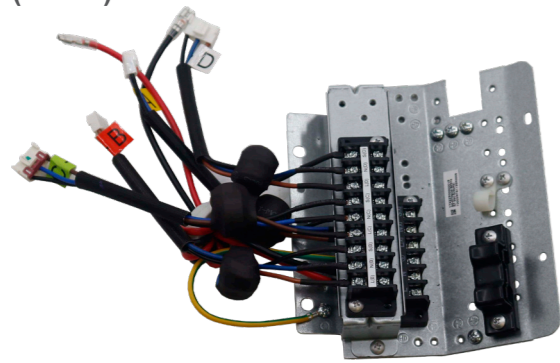
13 - Brushless DC motor (14149)



17 - Room temperature sensor (14164)



20 - Terminal board sub-assembly (14174)



21.3 - Pressure switch (14183)



29 - Discharge temp. sensor (14159)



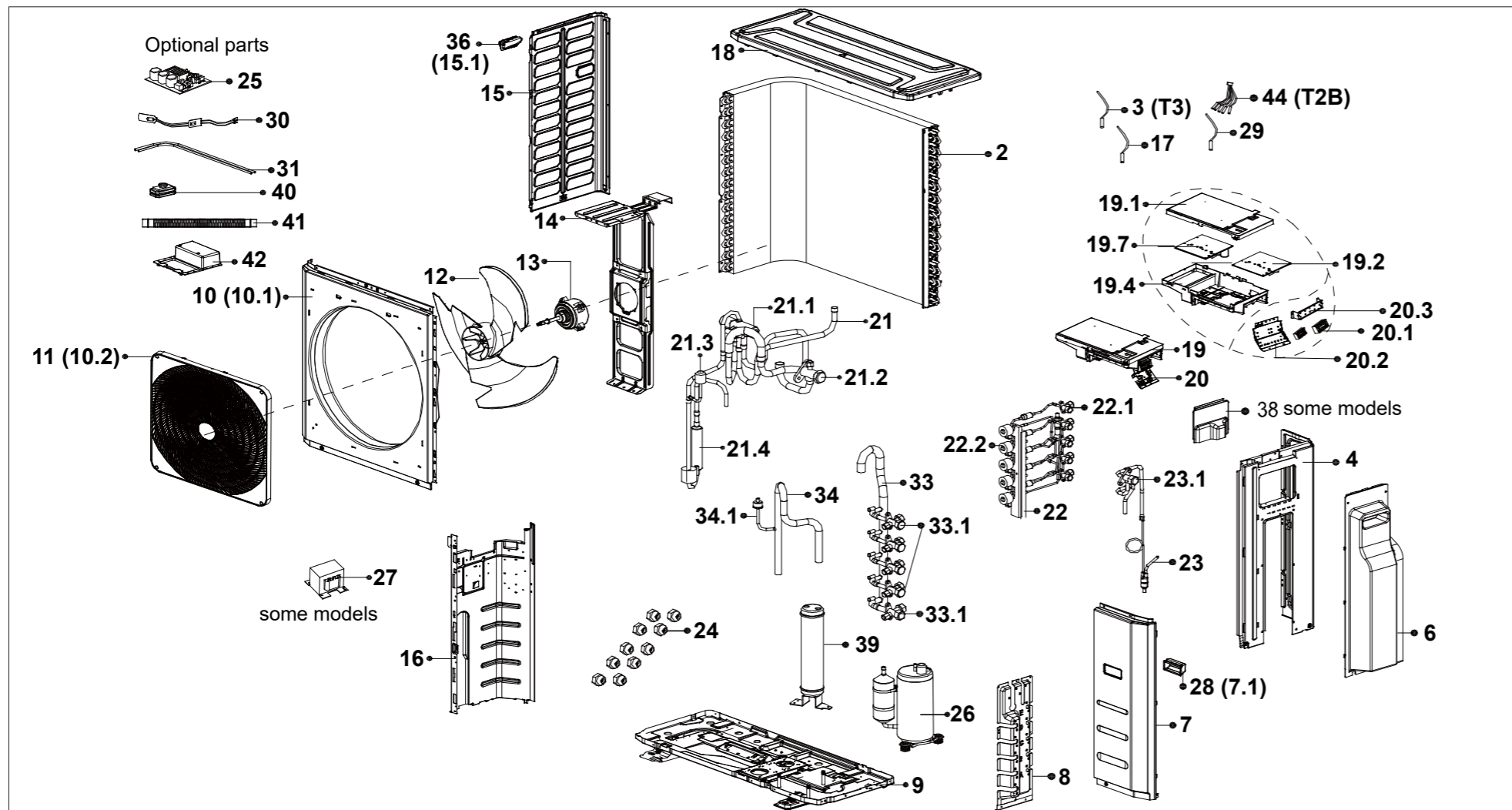
34.1 - Pressure switch (14182)



44 - Pipe temperature sensor (14154)



This diagram is provided to assist you to identify parts if replacement is necessary. Contact your place of purchase or the manufacturer to enquire about parts, availability and/or service.



Ref.	Description	Part No.
20.2	Terminal board	
20.3	Terminal board	
21	4-way valve assembly	
21.1	4-way valve	
21.2	Gas valve	
21.3	Pressure switch	14183
21.4	Muffler sub-assembly	
22	Liquid valve assembly	
22.1	Liquid valve	
22.2	Electronic expansion valve sub-assembly	
23	Liquid valve assembly	
23.1	Liquid valve	
24	Copper nut	
24	Copper nut	
24	Copper nut	
26	DC inverter rotary compressor	
27	Reactor	
29	Discharge temperature sensor	14159
33	Gas valve assembly	
33.1	Gas valve	
33.1	Gas valve	
34	Suction pipe assembly	
34.1	Pressure switch	
39	Accumulator for cylinder	
42	DR module box sub-assembly	
43	Pipe joint sub-assembly	
43	Pipe joint sub-assembly	
43	Pipe joint sub-assembly	
43	Pipe joint sub-assembly	
44	Pipe temperature sensor	
99	Compressor wire sub-assembly	

Ref.	Description	Part No.
1	Rear net	
2	Condenser assembly	
3	Pipe temperature sensor	14162
4	Rear right clapboard assembly	
6	Shield	
7	Front right clapboard assembly	
7.1	Handle	
8	Valve plate	
9	Chassis assembly	
10	Front panel	
11	Air outlet grille	
12	Axial flow fan	
13	Brushless DC motor	14149

Ref.	Description	Part No.
14	Fan motor support sub-assembly	
15	Left side plate assembly of cabinet	
15.1	Small handle	
16	Partition board sub-assembly	
17	Room temperature sensor	14160
18	Top cover assembly	
19	Electronic control box sub-assembly	14178
19.1	Cover of electronic control box	
19.2	Main control board sub-assembly	
19.4	Electronic installing box	
19.7	Inverter control board sub-assembly	
20	Terminal board sub-assembly	14175
20.1	Terminal	

## Pro Series Multi Room Outdoor (MON5H11B)

This diagram is provided to assist you to identify parts if replacement is necessary. Contact your place of purchase or the manufacturer to enquire about parts, availability and/or service.

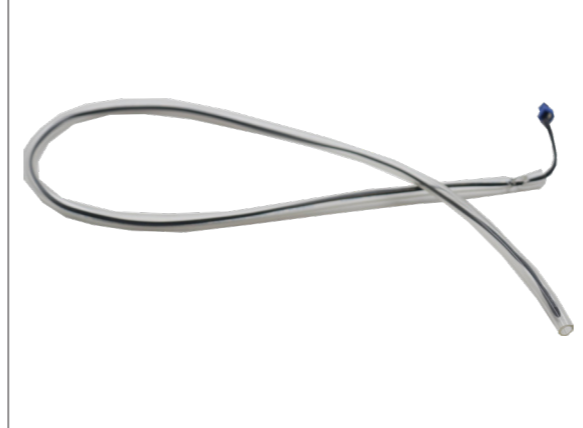
3 - Pipe temperature sensor (14162)



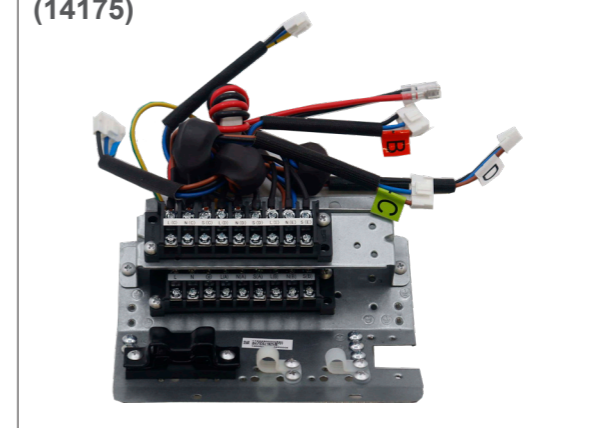
13 - Brushless DC motor (14149)



17 - Room temperature sensor (14160)



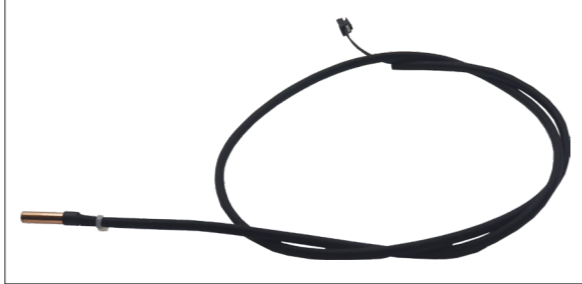
20 - Terminal board sub-assembly (14175)



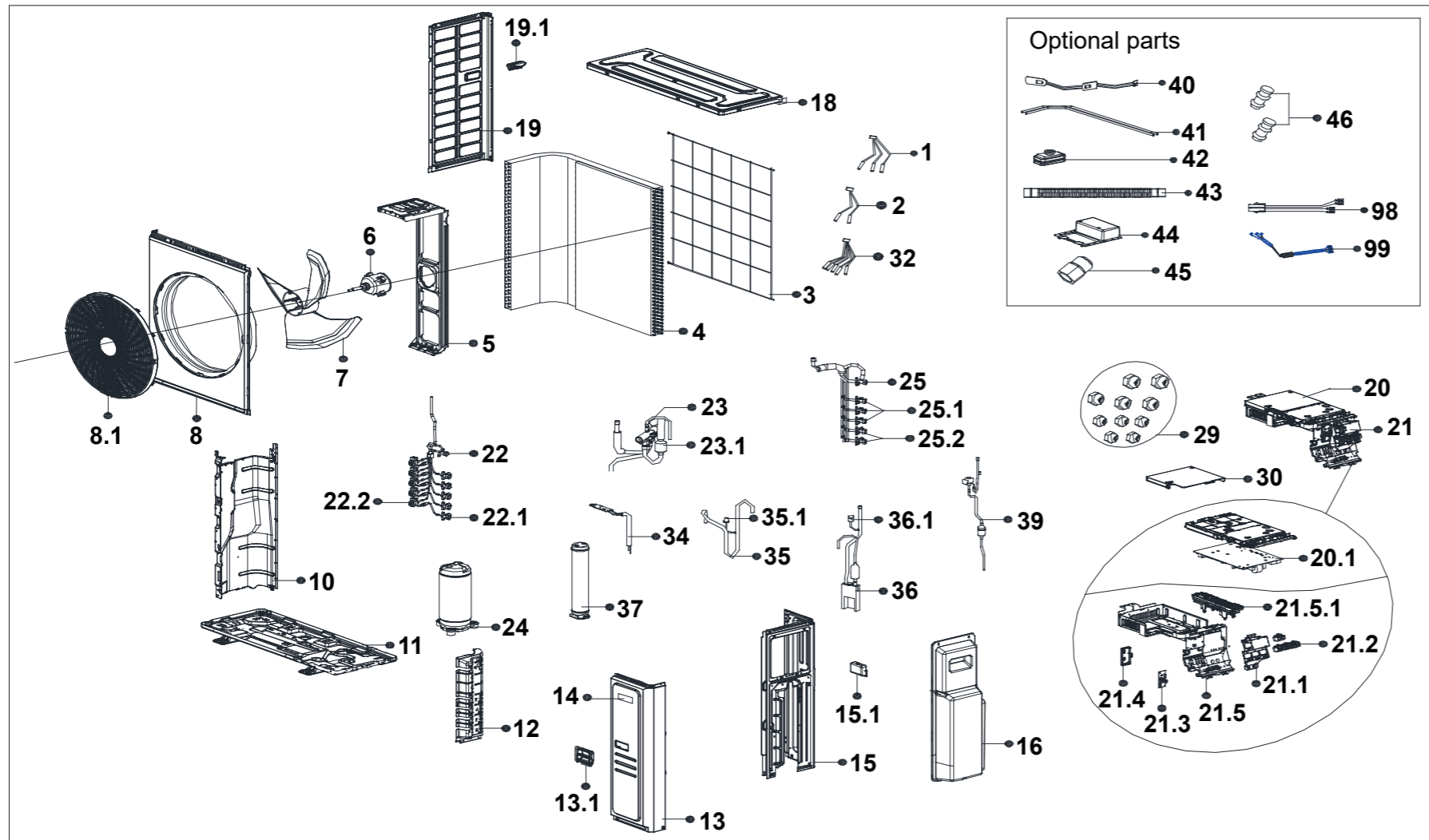
21.3 - Pressure switch (14183)



29 - Discharge temp. sensor (14159)



This diagram is provided to assist you to identify parts if replacement is necessary. Contact your place of purchase or the manufacturer to enquire about parts, availability and/or service.



Ref.	Description	Part No.
21.5	Electronic installing box sub-assembly	
21.5.1	U-type support with copper pipe	
22	Liquid valve assembly	
22.1	Liquid valve	
22.2	Direct driven electronic expansion valve	
23	4-way valve assembly	
23.1	Muffler	
24	DV inverter rotary compressor	
25	Gas valve assembly	
25.1	Gas valve	
25.2	Gas valve	
29	Copper nut	
29	Copper nut	
29	Copper nut	
30	Cover plate assembly	
32	Pipe temperature sensor	14216
34	Radiator sub-assembly	
35	Suction pipe assembly	
36	Discharge pipe assembly	
36.1	Pressure controller	
37	Gas-liquid separator	
39	Electronic expansion valve sub-assembly	
45	Hose joint assembly	
45	Pipe joint sub-assembly	
45	Hose joint assembly	
45	Hose joint assembly	

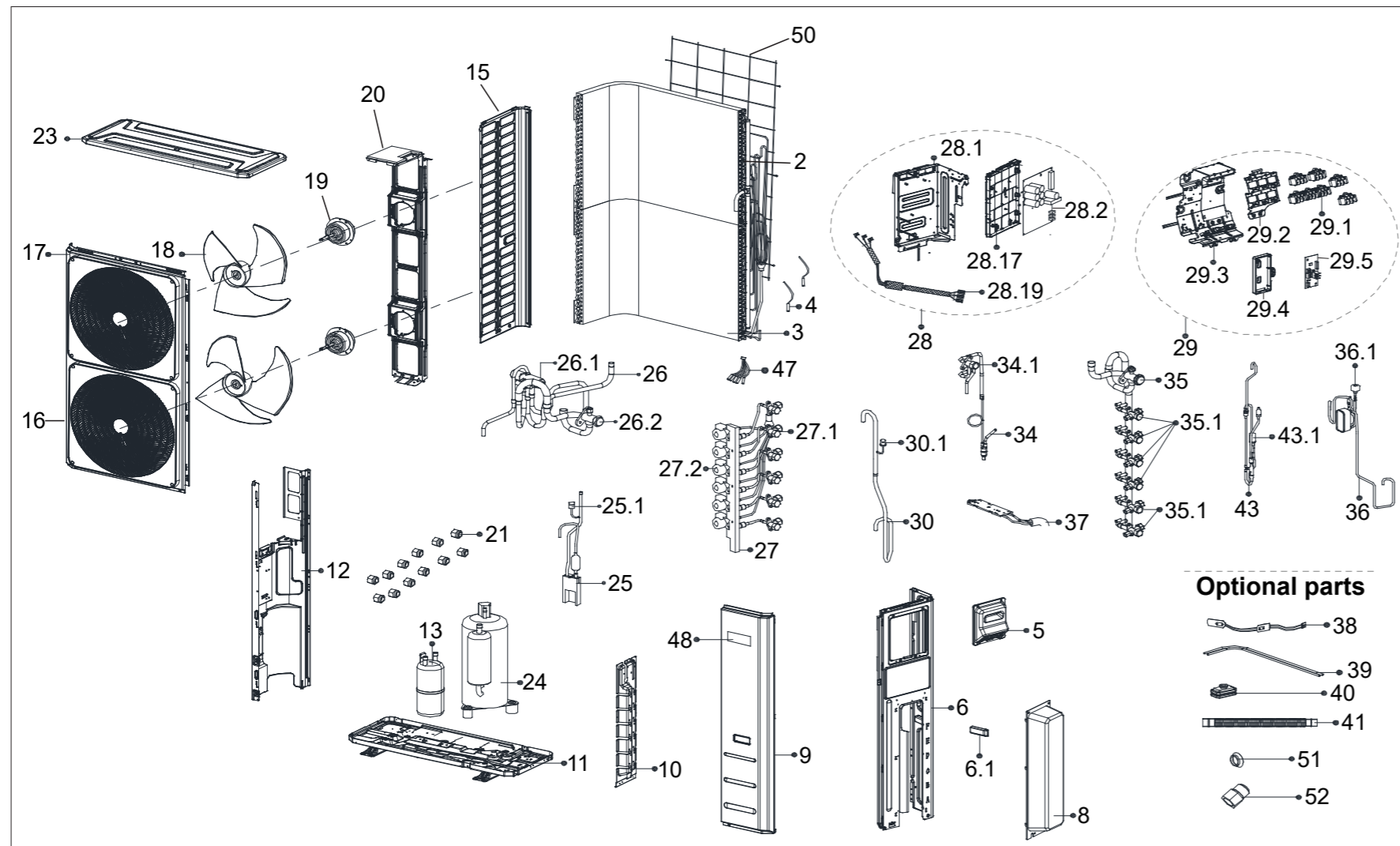
Ref.	Description	Part No.
1	Combination sensor	14210
2	Pipe temperature sensor	14211
3	Rear net	
4	Condenser assembly	
5	Fan motor support sub-assembly	
6	Brushless DC motor	14212
7	Axial flow fan	
8	Front panel assembly	
8.1	Air outlet grille	14213
10	Partition board assembly	
11	Chassis assembly	
12	Valve plate	
13	Front right clapboard assembly	

Ref.	Description	Part No.
14	Outdoor unit data plate	
15	Rear right clapboard assembly	
15.1	Small handle	
16	Big handle assembly	
18	Top cover assembly	
19	Left side plate assembly of cabinet	
19.1	Small handle	
20	Electronic control box sub-assembly	14214
21	Terminal board sub-assembly	14215
21.2	Wire joint	
21.2	Wire joint	
21.3	Key board sub-assembly	
21.4	Electronic installing box	

1 - Combination sensor (14210)



This diagram is provided to assist you to identify parts if replacement is necessary. Contact your place of purchase or the manufacturer to enquire about parts, availability and/or service.



Ref.	Description / ID	Part No.
26.2	Gas valve	1550020400049
27	Liquid valve assembly	15422000025723
27.1	High pressure valve	15500208000028
27.2	Direct driven EEV	11501020000341
28	Electronic control box sub-assy.	17222000044789
28.1	Installation plate of electric parts sub-assy.	12222000019387
28.2	Outdoor main control board sub-assy.	17122000065031
28.17	Electronic installing box	12122000032939
28.19	Compressor wire sub-assy.	17401203022090
29	Terminal board sub-assy.	17222000044771
29.1	Wire joint	17400401005536
29.1	Wire joint	17400401005216
29.2	Terminal board	12222000018690
29.3	Terminal installation sub-assy.	12222300000909
29.4	Electronic installing box	12122000032940
29.5	Key board sub-assy.	17122000062856
30	Suction pipe assembly	15122000034287
30.1	Pressure controller	17400516000009
34	Liquid valve assembly	15422000025722
34.1	Liquid valve	15500208000047
35	Gas valve assembly	15422000025746
35.1	Gas valve	15500204000021
35.1	Gas valve	15500204000058
36	Plate heat exchanger assy.	15700101001936
36.1	Electronic expansion valve sub-assy.	15422000025748
37	Radiator sub-assy.	15122000034301
43	Electronic expansion valve sub-assy.	15422000025745
43.1	Electronic expansion valve body	15500213002689
47	Combination sensor	11201011001207
48	Outdoor unit nameplate	16022300A45577
50	Rear net	12222000007944
52	Hose joint assembly	15500303002546
52	Pipe joint sub-assy.	15500303002544
52	Hose joint assembly	15500303002545
52	Hose joint assembly 5/8	15500303002547

Ref.	Description / ID	Part No.
2	Condenser assembly	15822000015366
3	Condenser assembly	15822000015087
4	Pipe temperature sensor	11201007007803
4	Pipe temperature sensor	11201007008103
5	Big handle assembly	12222000018396
6	Rear right clapboard assembly	12222000019406
6.1	Handle	12100702000038
8	Water collector	12122000014341
9	Front right clapboard assembly	12222000006287
10	Valve plate	12222000019405
11	Chassis assembly	12222000013910
12	Partition board assembly	12222000019388
13	Liquid storage tank	15500508001475
15	Cabinet left side plate assembly	1222200002363

Ref.	Description / ID	Part No.
16	Air outlet grille	12122000020244
17	Front panel	12222000006291
18	Axial fan	12100105000022
19	Brushless DC motor	11002015017676
20	Fan motor support sub-assy.	12222000016092
21	Flare nut	15500406000010
21	Flare nut	15500406000012
21	Flare nut	15500406000016
23	Top cover assembly	12222000008695
24	DC inverter rotary compressor	11103020015084
25	Discharge pipe assembly	15122000034305
25.1	Pressure controller	17400516000851
26	4-way valve assembly	15422000025721
26.1	4-way valve	15500216002543