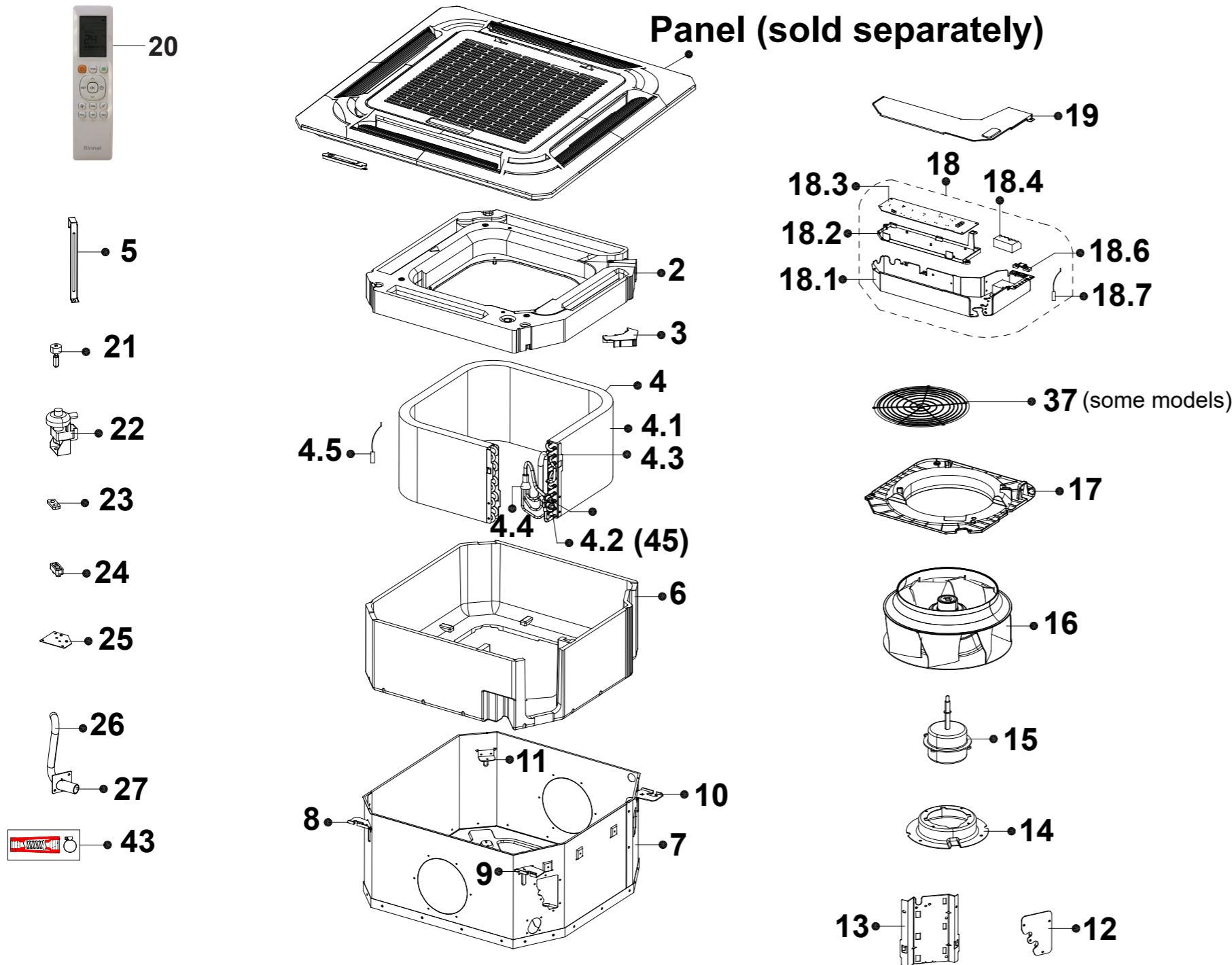
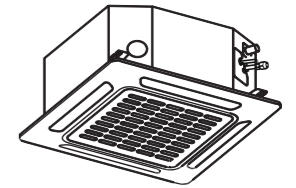


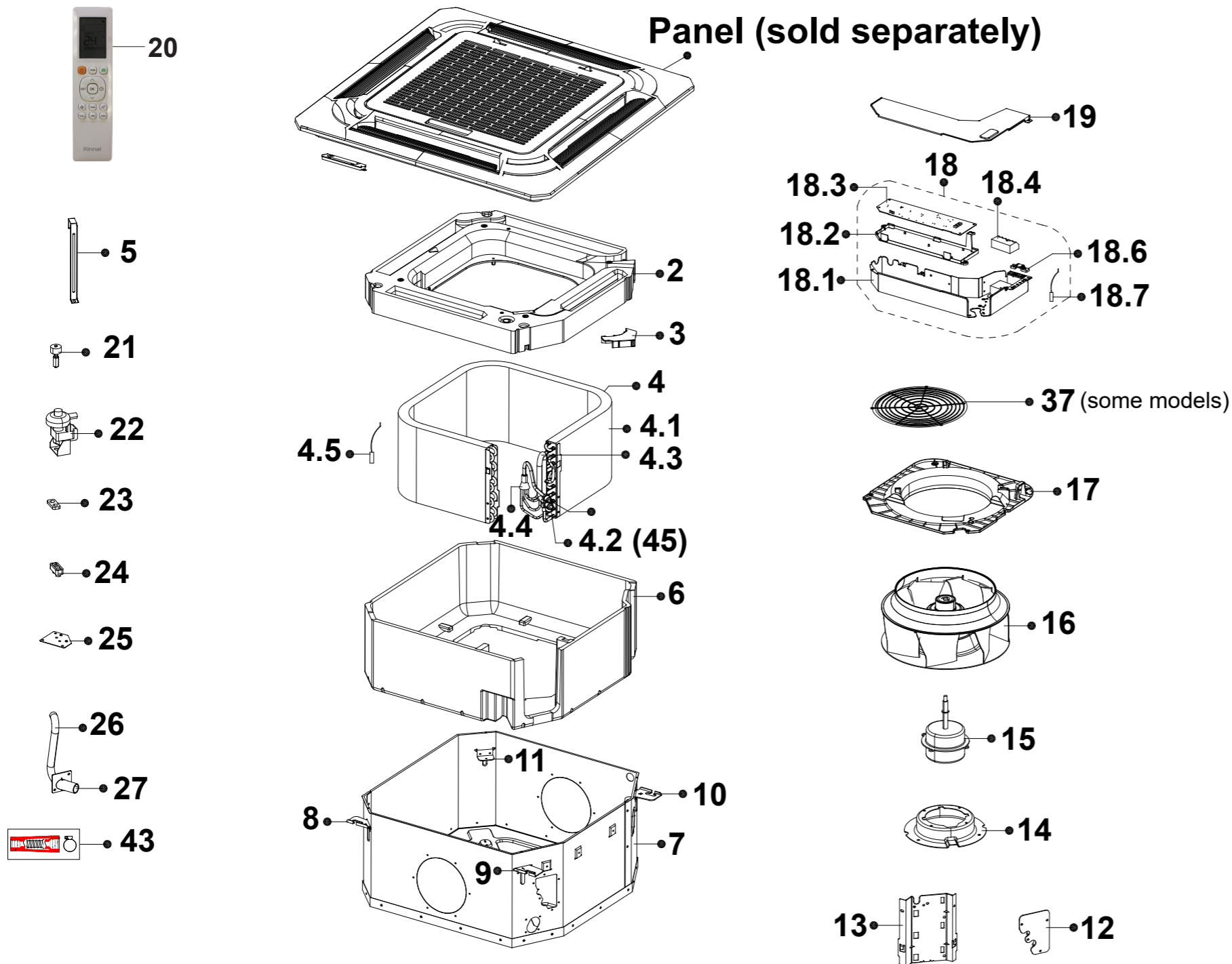
This diagram is provided to assist you to identify parts if replacement is necessary. Contact your place of purchase or the manufacturer to enquire about parts, availability and/or service.



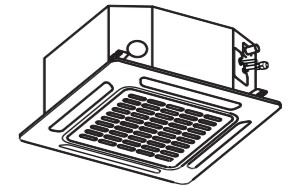
Ref.	Description / ID	Part No.	
2	Water collector assembly	1282250000017	
3	Wire box	1212250000022	
4	Evaporator assembly	15822500001720	
4.1	Evaporator	15822500001721	
4.3	Evaporator outlet pipe sub-assembly	15122300000765	
4.4	Evaporator inlet pipe sub-assembly	15122500002898	
4.5	Pipe temperature sensor	11201007002320	14158
5	Evaporator fixing hanger	12222500000093	
6	Base foam sub-assembly	12822500000005	
7	Chassis assembly	12222500000224	
8	Hook	12222500000191	
9	Hook	12222500000192	
10	Hook	12222500000190	
11	Hook	12222500000193	
12	Pipe fixing board sub-assembly	12122500000330	
13	Evaporator connecting board	12222500000197	
14	Motor mounting seat assembly	122225000002672	
15	Brushless DC motor	11002015000069	14148
16	Centrifuge fan	12100103000089	14166
17	Ventilation ring	12122500000425	
18	Electronic control box subassembly	17222500003825	
18.1	Electronic control box	12222500000165	
18.2	Insulation plate	12122500000029	
18.3	Main control board sub-assembly	17122500004951	14172
18.4	Wire joint	17400401000097	
18.6	Wire clamp	12200202000004	
18.7	Room temperature sensor	11201007000283	14157
19	Electrical control box cover sub-assembly	12222500000209	
20	Remote controller	17317000A61687	14111
21	Water level sensor	17400511000015	14181
22	Induction pump	11001010000063	14147
23	Drain pump rubber washer	12622500000005	
24	Drain pump rubber washer	12622500000003	
25	Drain pump installation base	12222500000352	
26	Rubber tube	12622500000012	
27	Drain pipe	12100510000019	
44	Copper nut	15500406000016	
45	Copper nut	15500406000010	



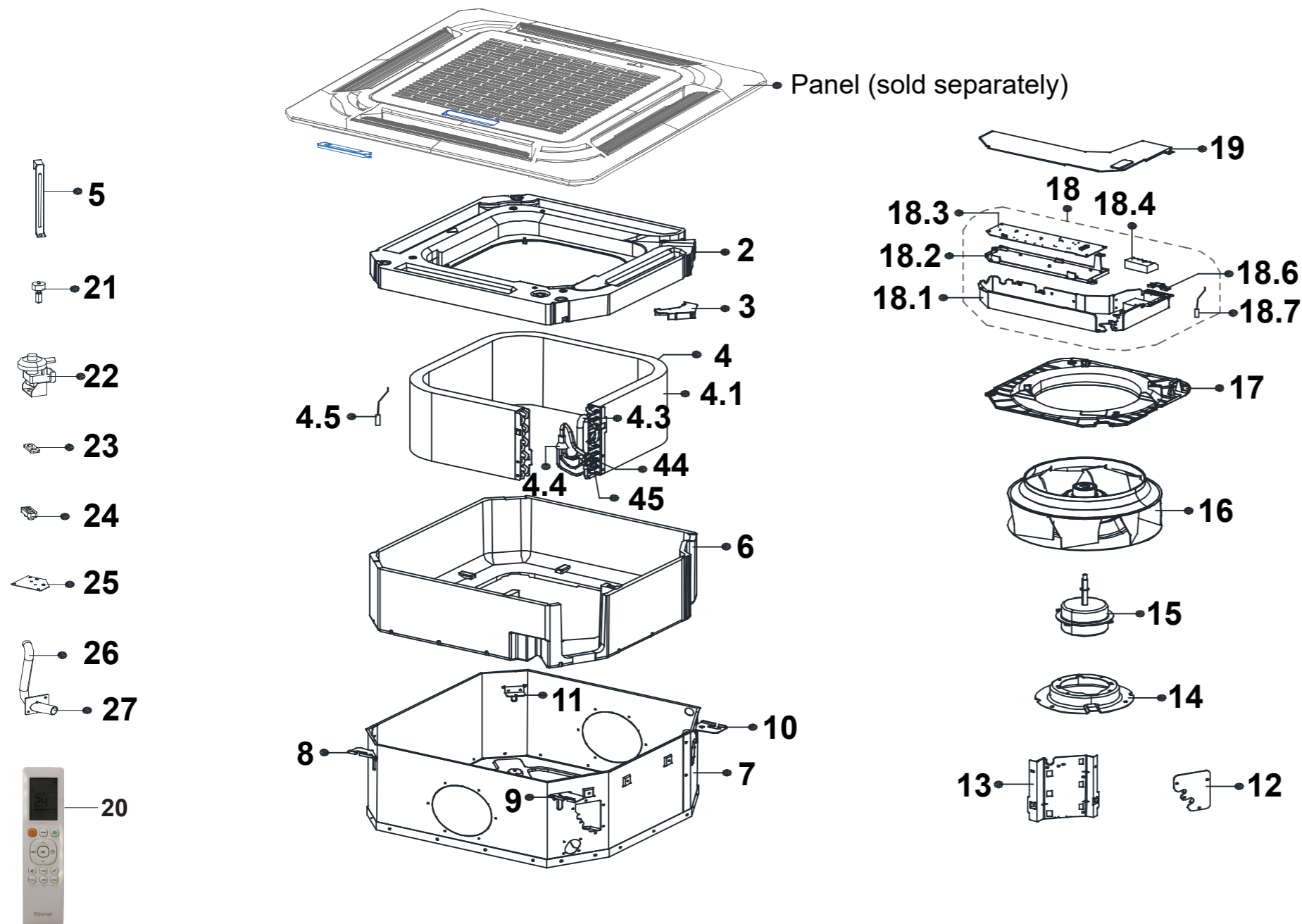
This diagram is provided to assist you to identify parts if replacement is necessary. Contact your place of purchase or the manufacturer to enquire about parts, availability and/or service.



Ref.	Description / ID	Part No.	
2	Water collector assembly	1282250000017	
3	Wire box	1212250000022	
4	Evaporator assembly	15822500001754	
4.1	Evaporator	15822500001602	
4.3	Evaporator outlet pipe sub-assembly	15122500000648	
4.4	Evaporator inlet pipe sub-assembly	15122500002900	
4.5	Pipe temperature sensor	11201007002320	14158
5	Evaporator fixing hanger	12222500000093	
6	Base foam sub-assembly	12822500000005	
7	Chassis assembly	12222500000224	
8	Hook	12222500000191	
9	Hook	12222500000192	
10	Hook	12222500000190	
11	Hook	12222500000193	
12	Pipe fixing board sub-assembly	12122500000330	
13	Evaporator connecting board	12222500000197	
14	Motor mounting seat assembly	12222500002672	
15	Brushless DC motor	11002015000069	14148
16	Centrifuge fan	12100103000089	14166
17	Ventilation ring	12122500000425	
18	Electronic control box subassembly	17222500003722	
18.1	Electronic control box	12222500000165	
18.2	Insulation plate	12122500000029	
18.3	Main control board sub-assembly	17122500004754	14171
18.4	Wire joint	17400401000097	
18.6	Wire clamp	12200202000004	
18.7	Room temperature sensor	11201007000283	14157
19	Electrical control box cover sub-assembly	12222500000209	
20	Remote controller	17317000A61687	14111
21	Water level sensor	17400511000015	14181
22	Induction pump	11001010000063	14147
23	Drain pump rubber washer	12622500000005	
24	Drain pump rubber washer	12622500000003	
25	Drain pump installation base	12222500000352	
26	Rubber tube	12622500000012	
27	Drain pipe	12100510000019	
44	Copper nut	15500406000016	
45	Copper nut	15500406000010	



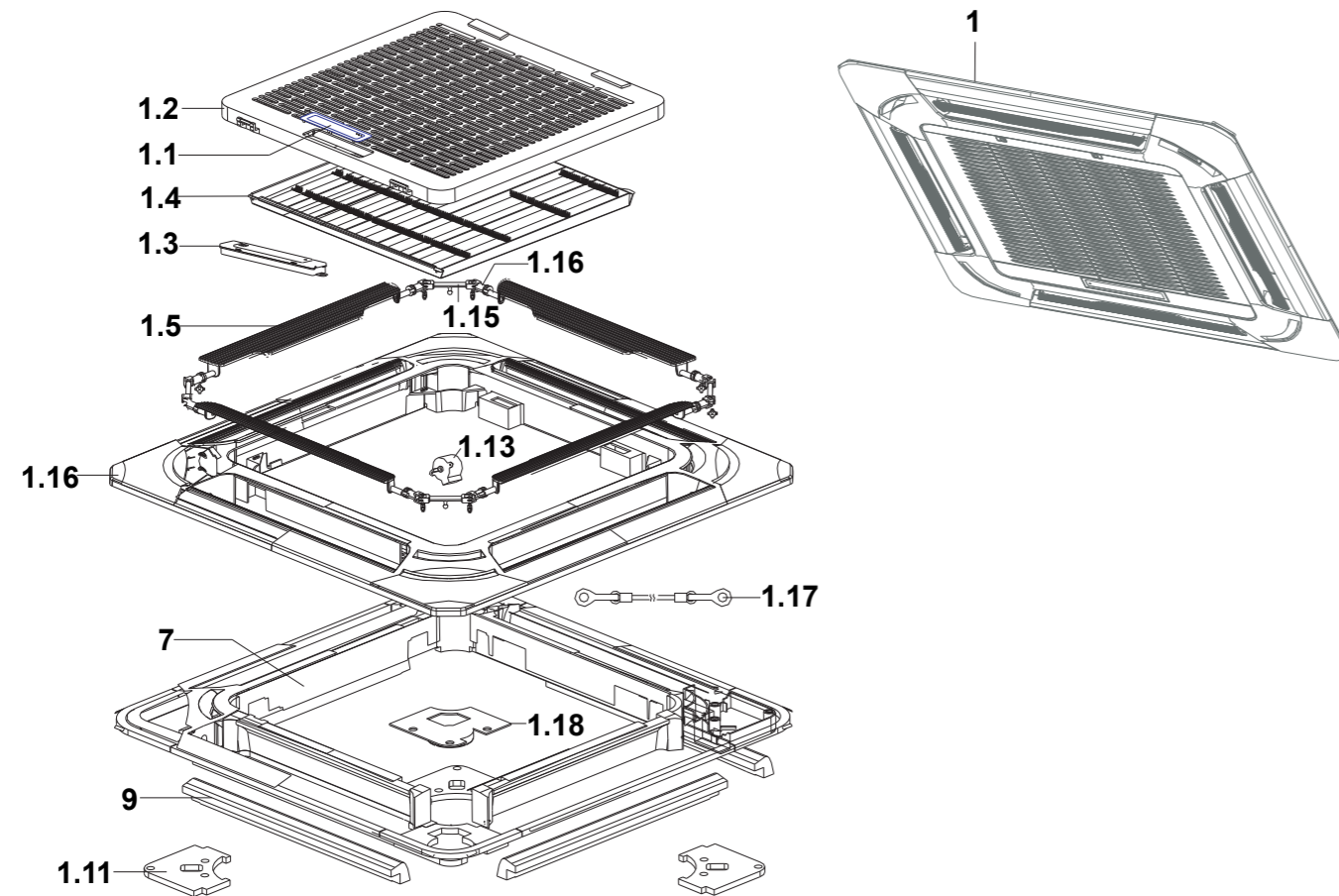
This diagram is provided to assist you to identify parts if replacement is necessary. Contact your place of purchase or the manufacturer to enquire about parts, availability and/or service.



Ref.	Description / ID	Part No.	
2	Water collector assembly	1282250000017	
3	Wire box	1212250000022	
4	Evaporator assembly	15822500001723	
4.1	Evaporator	15822500001602	
4.3	Evaporator outlet pipe sub-assembly	15122500000226	
4.4	Evaporator inlet pipe sub-assembly	15122500002900	
4.5	Pipe temperature sensor	11201007002320	14158
5	Evaporator fixing hanger	12222500000093	
6	Base foam sub-assembly	12822500000005	
7	Chassis assembly	12222500000224	
8	Hook	12222500000191	
9	Hook	12222500000192	
10	Hook	12222500000190	
11	Hook	12222500000193	
12	Pipe fixing board sub-assembly	12122500000330	
13	Evaporator connecting board	12222500000197	
14	Motor mounting seat assembly	12222500002672	
15	Brushless DC motor	11002015000069	14148
16	Centrifuge fan	12100103000089	14166
17	Ventilation ring	12122500000425	
18	Electronic control box subassembly	17222500003720	
18.1	Electronic control box	12222500000165	
18.2	Insulation plate	12122500000029	
18.3	Main control board sub-assembly	17122500004751	14170
18.4	Wire joint	17400401000097	
18.6	Wire clamp	12200202000004	
18.7	Room temperature sensor	11201007000283	14157
19	Electrical control box cover sub-assembly	12222500000209	
20	Remote controller	17317000A61687	14111
21	Water level sensor	17400511000015	14181
22	Induction pump	11001010000063	14147
23	Drain pump rubber washer	12622500000005	
24	Drain pump rubber washer	12622500000003	
25	Drain pump installation base	12222500000352	
26	Rubber tube	12622500000012	
27	Drain pipe	12100510000019	
44	Copper nut	15500406000016	
45	Copper nut	15500406000012	

Pro Series multi room cassette indoor front panel (CINFASM)

This diagram is provided to assist you to identify parts if replacement is necessary. Contact your place of purchase or the manufacturer to enquire about parts, availability and/or service.



Ref.	Description / ID	Part No.
1	Panel assembly	12122500A32288
1.1	Display box assembly	17222500000328
1.2	Air inlet grille	12122500001590
1.3	Control box cover	12122500001587
1.4	Filter	12122500002547
1.5	Horizontal louvre	12122500001589
1.6	Panel frame	12122500001593
1.8	Cover for fan motor installation	12122500001747
1.11	Cover	
1.12	Air inlet grille clamp	
1.13	Stepper motor	11002010000546
1.15	Transmission shaft	
1.16	Bearing base	
1.17	Hook	12122500000094