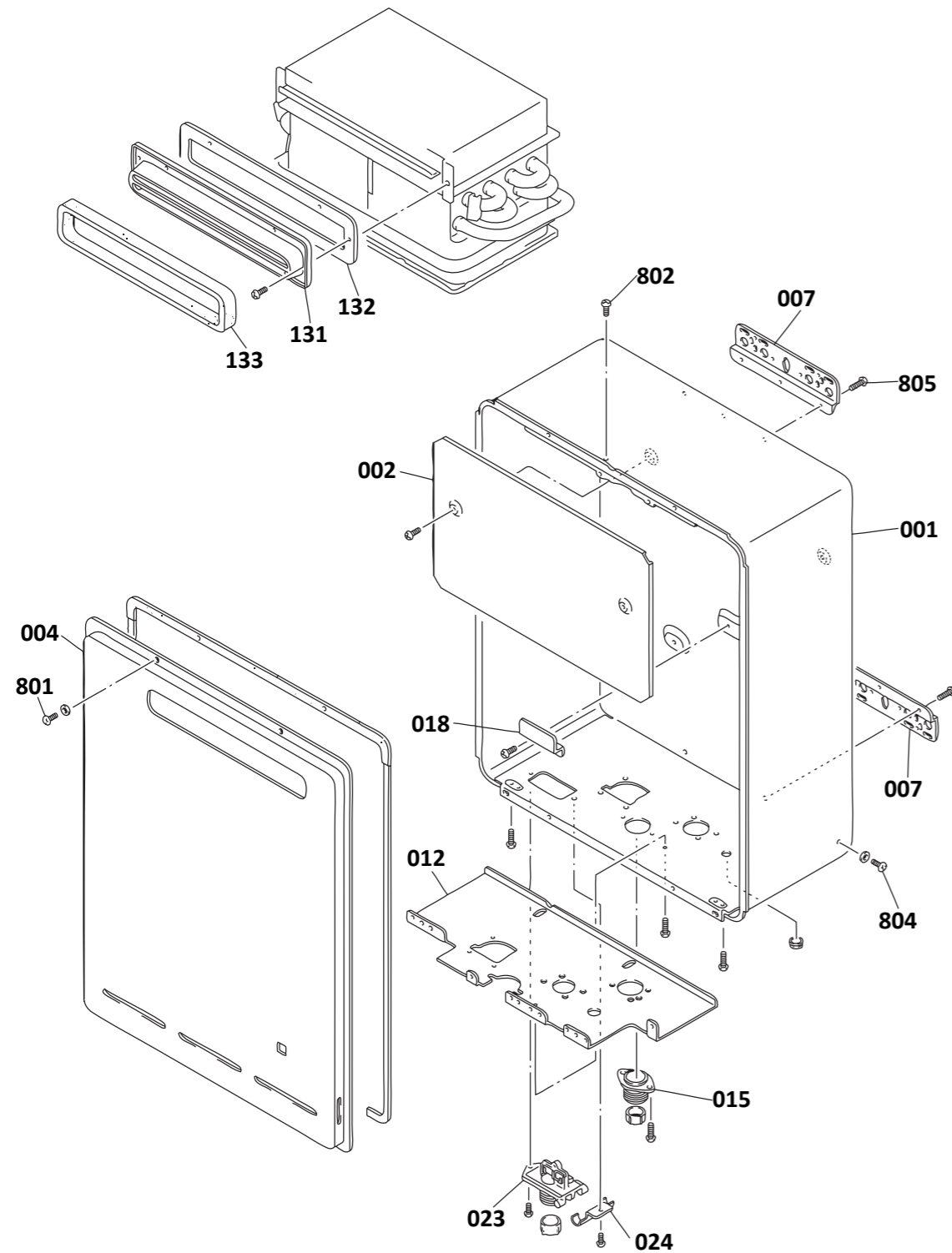


INFINITY HD250 (REU-VM3237WC) external water heater

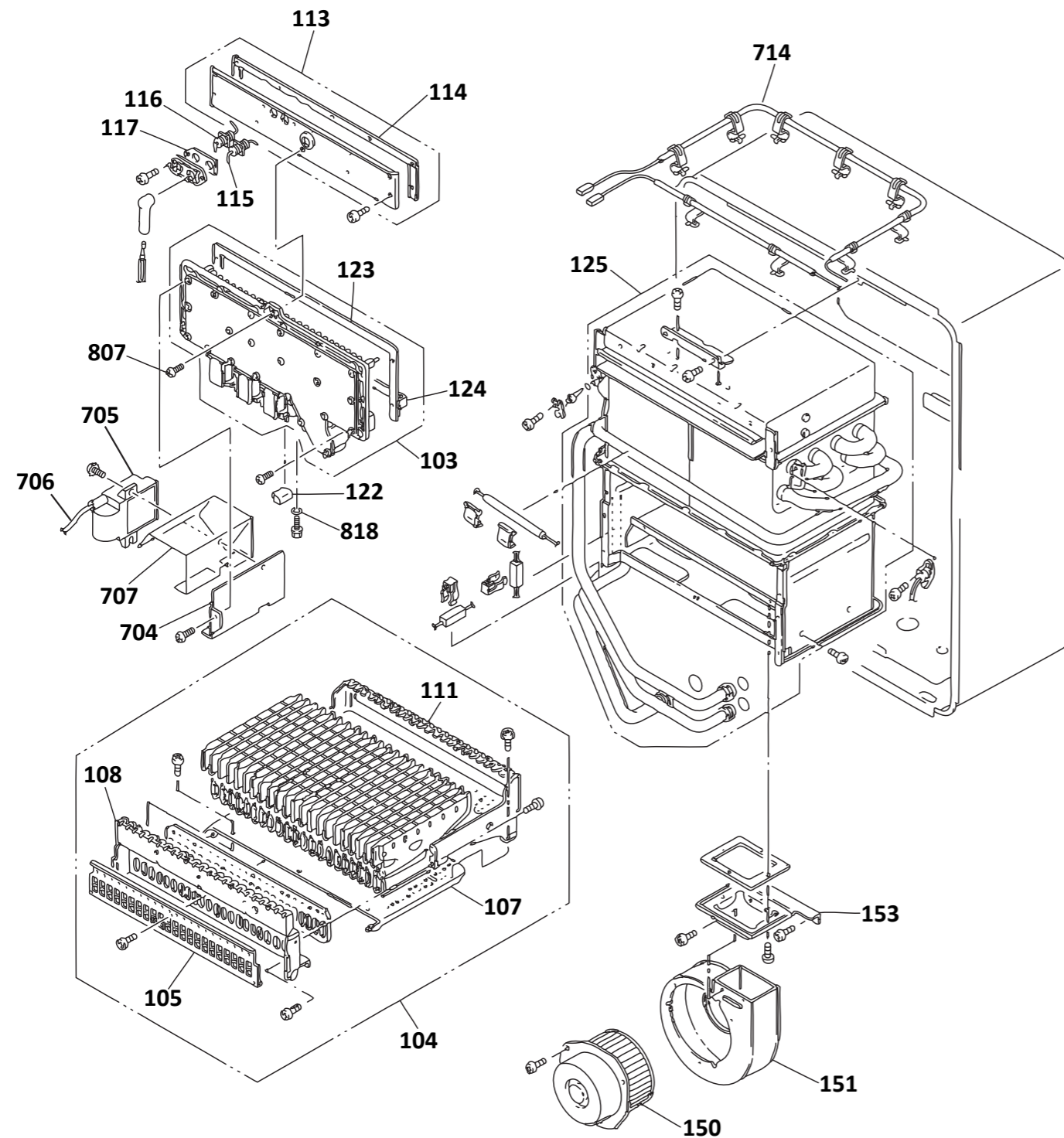
This diagram is provided to assist you to identify parts if replacement is necessary. Contact your place of purchase or the manufacturer to enquire about parts, availability and/or service.



| Ref. | Description | Qty. | Part No. |
|-------------------|----------------------------|------|-----------|
| SI = stocked item | | | |
| 001 | Casing assembly | 1 | 3292 |
| 002 | Heat protection plate | 1 | 3294 |
| 004 | Front panel assembly | 1 | 3296 (SI) |
| 007 | Wall bracket | 2 | 3387 (SI) |
| 012 | Panel connection | 1 | 3300 |
| 015 | Cable connection | 1 | 3896 (SI) |
| 018 | Reinforcement plate | 1 | 3303 |
| 023 | Cable access assembly | 1 | 3310 (SI) |
| 024 | Cable access bracket | 1 | 3311 |
| 131 | Flue outlet | 1 | 3555 (SI) |
| 132 | Flue outlet packing | 1 | 3479 (SI) |
| 133 | Flue outlet packing | 1 | 3344 |
| 801 | Screw pack for front panel | 1 | R5040 |
| 802 | Screw | 2 | 4763 |
| 804 | Screw | 8 | 4765 |
| 805 | Screw | 5 | 4767 |

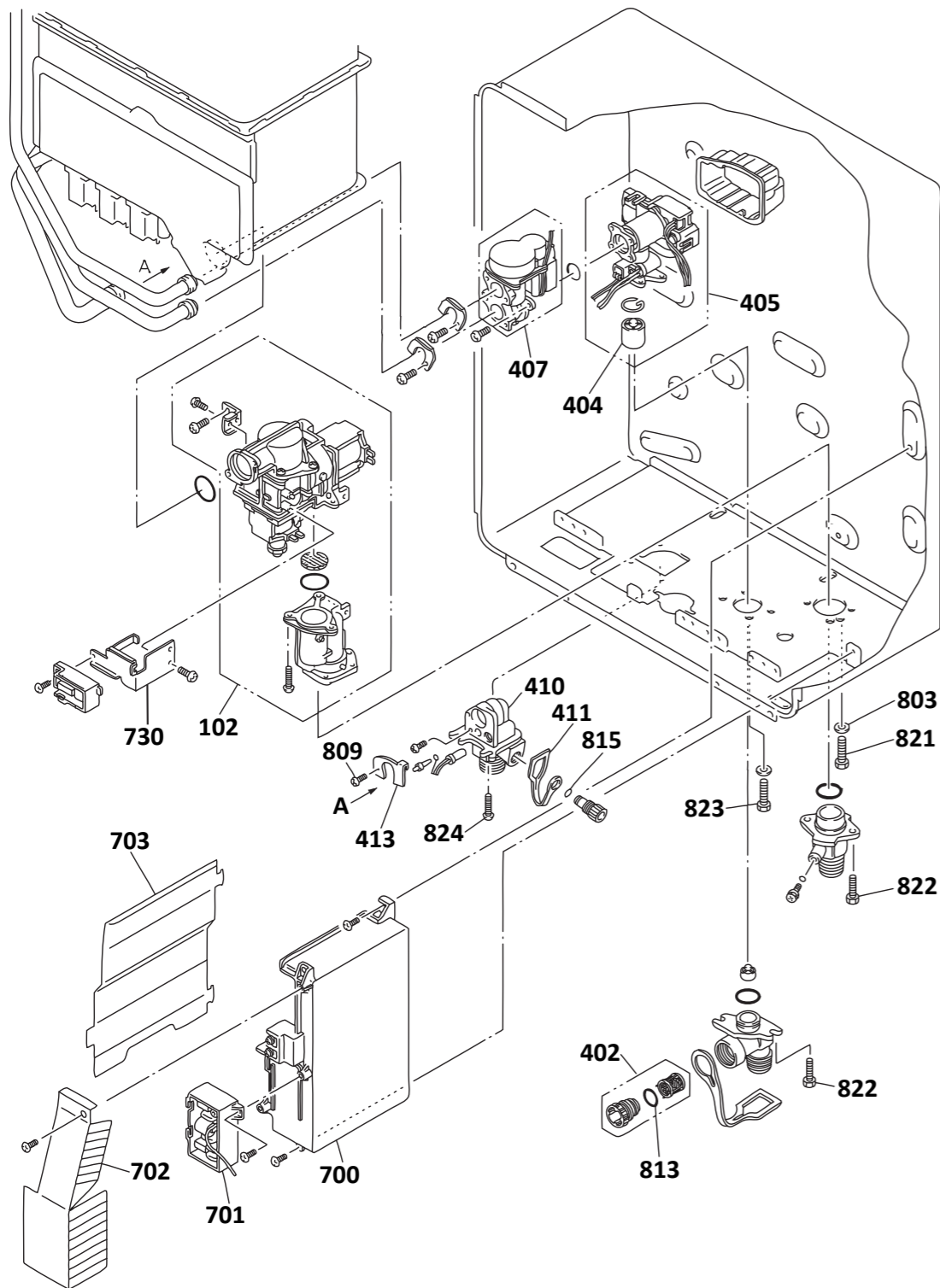
INFINITY HD250 (REU-VM3237WC) external water heater

This diagram is provided to assist you to identify parts if replacement is necessary. Contact your place of purchase or the manufacturer to enquire about parts, availability and/or service.



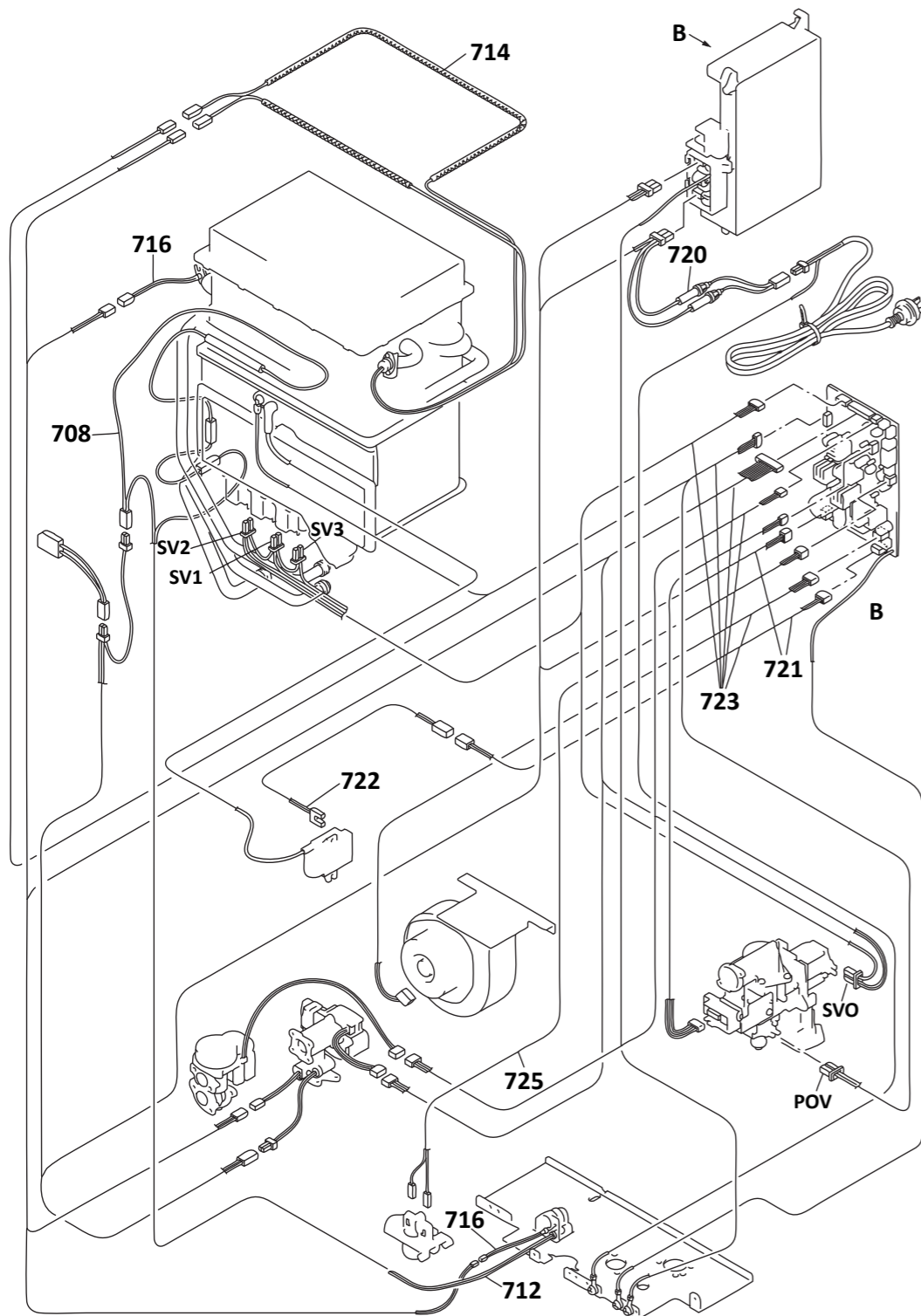
| Ref. | Description | Qty. | Part No. |
|-------------------|--|------|-----------|
| SI = stocked item | | | |
| 103 | Manifold assembly NG | 1 | 3314 |
| 103 | Manifold assembly LPG | 1 | 3313 (SI) |
| 104 | Burner unit assembly | 1 | 3315 |
| 105 | Damper NG | 1 | 3316 |
| 105 | Damper LPG | 1 | 3337 |
| 107 | Burner case bottom plate | 1 | 3317 |
| 108 | Burner case front | 1 | 3318 |
| 111 | Burner case back panel | 1 | 3319 |
| - | Combustion chamber front panel assembly, use parts 113 and 114 | 1 | - |
| 113 | Combustion chamber front plate | 1 | 5326 |
| 114 | Combustion chamber front plate packing | 1 | 3443 |
| 115 | Electrode | 1 | 3445 |
| 116 | Flame rod | 1 | 4916 |
| 117 | Electrode packing | 1 | 3322 |
| 122 | Solenoid valve cover | 1 | 3323 |
| 123 | Upper combustion chamber packing | 1 | 3324 |
| 124 | Lower combustion chamber packing | 1 | 3325 |
| 125 | Heat exchanger complete assembly | 1 | 3327 (SI) |
| 150 | Fan motor | 1 | 2883 (SI) |
| 151 | Fan motor casing | 1 | 2863 (SI) |
| 153 | Fan connecting bracket | 1 | 3763 |
| 704 | Ignitor bracket | 1 | 3952 |
| 705 | Ignitor | 1 | 2886 |
| 706 | HT lead | 1 | 3651 |
| 707 | Ignitor cover | 1 | 3953 |
| 714 | Thermal fuse harness | 1 | 4753 |
| 807 | Screw | 5 | 4768 |

This diagram is provided to assist you to identify parts if replacement is necessary. Contact your place of purchase or the manufacturer to enquire about parts, availability and/or service.



| Ref. | Description | Qty. | Part No. |
|-------------------|--|------|-----------|
| SI = stocked item | | | |
| 102 | Gas control assembly | 1 | 3312 |
| 402 | Incoming water filter | 1 | 3839 (SI) |
| 404 | Water turbine | 1 | 2850 |
| 405 | Flow servo & sensor assembly (with valve heater) | 1 | 5227 (SI) |
| 407 | Bypass servo assembly | 1 | 3944 (SI) |
| 410 | Hot water outlet ¾ NPT | 1 | 3946 |
| 411 | Plug band hot water | 1 | 2926 |
| 413 | Stop bracket | 1 | 3948 |
| 700 | PCB | 1 | 3949 |
| 701 | Surge protector | 1 | 4930 (SI) |
| 702 | PCB front cover | 1 | 3950 |
| 703 | PCB side cover | 1 | 3951 |
| 730 | Status monitor bracket | 1 | 4761 |
| 809 | Screw | 3 | 4769 |
| 821 | Screw | 1 | 4770 |
| 822 | Screw | 4 | 4771 |
| 823 | Screw | 2 | 4772 |
| 824 | Screw | 3 | 4773 |

This diagram is provided to assist you to identify parts if replacement is necessary. Contact your place of purchase or the manufacturer to enquire about parts, availability and/or service.



| Ref. | Description | Qty. | Part No. |
|-------------------|--------------------------------------|------|-----------|
| SI = stocked item | | | |
| 708 | 230 V A-frost heater assembly | 1 | 3955 |
| 712 | 230 V valve heater assembly | 1 | 4752 |
| 714 | Thermal fuse harness | 1 | 4753 |
| 716 | Thermistor | 1 | 2884 (SI) |
| 720 | Fuse harness (no heater) | 1 | 4755 |
| 720 | Fuse harness antifrost (with heater) | 1 | 4756 |
| 721 | 220 V power supply harness | 1 | 4757 |
| 722 | 220 V ignitor harness | 1 | 4758 |
| 723 | Sensor harness | 1 | 4759 |
| 725 | Remote control harness | 1 | 2891 |