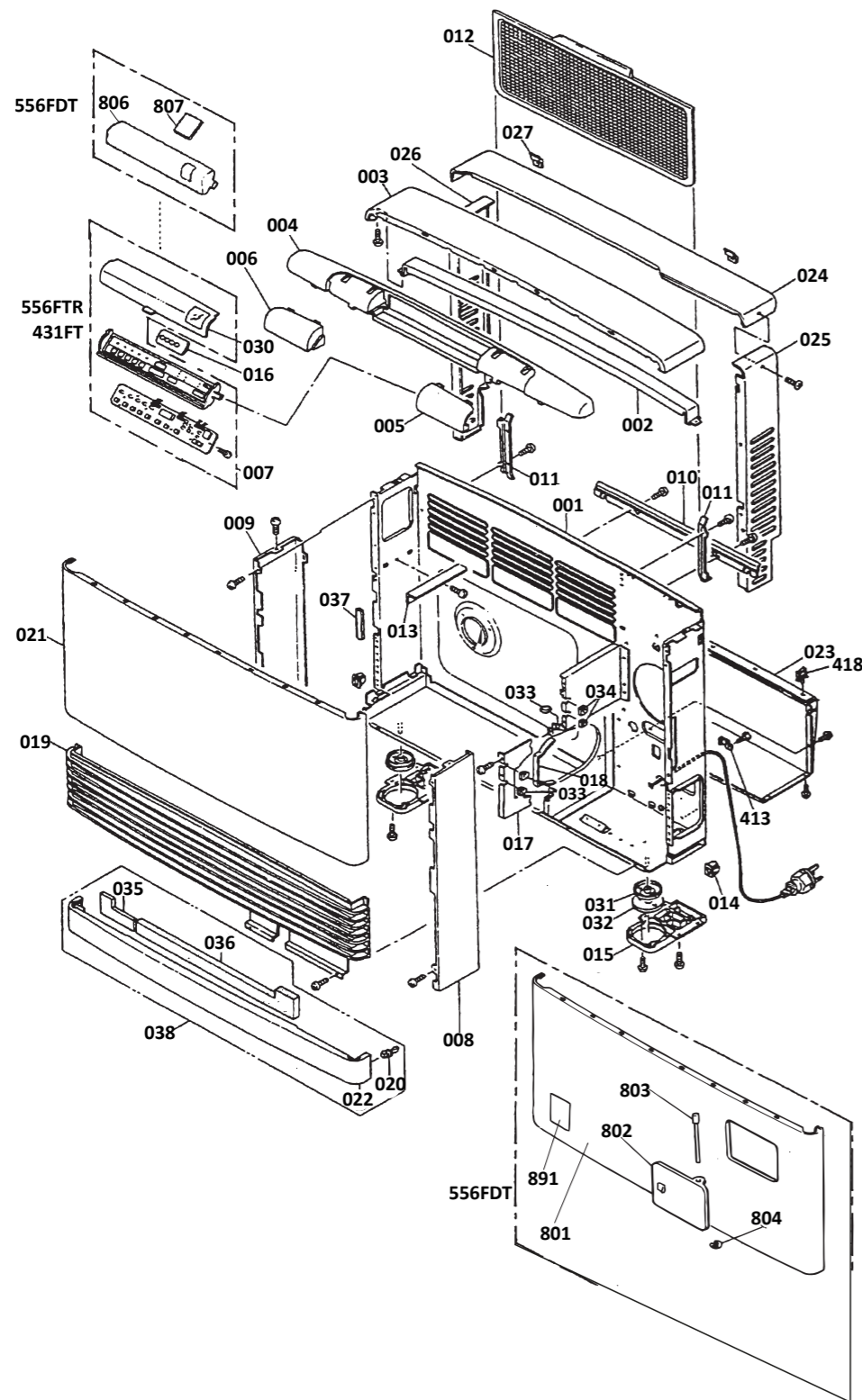


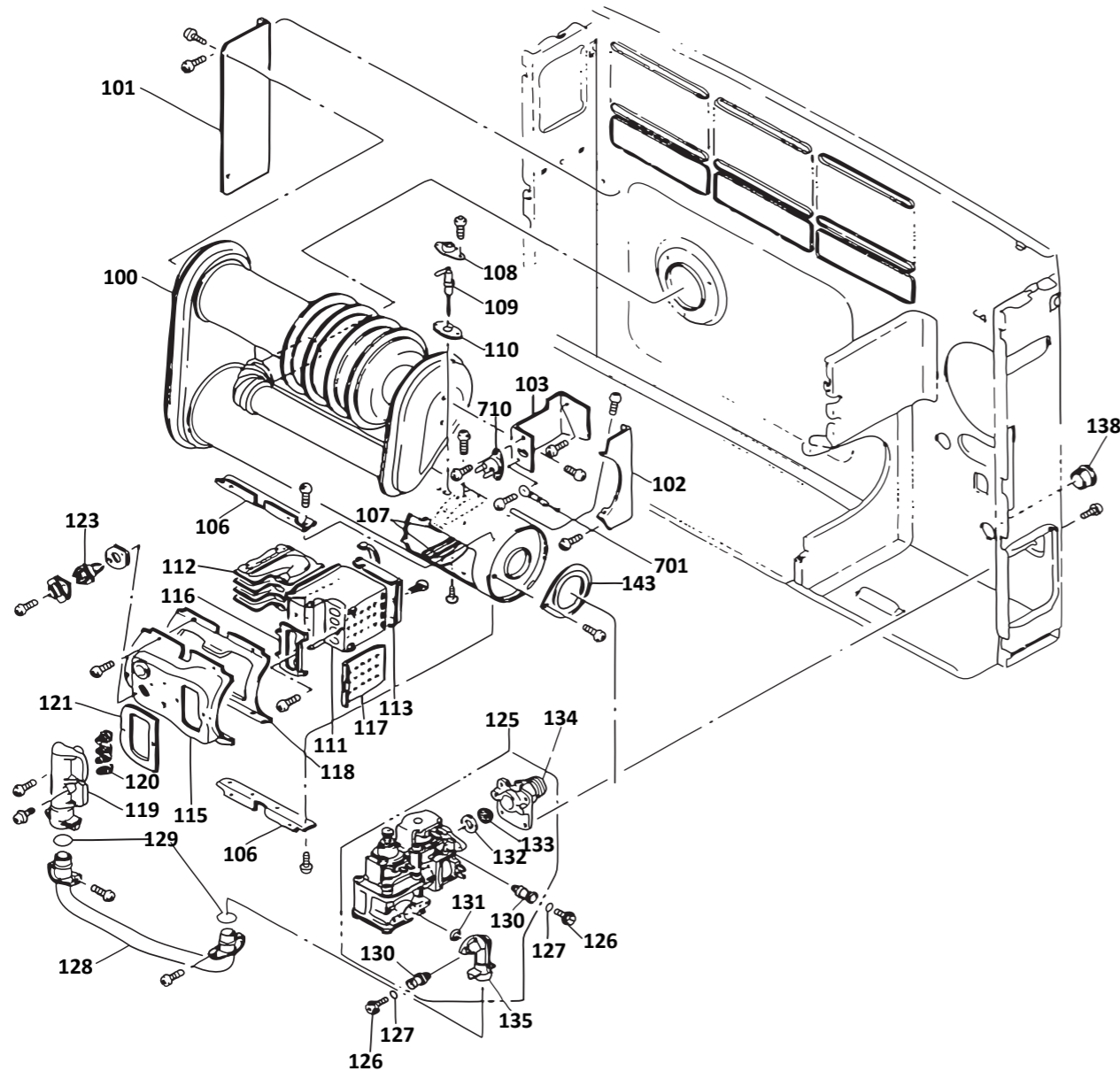
This diagram is provided to assist you to identify parts if replacement is necessary. Contact your place of purchase or the manufacturer to enquire about parts, availability and/or service.



Ref.	Description	Qty.	Part No.
001	Rear panel assembly	1	Not available
002	Top panel support	1	Not available
003	Top panel white/beige	1	3000I/3000
004	Control panel plastic body white/beige	1	3006I/3006
005	Control panel RH side white/beige	1	3007I/3007
006	Control panel LH side white/beige	1	3229I/3229
007	Control PCB white/beige	1	3197I/3197
008	Side panel RH white/beige	1	3011I/3011
009	Side panel LH white/beige	1	3021I/3021
010	Filter clip bottom	1	Not available
011	Filter clip side	2	4001
012	Air filter white/beige	1	3026I/3026
013	Convection fan bracket	1	Not available
014	Latch	1	3028
015	Foot	2	3030
017	Heat sealing bracket	1	Not available
018	Heat exchanger packing B	1	4036
019	Louvre white/beige	1	3032I/3032
020	Strike	2	3038
021	Front panel white/beige	1	3503/3024
022	Skirt white/beige	1	Not available
023	Rear panel heat shield	1	Not available
024	Back spacer top white/beige	1	3049I/3049
025	Back spacer RH white/beige	1	3050I/3050
026	Back spacer LH white/beige	1	3060I/3060
027	Wall fixing bracket	2	6684
030	Control cover white	1	30631I
031	Foot base	2	1610
032	Rubber foot	2	4024
033	Cord packing B	3	Not available
034	Cord packing A	2	Not available
035	Heat insulation material A	1	3064
036	Heat insulation material B	1	3065
037	Rear panel packing	1	Not available

Ref.	Description	Qty.	Part No.
038	Skirt complete white/beige	1	3077I/3077
413	Electrical cord holder	1	Not available
418	Wiring clip	3	Not available
-	Remote (Please note: CR2025 cell battery not included)	1	13100

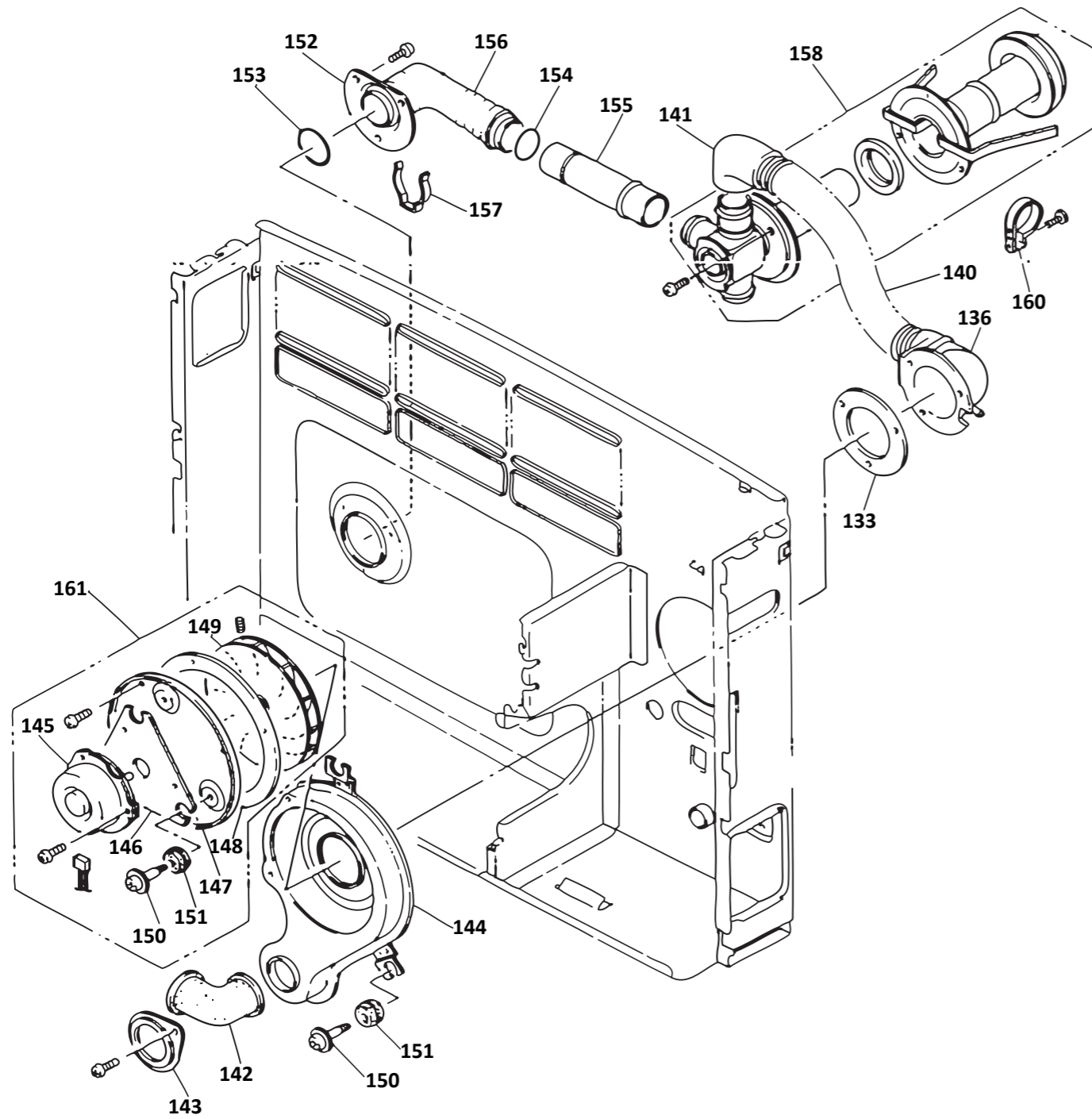
This diagram is provided to assist you to identify parts if replacement is necessary. Contact your place of purchase or the manufacturer to enquire about parts, availability and/or service.



Ref.	Description	Qty.	Part No.
100	Heat exchanger	1	3198
101	Heat exchanger fixing bracket	1	Not available
102	Comb. chamber fixing bracket	1	Not available
103	OHS bracket	1	Not available
106	Flange	2	Not available
107	Seal bracket	2	Not available
108	Flame rod bracket	1	3068
109	Flame rod	1	4299
110	Flame rod packing	1	3069
111	Burner box	1	Not available
112	Burner NG/LPG	4	3091
113	Burner clip	1	Not available
115	Burner box mounting bracket	1	Not available
116	Primary air damper	1	4390
117	Secondary air damper NG	1	3378
117	Secondary air damper LPG	1	3377
118	Fixing bracket packing	1	4268
119	Injector manifold	1	Not available
120	Main injector LPG 0.85 mm	4	3199
120	Main injector NG 1.30 mm	4	3371
121	Manifold packing	1	3094
123	Electrode kit	1	R1346
125	Gas control valve	1	4335
126	Pressure point test screw	2	9994
127	O-ring	2	2239
128	Gas supply tube	1	3100
129	Gas supply tube o-ring	2	4357
130	Pressure test point	2	4204
131	O-ring	1	1967

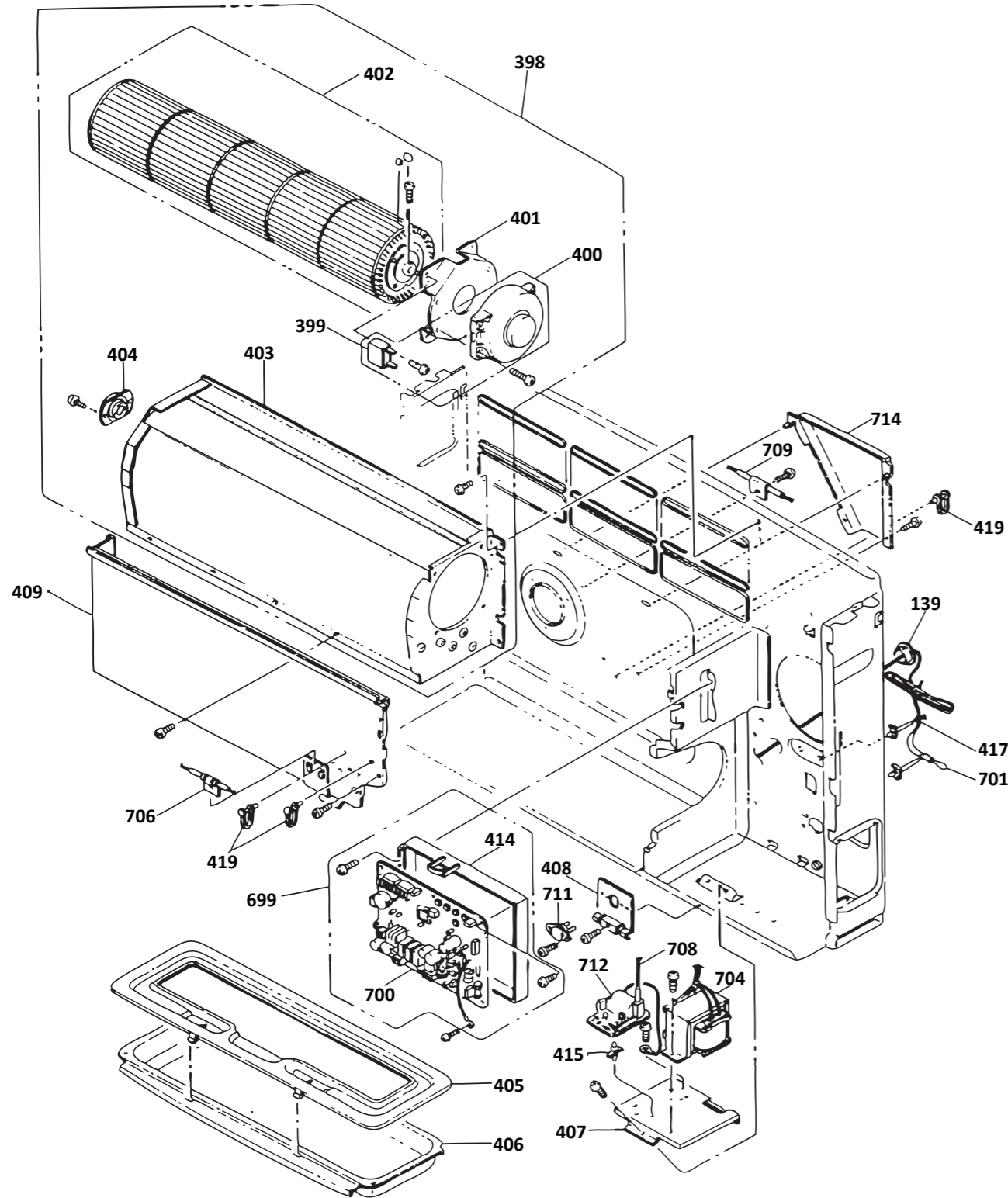
Ref.	Description	Qty.	Part No.
132	Rubber packing	1	10290
133	Gas filter	1	4225
134	Gas inlet	1	4360
135	Elbow	1	4361
138	Cable protector	1	Not available
143	Flex. connection tube clip	1	3103
701	Room temp. thermistor	1	3114
710	OHS 130 °C off	1	4385

This diagram is provided to assist you to identify parts if replacement is necessary. Contact your place of purchase or the manufacturer to enquire about parts, availability and/or service.



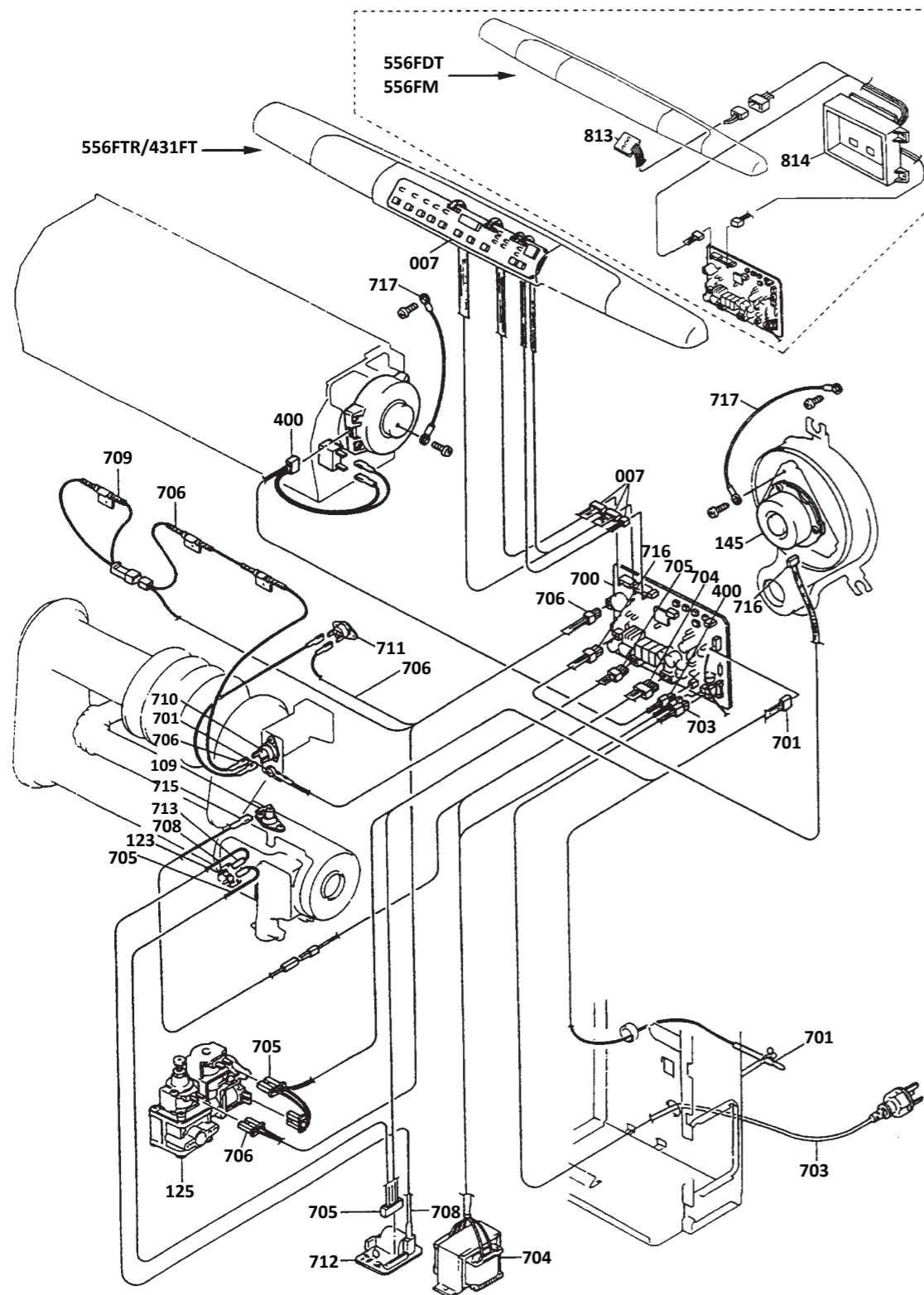
Ref.	Description	Qty.	Part No.
133	Air inlet packing	1	4053
136	Air inlet	1	4367
140	Flexible intake hose	1	4041
141	Air inlet elbow	1	4040
142	Combustion chamber connection tube	1	3102
143	Flexible connection tube clip	1	3103
144	Combustion fan casing	1	Not available
145	Combustion motor	1	3104
146	Combustion motor bracket	1	Not available
147	Combustion fan cover	1	Not available
148	Blanking panel packing	1	Not available
149	Combustion fan blade	1	3907
150	Motor fixing screw	6	Not available
151	Motor rubber cushion	6	4028
152	Flue slide tube	1	3514
153	O-ring 35.5 mm	1	4037
154	O-ring sealing 34 mm	1	4369
155	Exhaust slide tube	1	4175
156	Flue outlet cover	1	4176
157	Insulation clip	1	4171
158	Flue AA (75-115 mm)	1	R1350
158	Flue A (115-240 mm)	1	R1351
158	Flue B (240-400 mm)	1	R1352
158	Flue C (400-600 mm)	1	R1353
158	Flue D (600-800 mm)	1	R1353D
158	Flue E (800-1000 mm)	1	R1353E
160	Clip	2	4373
161	Combustion fan assembly	1	3105

This diagram is provided to assist you to identify parts if replacement is necessary. Contact your place of purchase or the manufacturer to enquire about parts, availability and/or service.



Ref.	Description	Qty.	Part No.
139	Bush	1	Not available
398	Convection fan assembly	1	3106
399	Capacitor	1	3107
400	Convection fan motor	1	3108
401	Motor base	1	Not available
402	Convection fan blade	1	3109
403	Convection fan casing	1	Not available
404	Fan bearing	1	2101
405	Humidifier tray cover	1	3110
406	Humidifier R-tray	1	3111
407	Sparker mounting bracket	1	Not available
408	OHS mounting bracket	1	Not available
409	Heat shield	1	Not available
414	PCB mounting bracket	1	Not available
415	PCB spacer	4	1886
417	Cable clip	1	Not available
419	Speed clip	3	Not available
699	PCB complete	1	Not available
700	PCB	1	3113
701	Room temperature thermistor	1	3114
704	Transformer	1	3116
706	Wiring harness A	1	3119
708	High tension cord	1	Not available
709	OHS harness	1	3075
711	OHS 90 °C off	1	4384
712	Sparker	1	2958
714	TF cover	1	3079

This diagram is provided to assist you to identify parts if replacement is necessary. Contact your place of purchase or the manufacturer to enquire about parts, availability and/or service.



Ref.	Description	Qty.	Part No.
007	Control PCB white/beige	1	3229I/3229
109	Flame rod	1	4299
125	Gas control valve	1	4335
145	Combustion motor	1	3104
400	Convection fan motor	1	3108
700	PCB	1	3113
701	Room temperature thermistor	1	3114
703	Power cord	1	3115
704	Transformer	1	3116
705	MV harness	1	3117
706	Wiring harness A	1	3119
708	High tension cord	1	Not available
709	OHS harness	1	3075
710	OHS 130 °C off	1	4385
711	OHS 90 °C off	1	4384
712	Sparker	1	2958
713	Electrode sleeve	1	7564
715	Flame rod lead	1	4398
716	Motor harness A	1	4399
717	Convection motor earth cord	2	Not available
<b>Not shown in exploded diagram</b>			
-	Surge arrestor	1	3212
-	Harness surge arrestor	1	3213
-	Installation kit	1	3112

Ref.	Description	Qty.	Part No.
<b>Flueing related</b>			
-	Plastic condensate tube	1	9835
-	Fixing strap	1	9830
-	Spiral spacer	4	9833
-	Transition box manifold assy. (thru-wall flue only)	1	1004
-	Transition box manifold assy. (in-wall flue only)	1	1003
-	Header plate & top flue support (in-wall flue only)	1	9831
-	Vertical flue cowl Voumard (in-wall & thru-wall flue only)	1	3232
-	Appliance flue joiner clip (in-wall flue only)	1	9834
-	O-ring for ESPIPE900 & ESDFK	1	4350
-	Spacer for ESPIPE900 & ESDFK	1	4351