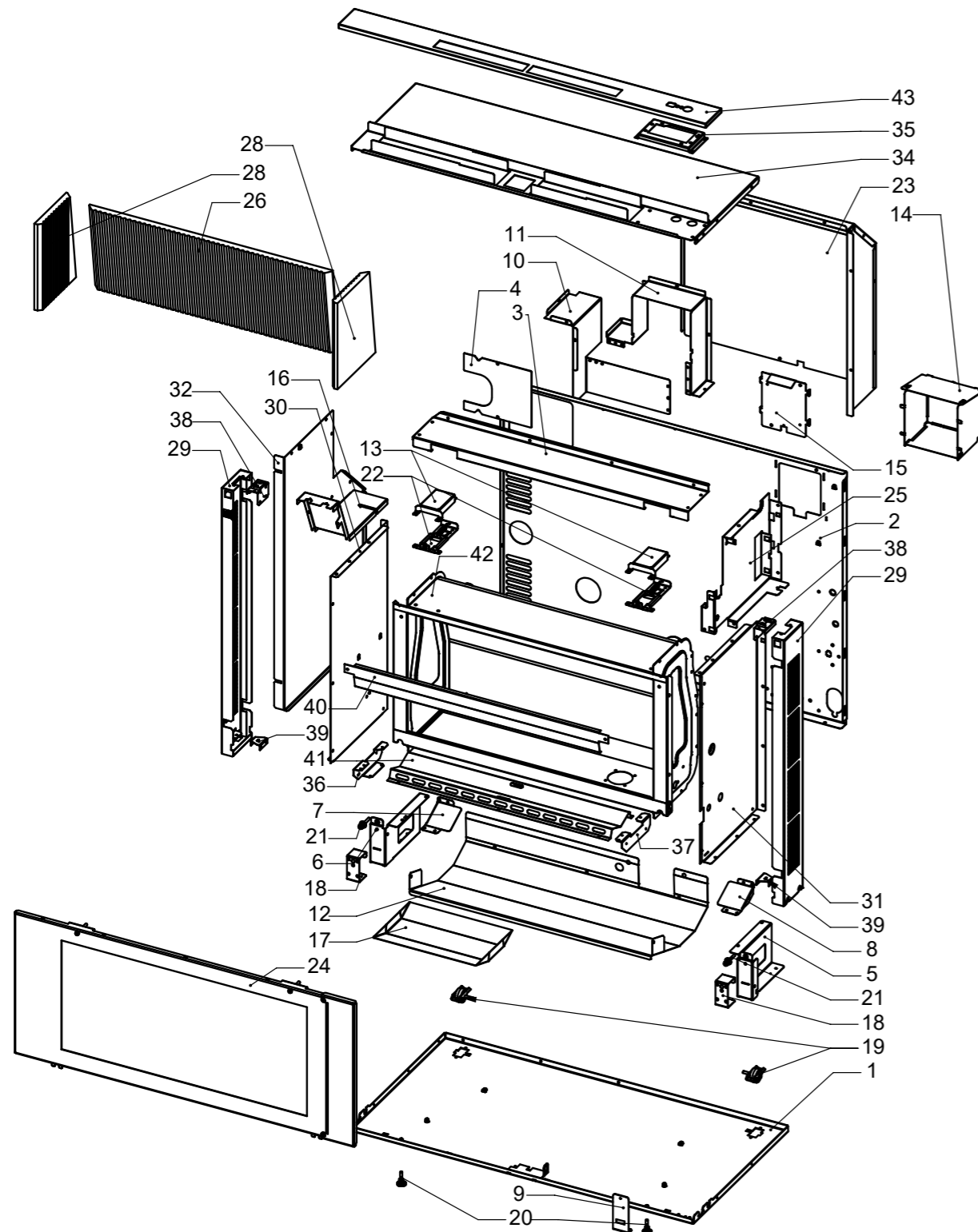


This diagram is provided to assist you to identify parts if replacement is necessary. Contact your place of purchase or the manufacturer to enquire about parts, availability and/or service.

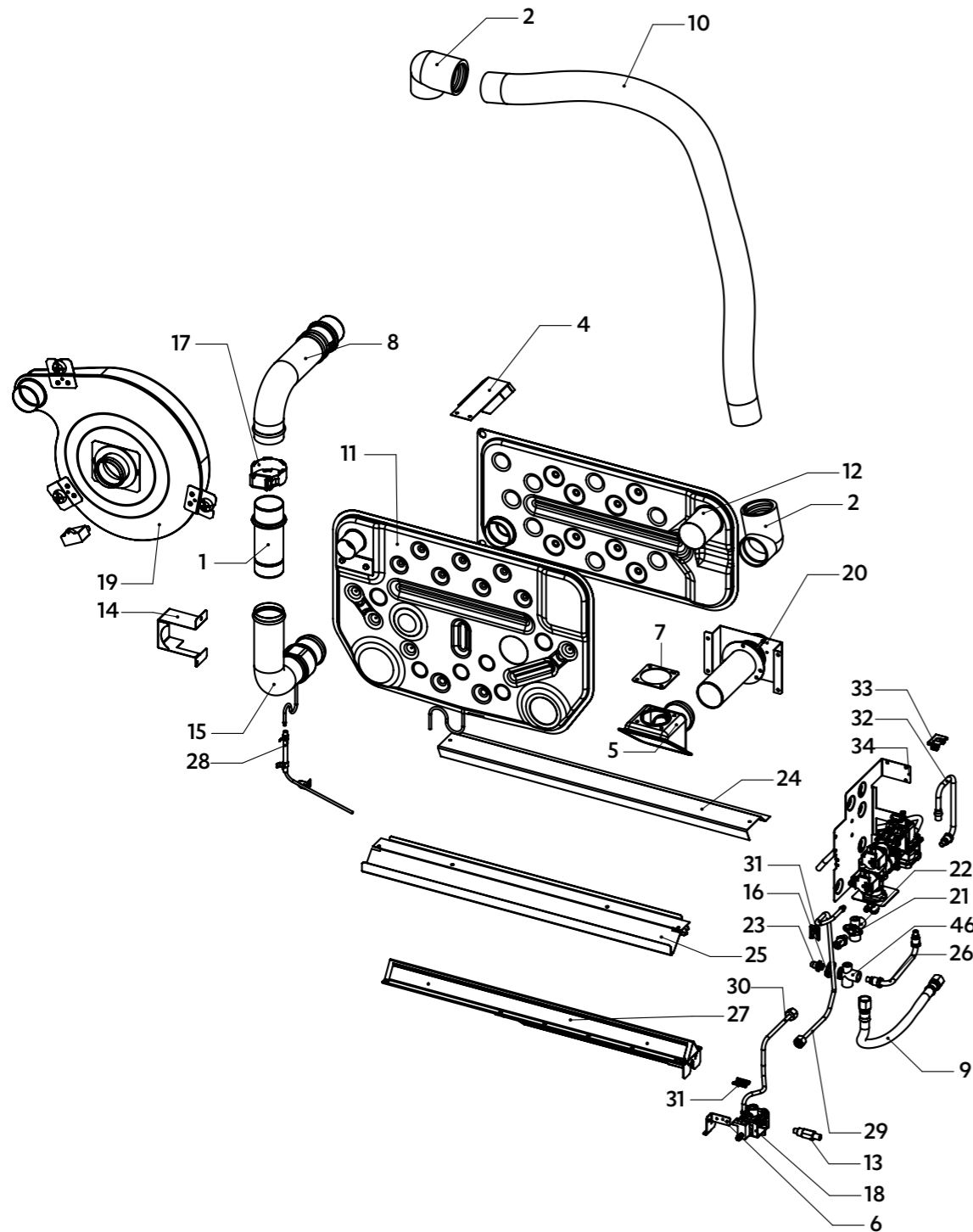


Ref.	Description	Qty.	Part No.
1	Panel base	1	10201
2	Panel heat shield rear	1	10204
3	Panel fan infill	1	10208
4	Panel cover flue outlet	1	10213
5	Bracket comb. chamb. support RH	1	Not available*
6	Bracket comb. chamb. support LH	1	Not available*
7	Panel air diverter LH	1	10231
8	Panel air diverter RH	1	10232
9	Bracket receiver	1	10255
10	Panel comb. fan inlet A	1	10263
11	Panel rear inlet B	1	10264
12	Panel air guide lower black	1	10209M
13	Glass retaining slide cover	2	10390
14	Panel cover transformer	1	10412
15	Bracket transformer mount	1	10413
16	Panel comb. fan flue divider	1	10432
17	Condensate tray	1	10450
18	Bracket front mount	2	10458
19	Wheel kit	2	10751
20	Foot kit	2	10777
21	Glass retainer spring kit	2	10778
22	Glass retainer slide assembly	2	10780
23	Combustion fan cover	1	10781
24	Combustion chamber glass assy.	1	10782
25	Main PCB bracket assy.	1	10786
26	Ceramic panel grooved rear	1	12221
28	Liners ceramic LH & RH set	1	R2743
29	Filter assembly painted galaxy	2	12223GL
30	Panel heat shield LH	1	12230
31	Panel heat shield RH	1	12231
32	Panel outer LH	1	12232
33	Panel outer RH	1	12233

Ref.	Description	Qty.	Part No.
34	Panel top assy.	1	12234
35	Brkt control mount	1	12235
36	Brkt burner surround LH	1	12238
37	Brkt burner surround RH	1	12239
38	Brkt filter top	2	12248
39	Brkt filter bottom	2	12249
40	Top deflector black	1	12252F
41	Panel air distribution	1	12254
42	Comb. chamber assy.	1	12210
43	Panel top	1	12309
Not drawn			
-	Media retainer kit Arriva 752	1	R4824

* Non-serviceable part

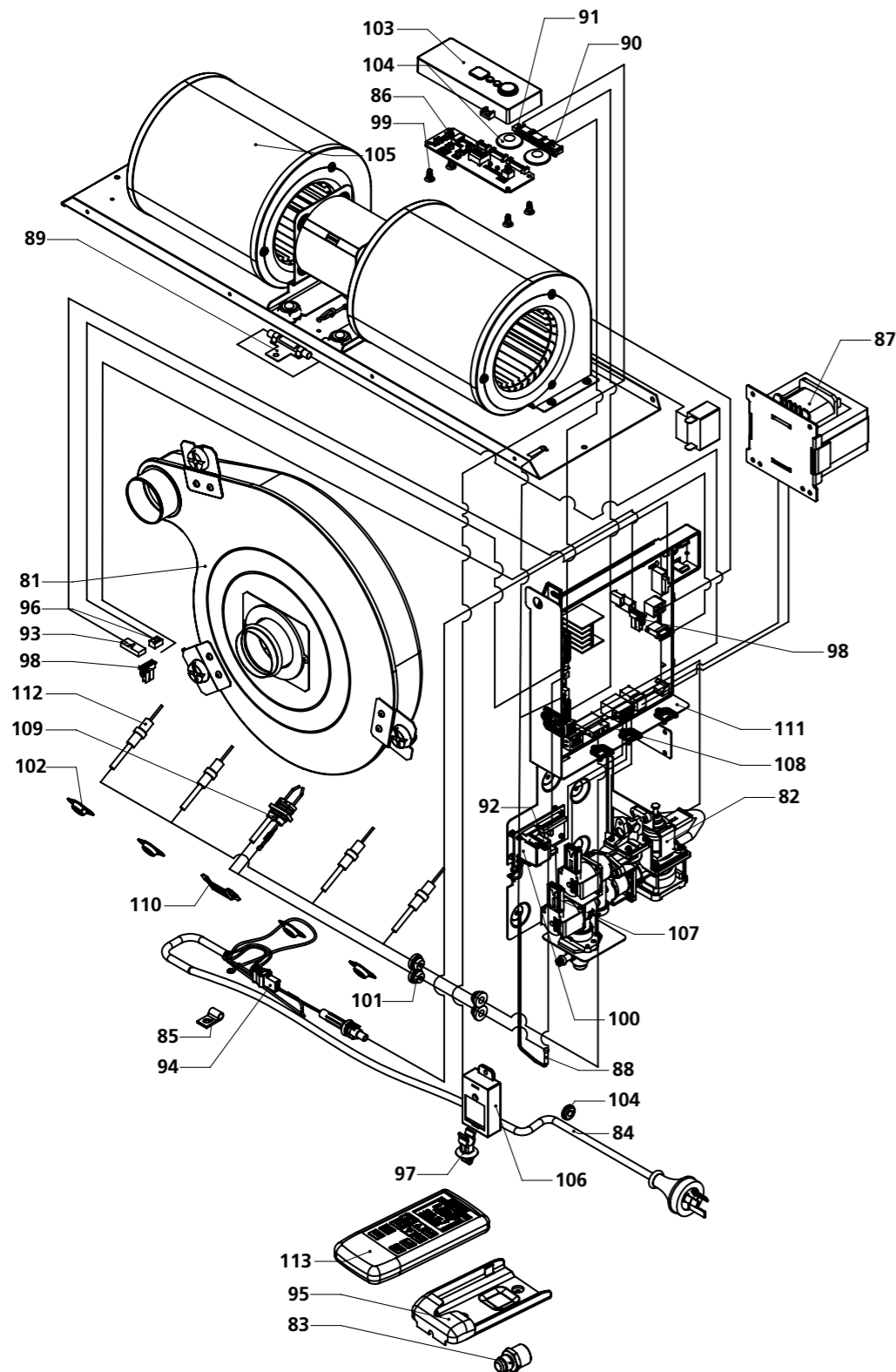
This diagram is provided to assist you to identify parts if replacement is necessary. Contact your place of purchase or the manufacturer to enquire about parts, availability and/or service.



Ref.	Description	Qty.	Part No.
1	Tube flue slide 50 x 135	1	4326
2	Air inlet elbow B 50 x 50	2	4328
4	Brkt heat exchanger top	1	10227
5	Air inlet box front	1	10234
6	Brkt regulator mount	1	10267
7	Packing for air inlet box	1	10271
8	Flue pipe set	1	10313
9	Hose SS 3/8 SAE	1	10330
10	Air inlet hose	1	10349
11	Front heat exchanger assy.	1	10350
12	Rear heat exchanger	1	10351
13	Test point CC	1	10429
14	Brkt comb. fan exhaust	1	10440
15	Flue pipe condensate	1	10446
-	Flue pipe condensate O-ring M10B-4-49		4850
16	Packaging injector block	1	10462
17	Clamp flue 50 mm	1	10478
18	Regulator assy. 7~13 mbar	1	10789
19	Comb. fan assy.	1	10793
20	Air inlet assy	1	10795
21	Bypass adaptor 0.8 LPG	1	12207
22	Injector block A + B + C	1	12208
23	Injector 1.75 ULPG	1	12209
24	Burner surround rear	1	12240
25	Burner surround front	1	12236F

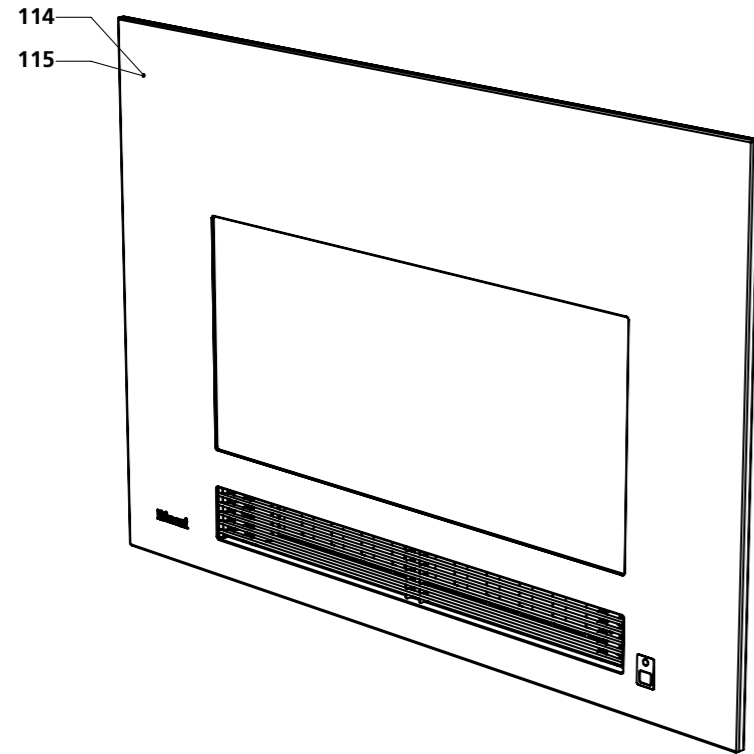
Ref.	Description	Qty.	Part No.
26	Tube gas main	1	12267
27	Burner spare part kit	1	12300
28	Condensate hose pipe kit	1	12301
29	Gas tube pilot kit	1	12302
30	Gas tube ignition kit	1	12303
31	Gas tube retainer kit	2	12304
32	Gas tube bypass kit	1	12305
33	Bypass gas tube retainer	1	12306
34	Gas control spare part	1	12308
35	Screw 2 truss 4 x 8 tap zinc	1	9151
46	Injector block A + C 1/4 BSP	1	7953

This diagram is provided to assist you to identify parts if replacement is necessary. Contact your place of purchase or the manufacturer to enquire about parts, availability and/or service.

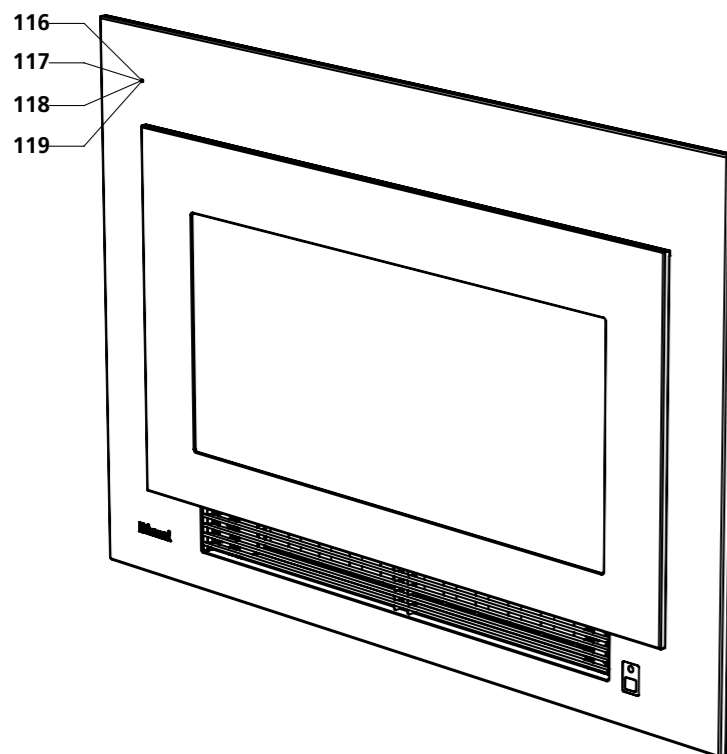


Ref.	Description	Qty.	Part No.
81	Combustion fan assembly	1	10793
82	Gas control	1	12308
83	Reducing flare $\frac{3}{8} \times \frac{1}{2}$ (adaptor for hose—to connect to main gas supply)	1	5074
84	Power cord uni control black	1	13042
85	Power cord clamp	1	9552
86	PCB display	1	10253
87	Transformer	1	10258
88	Harness room thermistor OH1	1	13483
89	Harness OHS thermal fuse	1	10283
90	Harness control panel	1	10284
91	Harness receiver	1	12656
92	HT lead	1	12657
93	Harness combustion fan	1	10289
-	Capacitor combustion fan	1	10744
94	Harness fused power	1	10378
95	Remote control bracket	1	10396
96	Harness combustion fan speed	1	10480
97	Clip pipe 8 mm single	1	10482
98	Harness combustion fan thermistor fly	1	10507
99	Control PCB spacer kit	1	10765
100	Sparker kit (includes PCB spacers)	1	10766
101	Grommet kit	1	10767
102	Flame rod bracket kit (contains 4 brackets)	1	10770
103	Control pan cover kit (includes button)	1	10773
104	Body plug kit (contains 2 x body plugs and 1 x power cord grommet)	1	10779
105	Convection fan assembly	1	10791
106	Receiver assembly	1	10798
107	Wiring harness	1	12202
108	Harness flame rod	1	12203
109	Double electrode	1	12204
110	Electrode bracket	1	12243
111	PCB assembly	1	12307
112	Flame rod kit	1	12310
113	Remote control	1	12201

This diagram is provided to assist you to identify parts if replacement is necessary. Contact your place of purchase or the manufacturer to enquire about parts, availability and/or service.



Ref.	Description	Qty.	Part No.
Single fronted - flat fascia			
114	Fascia black	1	R2711
114	Fascia stainless steel	1	R7712



Ref.	Description	Qty.	Part No.
Double fronted fascia			
116	Fascia stainless steel inner on black outer	1	R2713
117	Fascia black inner on black outer	1	R2714
118	Fascia stainless steel inner on stainless steel outer	1	R2715
119	Fascia black inner on stainless steel outer	1	R2716