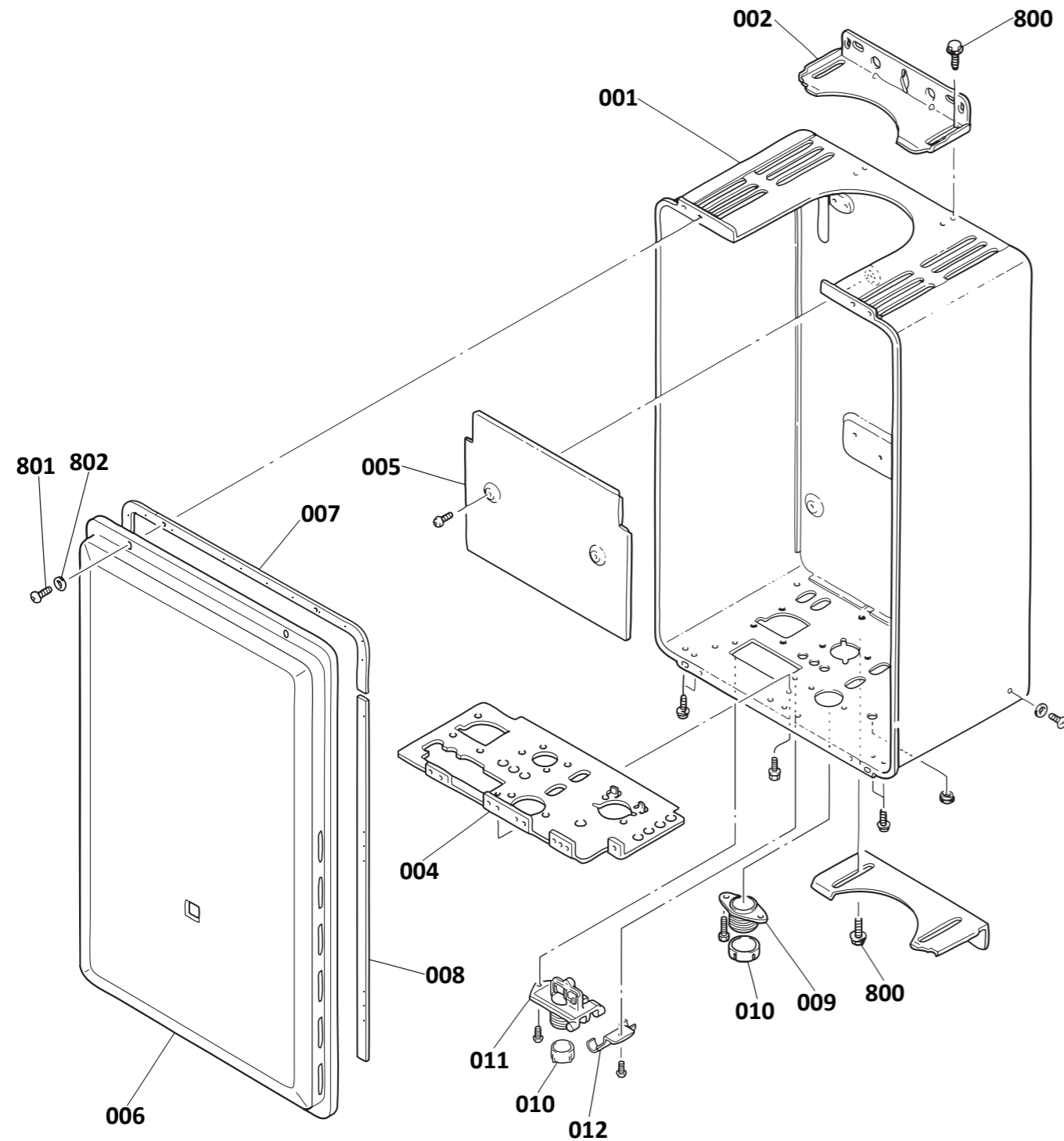


INFINITY XR26i/XR26ia internal (REU-VR2632FFUG/T) internal water heater

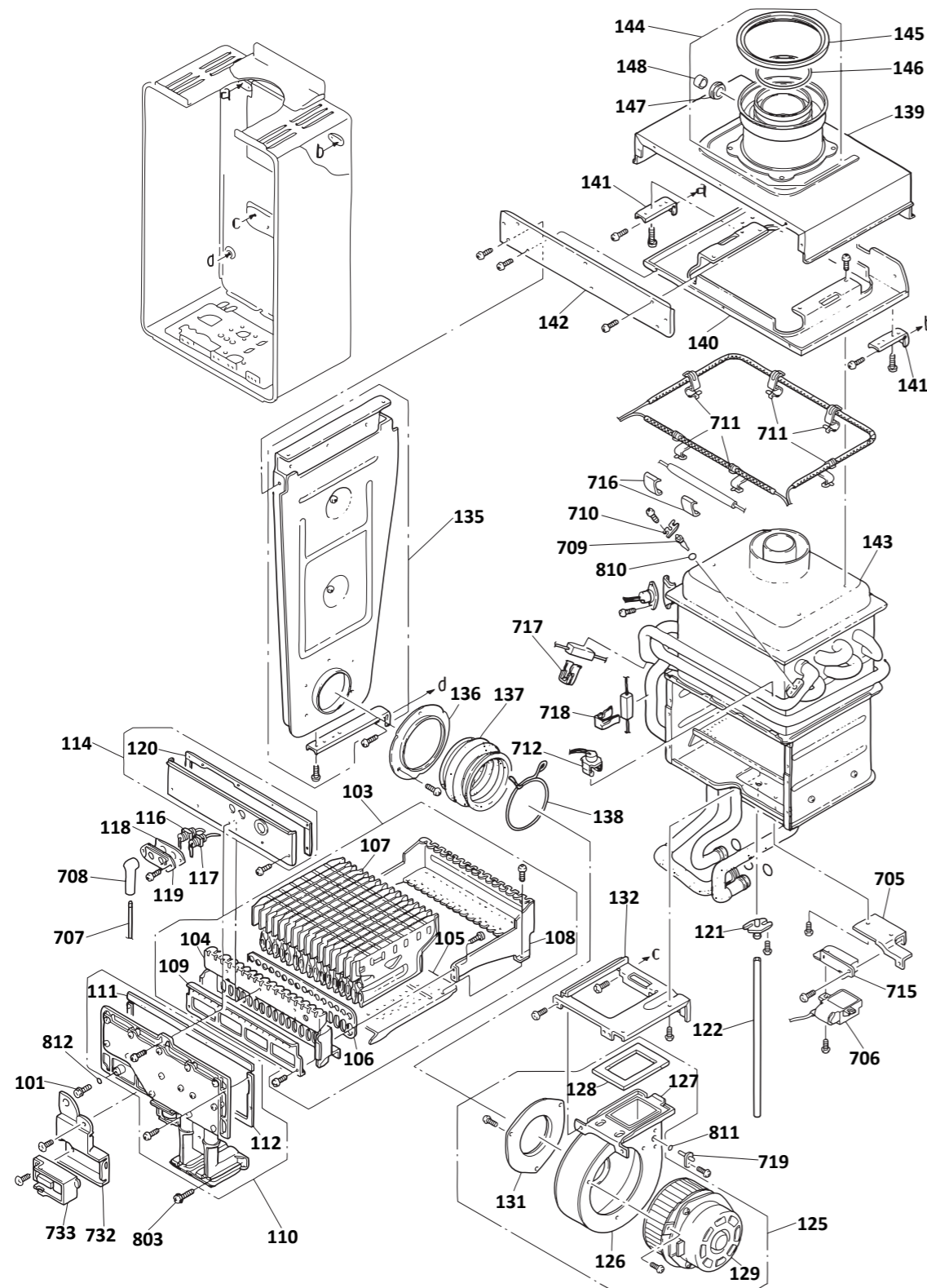
This diagram is provided to assist you to identify parts if replacement is necessary. Contact your place of purchase or the manufacturer to enquire about parts, availability and/or service.



Ref.	Description	Qty	Part No.
SI = stocked item			
001	Main body assembly	1	4911 (SI)
002	Wall fitting bracket	1	3412 (SI)
004	Connection reinforcement	1	4917 (SI)
005	Heat protection plate	1	4933 (SI)
006	Front panel	1	4918 (SI)
007	Front panel packing	1	3418 (SI)
008	Main body packing side	2	3807 (SI)
009	Cable connection	2	3896 (SI)
010	Cable seal packing	2	2928 (SI)
011	Quick connect assy	1	3310 (SI)
012	Quick connect bracket	1	3311 (SI)
800	Hexagon FT screw	2	4766 (SI)
801	Earth screw	1	2897 (SI)
-	Truss screw	3	2939 (SI)
802	Resin washer	1	4762 (SI)

INFINITY XR26i/XR26ia internal (REU-VR2632FFUG/T) internal water heater

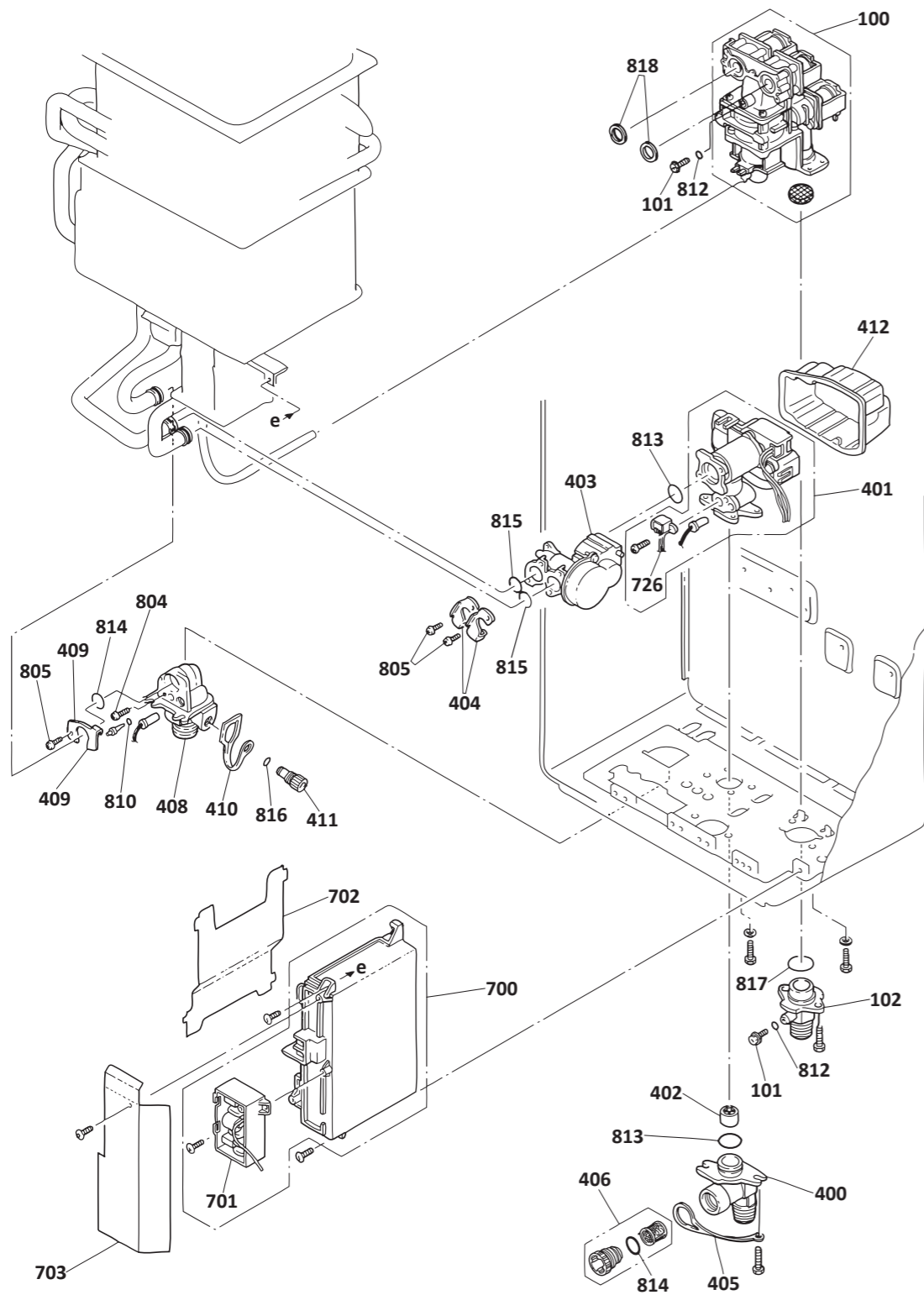
This diagram is provided to assist you to identify parts if replacement is necessary. Contact your place of purchase or the manufacturer to enquire about parts, availability and/or service.



Ref.	Description	Qty.	Part No.
SI = stocked item			
101	Pressure point screw	1	3564 (SI)
103	24-burner unit assembly NG	1	3566 (SI)
103	24-burner unit assembly LPG	1	5337 (SI)
104	U-burner case front panel	1	4937 (SI)
105	24-burner case bottom panel	1	4938 (SI)
106	Packing	1	4939 (SI)
107	Lean and rich burner assy	1	3440 (SI)
108	Burner case back panel	1	4940 (SI)
109	24-damper NG	1	5267 (SI)
109	24-damper LPG	1	3567 (SI)
110	Manifold assembly LPG	1	4941 (SI)
110	Manifold assembly NG	1	4942 (SI)
111	Combustion chamber packing	1	3589 (SI)
112	24-combustion chamber packing	1	3597 (SI)
114	Combustion chamber front	1	4943 (SI)
116	Electrode	1	3445 (SI)
117	Flame rod	1	3464 (SI)
118	Electrode	1	3322 (SI)
119	Electrode holder packing	1	3468 (SI)
120	Combustion chamber packing	1	3600 (SI)
121	Back pressure joint	1	3604 (SI)
122	Pressure switch tube C	1	4945 (SI)
125	Fan assembly	1	4898 (SI)
126	Fan casing assembly	1	4922 (SI)
127	Fan connecting bracket	1	4948 (SI)
128	Fan connecting bracket packing	1	2669 (SI)
129	Fan motor assembly	1	4923 (SI)
131	Joint fixing pipe	1	5215 (SI)
132	Combustion chamber bracket	1	5216 (SI)
135	Air inlet box assembly	1	5217 (SI)
136	Joint bracket	1	5218 (SI)
137	Connecting joint	1	5219 (SI)
138	Joint fixing bracket	1	5220 (SI)
139	Air inlet duct assembly	1	4925 (SI)
140	Joint exhaust tube frame	1	4929 (SI)

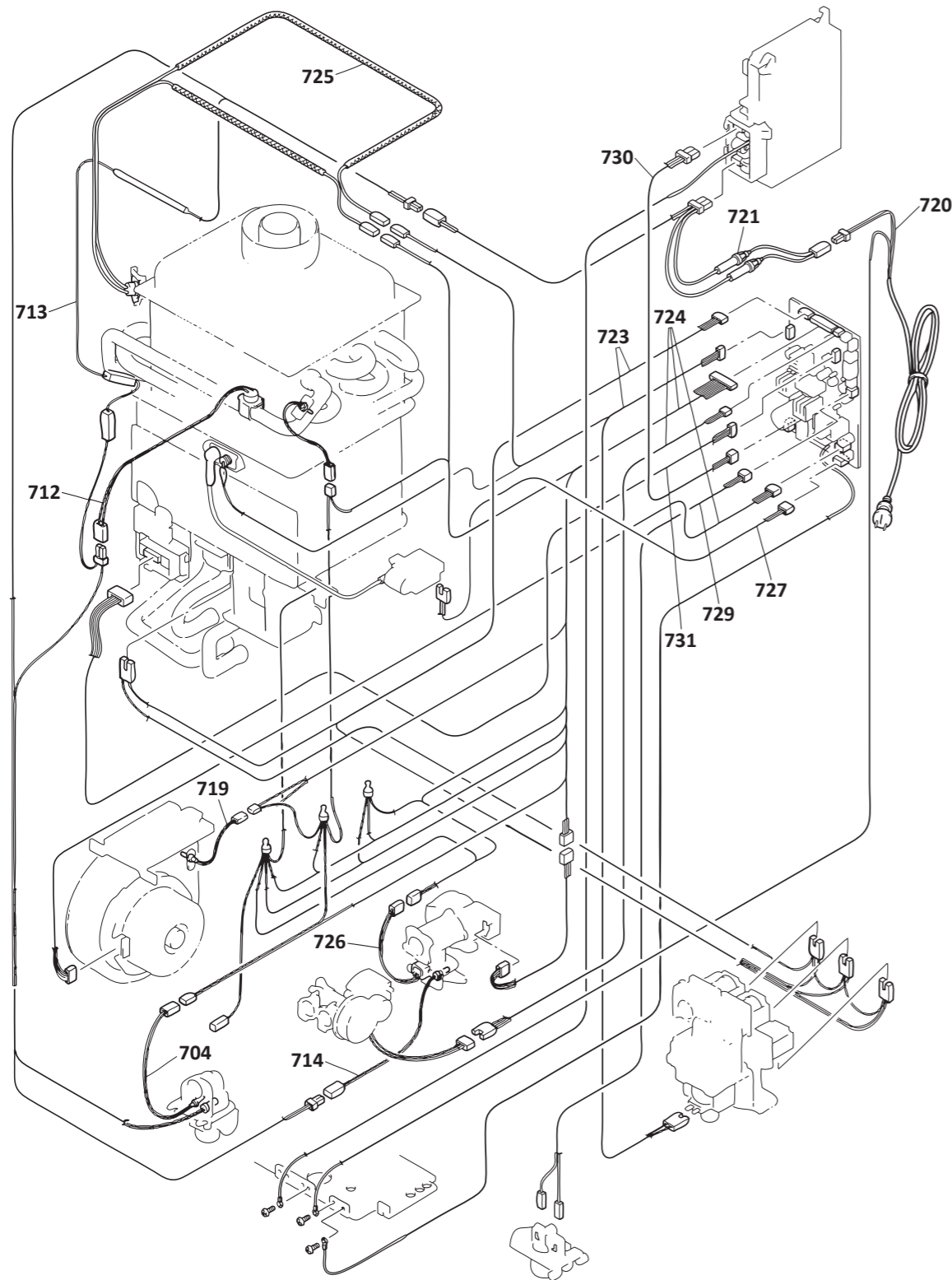
Ref.	Description	Qty.	Part No.
141	Joint exhaust tube frame support	1	5223 (SI)
142	Air inlet box lid	1	4976 (SI)
143	Heat exchanger assembly	1	5225 (SI)
144	Flue connection assembly	1	4913 (SI)
145	Seal ring	1	4978 (SI)
146	O-ring	1	4977 (SI)
147	Pipe seal	1	4979 (SI)
148	Condensate cap	1	4980 (SI)
705	Electric unit fixing plate	1	5231 (SI)
706	Ignitor assembly	1	2886 (SI)
707	High tension lead	1	5335 (SI)
708	Electrode sleeve	1	3475 (SI)
709	Thermistor	1	2885 (SI)
710	Thermistor clip	1	3882 (SI)
711	Temperature fuse fixing	1	3659 (SI)
712	Frost sensing switch	1	3675 (SI)
715	Ignitor fixing plate	1	5345 (SI)
716	Heat exchanger clip	2	3891 (SI)
717	Clip pipe 2-sided	1	3917 (SI)
718	Heater clip	1	2899 (SI)
719	Inlet air thermistor	1	5234 (SI)
810	O-ring (P-4)	2	3832 (SI)
811	O-ring (P-3)	1	2974 (SI)
812	O-ring (S-4)	3	2239 (SI)

This diagram is provided to assist you to identify parts if replacement is necessary. Contact your place of purchase or the manufacturer to enquire about parts, availability and/or service.



Ref.	Description	Qty	Part No.
SI = stocked item			
100	Gas control	1	4936 (SI)
101	Pressure point screw	1	3564 (SI)
102	Gas connection $\frac{3}{4}$	1	3074 (SI)
400	Inlet water $\frac{3}{4}$	1	2894 (SI)
401	Water flow servo and sensor (no heat)	1	5226 (SI)
401	Water flow servo and sensor (with heat)	1	5227 (SI)
402	Balancer	1	3487 (SI)
403	By-pass servo assembly	1	3944 (SI)
404	Stop bracket	2	3624 (SI)
405	Plug band inlet	1	2927 (SI)
406	Incoming water filter	1	3839 (SI)
408	Hot water connector $\frac{3}{4}$	1	3625 (SI)
409	Stop bracket	1	3645 (SI)
410	Plug band hot water	1	2626 (SI)
411	Valve	1	3491 (SI)
412	Water flow servo cover	1	2871 (SI)
700	PCB assy	1	5349 (SI)
701	Surge protector	1	4930 (SI)
702	PCB cover	1	5230 (SI)
703	EC cover	1	3950 (SI)
726	MR sensor assy	1	5239 (SI)
804	Fixing screw	1	3241 (SI)
805	Screw	2	5244 (SI)
810	O-ring (P-4)	1	3832 (SI)
812	O-ring (S-4)	1	2239 (SI)
813	O-ring (P-18)	1	3627 (SI)
814	O-ring (P-16)	1	1244 (SI)
815	O-ring (P-14)	1	3826 (SI)
816	O-ring (P-7)	1	1031 (SI)
817	O-ring (P-24)	1	3837 (SI)
818	Gasket	2	3773 (SI)

This diagram is provided to assist you to identify parts if replacement is necessary. Contact your place of purchase or the manufacturer to enquire about parts, availability and/or service.



Ref.	Description	Qty	Part No.
SI = stocked item			
704	Thermistor	1	2884 (SI)
712	Frost sensing switch	1	3675 (SI)
713	Antifrost heater	1	5233 (SI)
714	230 V valve heater assembly	1	4752 (SI)
719	Inlet air thermistor	1	5234 (SI)
720	Power cord Infinity	1	3526 (SI)
721	Fuse harness	1	5235 (SI)
723	Magnet valve harness	1	5236 (SI)
724	Harness sensor	1	5350 (SI)
725	Thermal fuse and relay harness	1	3770 (SI)
726	MR sensor	1	5239 (SI)
727	Ignitor harness	1	5240 (SI)
729	Remote controller harness	1	2891 (SI)
730	Power harness	1	5241 (SI)