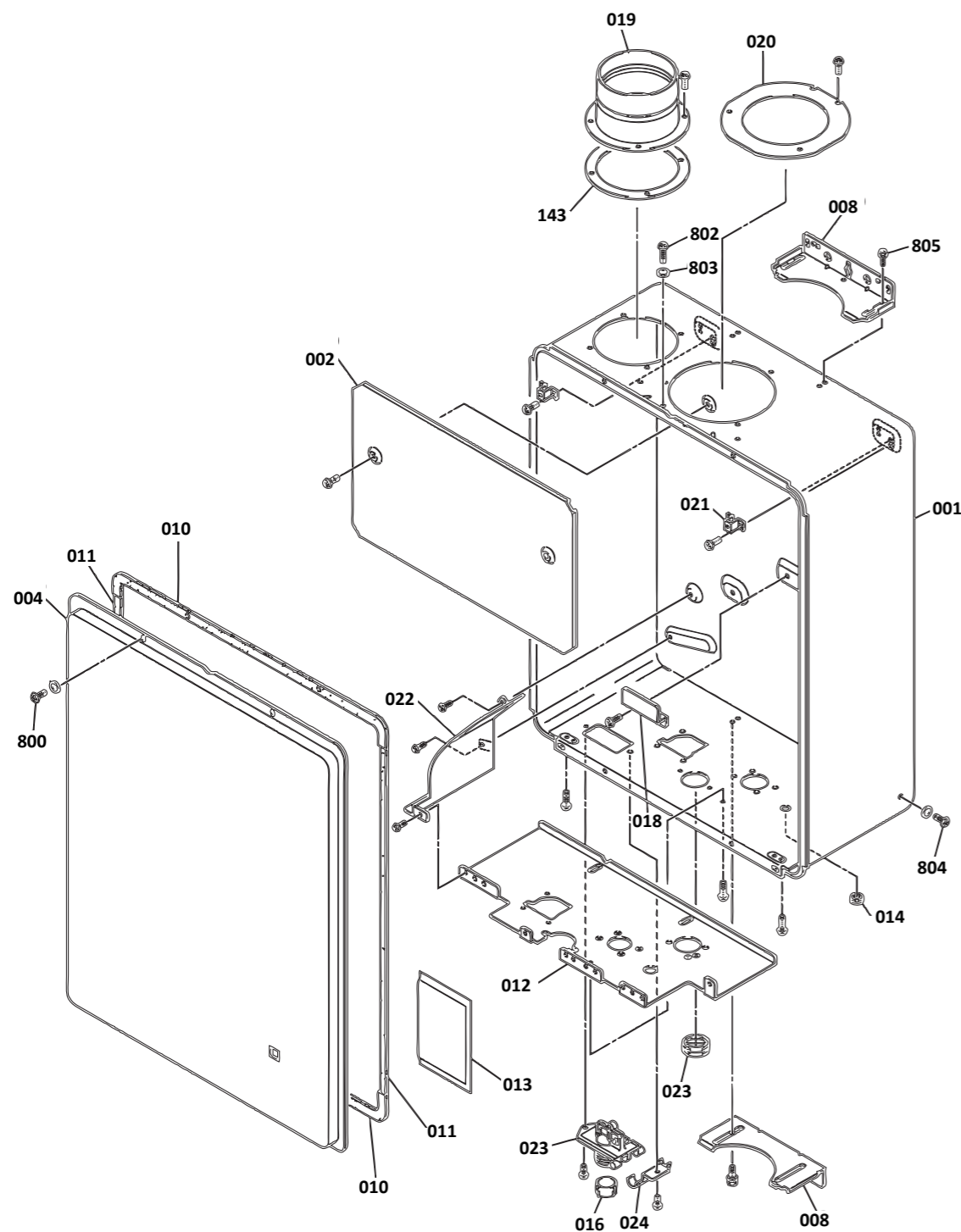


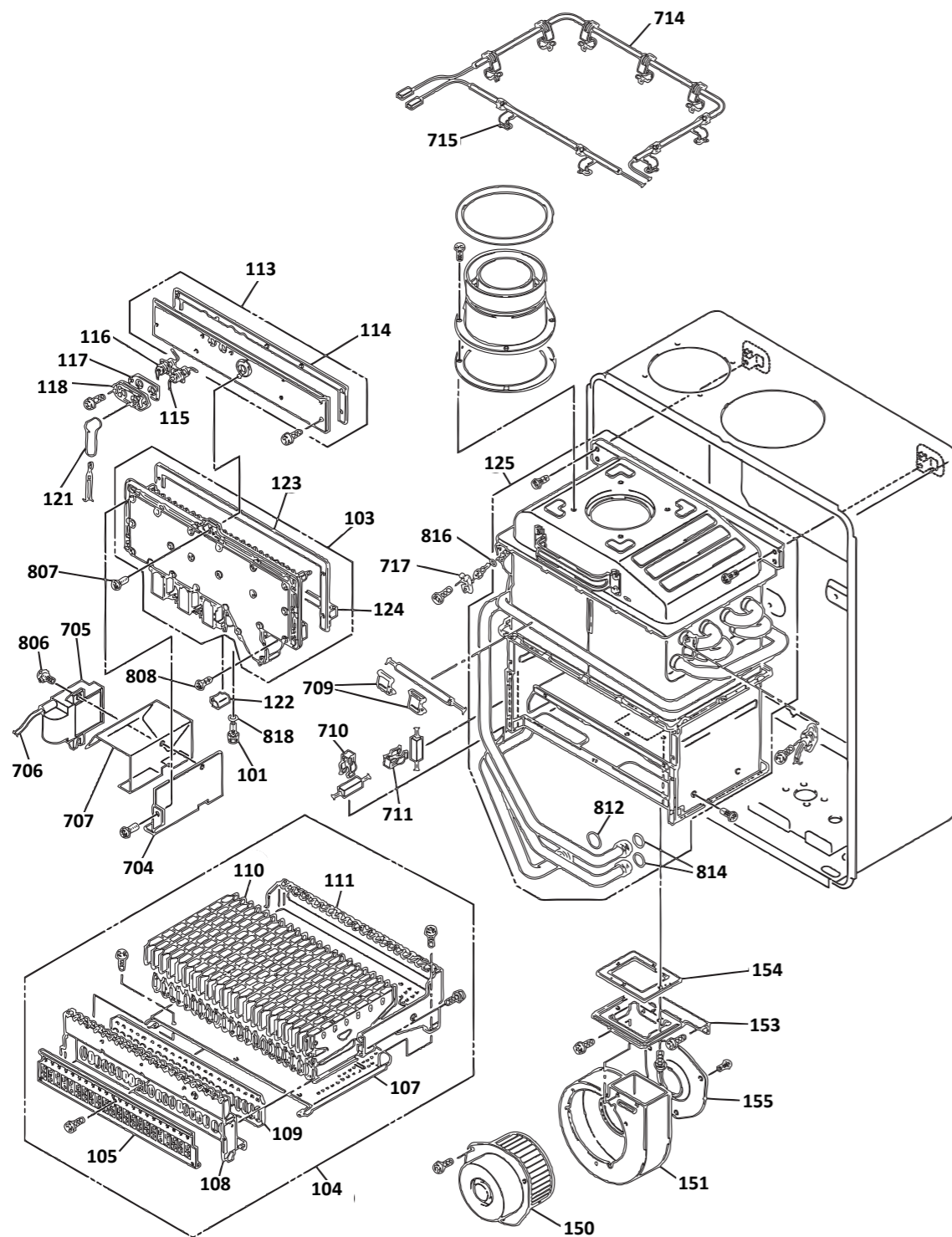
INFINITY HD250i (REU-VM3237FFUC) internal water heater

This diagram is provided to assist you to identify parts if replacement is necessary. Contact your place of purchase or the manufacturer to enquire about parts, availability and/or service.



Ref.	Description	Qty.	Part No.
SI = stocked item			
001	Casing assembly	1	3291
002	Heat protection plate	1	3294
004	Front panel assembly	1	3295 (SI)
008	Wall bracket	2	3387 (SI)
010	Front panel packing	2	3418 (SI)
011	Front panel packing side	2	3423 (SI)
012	Panel connection reinforcement	1	3300
013	Bag for installation manual	1	3301
014	Seal packing	1	2898
016	Cable seal packing	1	2928
018	Reinforcement plate	1	3303
019	Air intake vent	1	3304
020	Seal plate Ø 100	1	3305
022	Fan rectifier	1	3308 (SI)
023	Cable access assembly	1	3310
024	Cable access bracket	1	3311
143	Packing Ø 100	1	3345
800	Screw pack for front panel	1	R5040
802	Screw	2	4763
803	Washer	7	4764
804	Screw	10	4765
805	Screw	8	4766

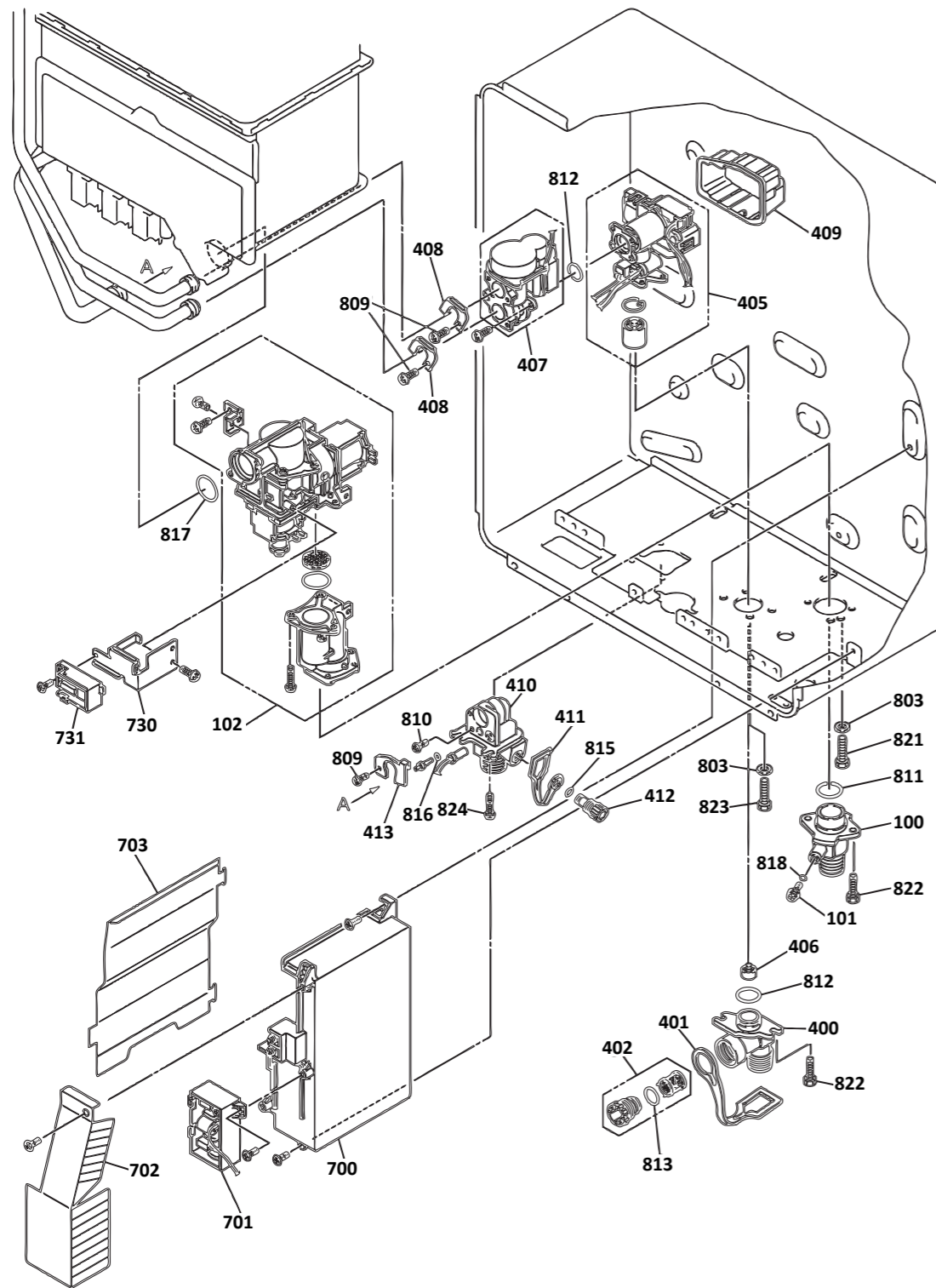
This diagram is provided to assist you to identify parts if replacement is necessary. Contact your place of purchase or the manufacturer to enquire about parts, availability and/or service.



Ref.	Description	Qty.	Part No.
SI = stocked item			
101	Test point screw c/w o-ring	1	15330 (SI)
103	Manifold assembly LPG	1	3313
103	Manifold assembly NG	1	3314
104	Burner unit assembly	1	3315
105	Damper	1	3316
107	Burner case bottom plate	1	3317
108	Burner case front	1	3318
109	Packing	1	3439 (SI)
110	Burner NG/LPG	22	3440 (SI)
111	Burner case back panel	1	3319
-	Combustion chamber front assy. (use parts 113 & 114)	1	-
113	Combustion chamber front plate	1	5326
114	Combustion chamber front plate packing	1	3443
115	Electrode	1	3445 (SI)
116	Front electrode	1	4916 (SI)
117	Electrode packing	1	3322
118	Electrode holder	1	3468 (SI)
121	Electrode sleeve	1	3475 (SI)
122	Solenoid valve cover	1	3323
123	Upper combustion chamber packing	1	3324
124	Lower combustion chamber packing	1	3325
125	Heat exchanger complete assembly	1	3326 (SI)
150	Fan motor assembly	1	2883 (SI)
151	Fan casing assembly	1	3346
153	Fan connecting bracket	1	3763
154	Fan connection packing	1	3482 (SI)
155	Bell mouth Ø 39	1	3937
704	Ignitor bracket	1	3952
705	Ignitor assembly	1	2886 (SI)
706	High tension lead	1	3651 (SI)
707	Ignitor cover	1	3953

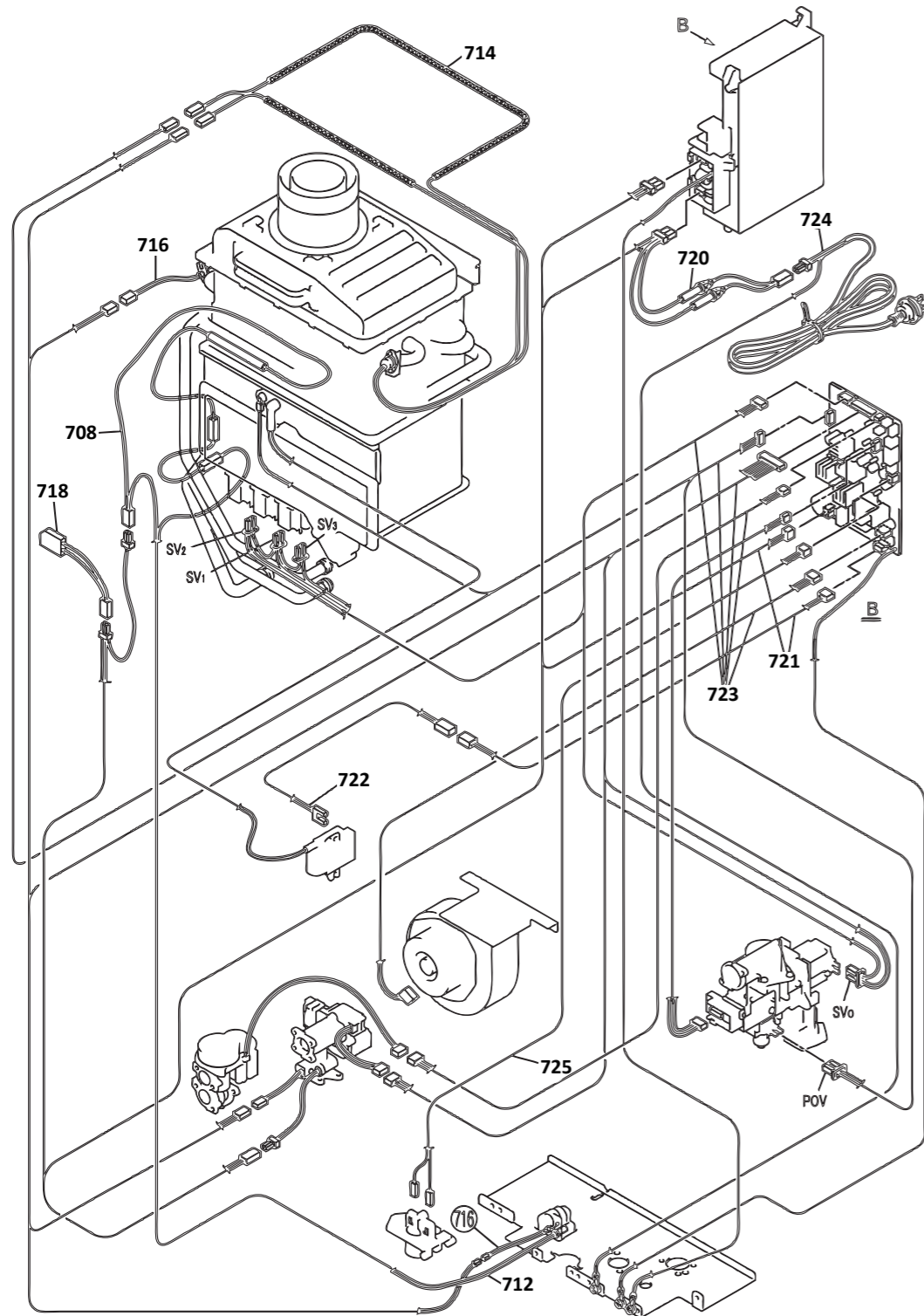
Ref.	Description	Qty.	Part No.
709	Clip heat exchanger	2	3891 (SI)
710	Heater fixing plate	1	2899
711	Anit frost heater cip	1	3536 (SI)
714	Thermal fuse harness	1	4753
715	Fuse clip	9	2869 (SI)
717	Thermistor clip	1	3882 (SI)
806	Tapping screw	1	2896
807	Screw	5	4768
808	Screw	2	2938
812	O-ring	3	3627 (SI)
814	O-ring	2	3826 (SI)

This diagram is provided to assist you to identify parts if replacement is necessary. Contact your place of purchase or the manufacturer to enquire about parts, availability and/or service.



Ref.	Description	Qty.	Part No.
SI = stocked item			
100	Gas connection	1	3074 (SI)
101	Test point screw c/w o-ring	1	15330
102	Gas control assembly	1	3312
400	Water inlet	1	2894
401	Plug band inlet	1	2927
402	Incoming water filter	1	3839 (SI)
405	Water servo & sensor (no valve heater)	1	2859 (SI)
405	Flow servo & sensor assembly (with valve heater)	1	5227
406	Balancer	1	3487 (SI)
407	Bypass servo assembly	1	3944
408	Stop bracket	2	3624 (SI)
409	Water flow servo cover	1	2871
410	Hot water outlet	1	3946
411	Plug band	1	3947
412	Pressure relief valve	1	3491 (SI)
413	Stop bracket	1	3948
700	PCB	1	3949
701	Surge protector	1	4930 (SI)
702	PCB front cover	1	3950
703	PCB side cover	1	3951
730	Status monitor bracket	1	4761
731	Status monitor assembly	1	2853
803	Washer	7	4764
809	Screw	3	4769
810	Thermistor stop screw	1	3241
811	Gas inlet o-ring	1	3837 (SI)
812	O-ring	3	3627 (SI)
813	O-ring	1	1244 (SI)
815	O-ring	1	1031 (SI)
816	O-ring	2	3832 (SI)
817	Packing	1	3521 (SI)
818	O-ring	1	2239 (SI)
822	Screw	4	4771
823	Screw	2	4772
824	Screw	3	4773

This diagram is provided to assist you to identify parts if replacement is necessary. Contact your place of purchase or the manufacturer to enquire about parts, availability and/or service.



Ref.	Description	Qty.	Part No.
SI = stocked item			
708	120 V Anti frost heater assembly	1	3954
712	230 V valve heater assembly	2	4752
714	Thermal fuse harness	1	4753
716	Thermistor	2	2884 (SI)
718	Frost sense switch	1	3358 (SI)
720	Fuse harness LPG (with heater)	1	4754
720	Fuse harness NG (no heater)	1	4755
721	220 V power supply harness	1	4757
722	220 V ignitor harness	1	4758
723	Sensor harness	1	4759
724	Power cord	1	3526 (SI)
725	Remote controller harness	1	2891

Not shown in exploded diagram

-	Remote control packing	1	3298
-	Duct bracket	2	3307
-	Flue outlet vent packing	1	3328
-	Flue outlet vent assembly	1	3329