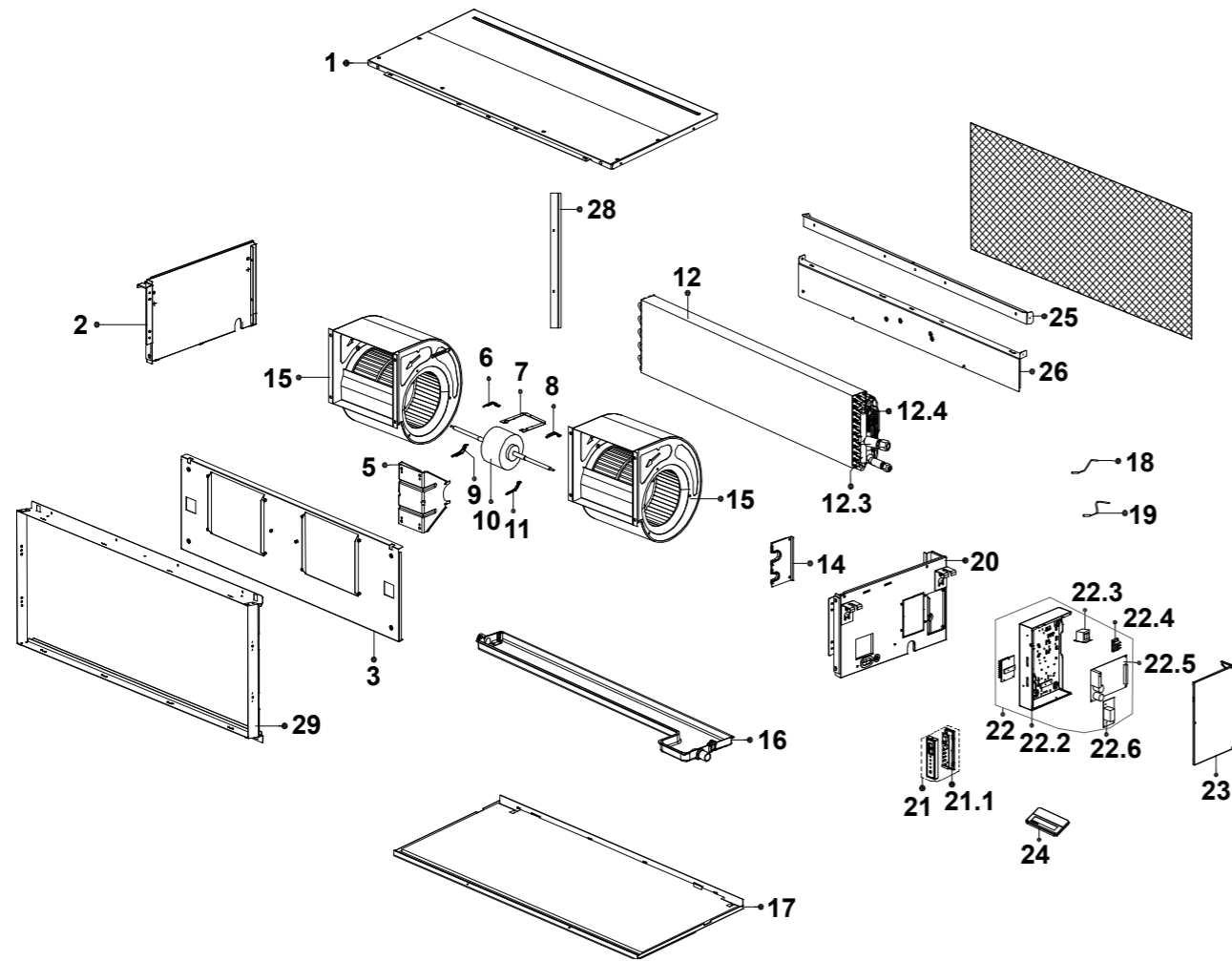
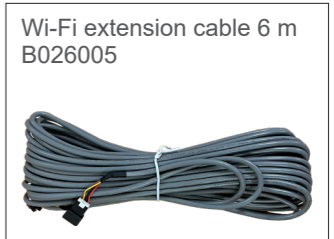


410a Ducted Heat Pump 14 kW indoor unit (DINLR14A12)

This diagram is provided to assist you to identify parts if replacement is necessary. Contact your place of purchase or the manufacturer to enquire about parts, availability and/or service.

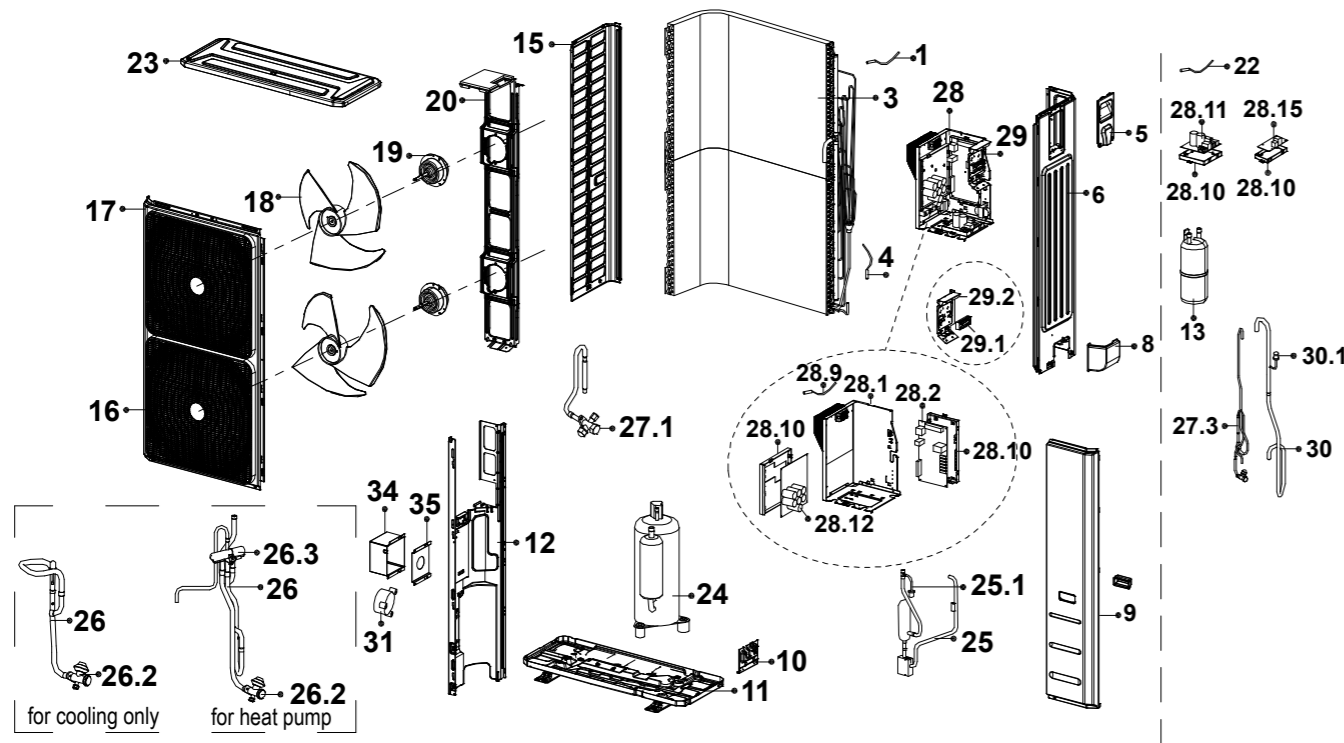


Ref.	Description (ID)		Part No.
1	Top cover assembly	12223000000221	-
2	Cabinet left side plate assembly	12223000000196	-
3	Front clapboard assembly	12223000000139	-
5	Fan motor support 12-14kW	12223000000560	14059
6	Fan motor cover left 12-14kW (top)	12223000000532	14060
7	Fan motor fixing board 12-14kW	12223000000535	14061
8	Fan motor cover right 12-14kW (top)	12223000000531	14062
9	Fan motor cover left 12-14kW (bottom)	12223000000530	14063
10	Indoor fan motor	11002015003861	84002285
11	Fan motor cover right 12-14kW (bottom)	12223000000529	14064
12	Evaporator assembly 14kW	158230000004606	14073
12.3	Evaporator outlet pipe sub-assembly	15123000000304	-
12.4	Evaporator inlet pipe sub-assembly	15123000001188	-
14	Pipe clamp board sub-assembly	122230000006867	-
15	Fan assembly	12200101000005	B061613
16	Water collector assembly	12123000000009	-
17	Chassis assembly	122230000000519	-
18	Room temperature sensor	11201007000060	84000025
19	Pipe temperature sensor	11201007000047	84000073
20	Right clapboard assembly	12223000A02849	-
21	PCB display	17223000000003	84000154
21.1	Display board assembly (without cover)	171230000002712	84000085
22	PCB main	172230000003716	84000172
22.2	Electronic control box	122230000008007	-
22.3	Transformer (reactor)	174003060000070	B061931
22.4	Wire joint	174004010000023	-
22.5	Duct main control board sub-assembly	171230000002992	-
22.6	Inverter control board sub-assembly	171220000027008	-
23	Electronic control box cover	17317100A28196	84000187
25	Flange board	122230000000474	-
26	Right clapboard assembly	122230000000461	-
28	Flange board	122230000000470	-
-	Drain pump	11001010000063	84000205
-	Pump washer	-	84000313
-	Water test cover	-	84000079
-	Drain pump washer	-	84000082
-	Water level sensor	11201005000006	84000010
-	Nut brass flare 3/8	-	15017
-	Nut brass flare 5/8	-	15019



410a Ducted Heat Pump 14 kW outdoor unit (DONSR14A12)

This diagram is provided to assist you to identify parts if replacement is necessary. Contact your place of purchase or the manufacturer to enquire about parts, availability and/or service.



Ref.	Description (ID)		Part No.
1	Room temperature sensor	11201007000039	84000028
3	Condenser assembly 14kW	15822000008313	14075
4	Pipe temperature sensor	11201007000047	84000019
5	Big handle assembly	12222000011086	-
6	Rear right clapboard assembly	12222000004215	-
8	Service valve cover 12-14kW	12122000014023	14065
9	Front right clapboard assembly	12222000006287	-
10	Valve plate	12222000002361	-
11	Chassis assembly	12222000006290	-
12	Partition board assembly	12222000005733	-
15	Left side plate assembly of cabinet	12222000002363	-
16	Air outlet grille 12-14kW	12222000014845	14066
17	Front panel 12-14kW	12222000007564	14067
18	Fan blade 12-14kW	12100105000022	14068
19	Brushless DC motor	11002015009825	84002259
20	Fan assembly support	12222000006288	-
22	Discharge temperature sensor	11201007003124	84000043
23	Top cover assembly	12222000002359	-

Ref.	Description (ID)		Part No.
24	Compressor 12-14kW	11103020002859	14072
25	Discharge pipe assembly	15123000008507	-
25.1	Pressure switch	17400516000020	B024231
26	4-way valve assembly	15423000002958	-
26.2	Gas valve	15500204000061	-
26.3	4-way valve	15500216000681	-
27	Liquid valve assembly	15422000015574	-
27.1	Liquid valve	15500208000286	-
27.3	Electronic expansion valve 12-14kW	15500213000245	14069
28	PCB control	172220000028869	84000115
28.1	Electric sub-assembly installation plate	12222000006289	-
28.2	Outdoor main control board sub-assy.	17122500001774	-
28.9	Discharge temperature sensor assy.	11201007000157	84000052
28.10	Electronic installing box	12122000014342	-
28.11	Outdoor main control board sub-assy. 12-14kW	17122000045666	14070
28.12	Inverter control board sub-assy. 12-14kW	171220000021908	14071
28.15	DR module box sub-assembly	17122000008137	-
29	Terminal board sub-assembly	17223000003116	-
29.1	Wire joint	17400401000085	-
29.2	Terminal installation sub-assy.	12222000012265	-
30	Suction pipe assembly	15123000008516	-
30.1	Pressure switch	17400516000008	B024194
31	PFC inductor	11201101000002	B061180
-	Heatsink temp. sensor	-	84000052
-	Pipe temp. sensor HONRA26-80	-	84000040
Refrigeration pipe connections			
-	Nut brass flare 3/8		15017
-	Nut brass flare 5/8		15019