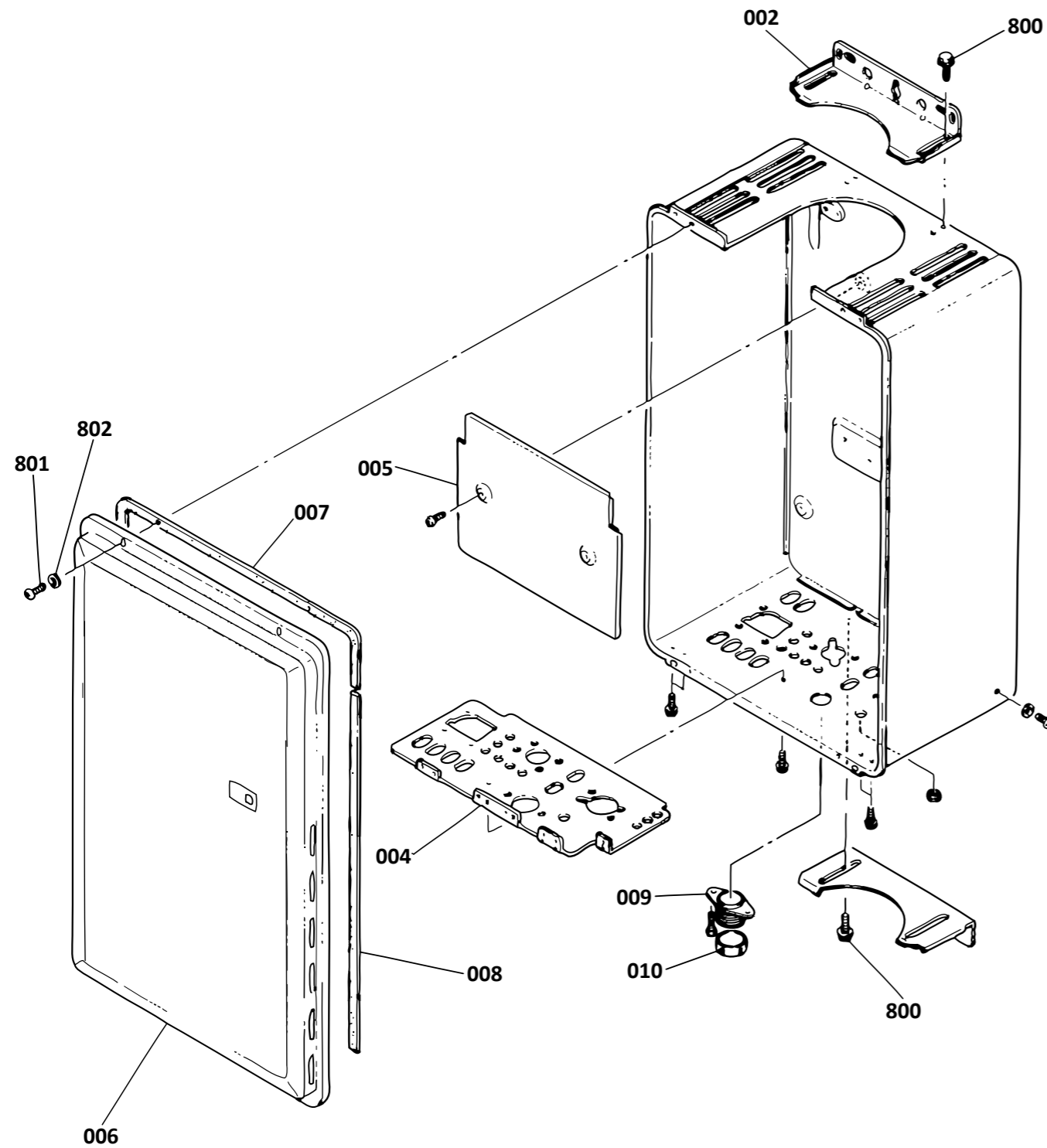


XR26i internal (REU-V2632FFUG)

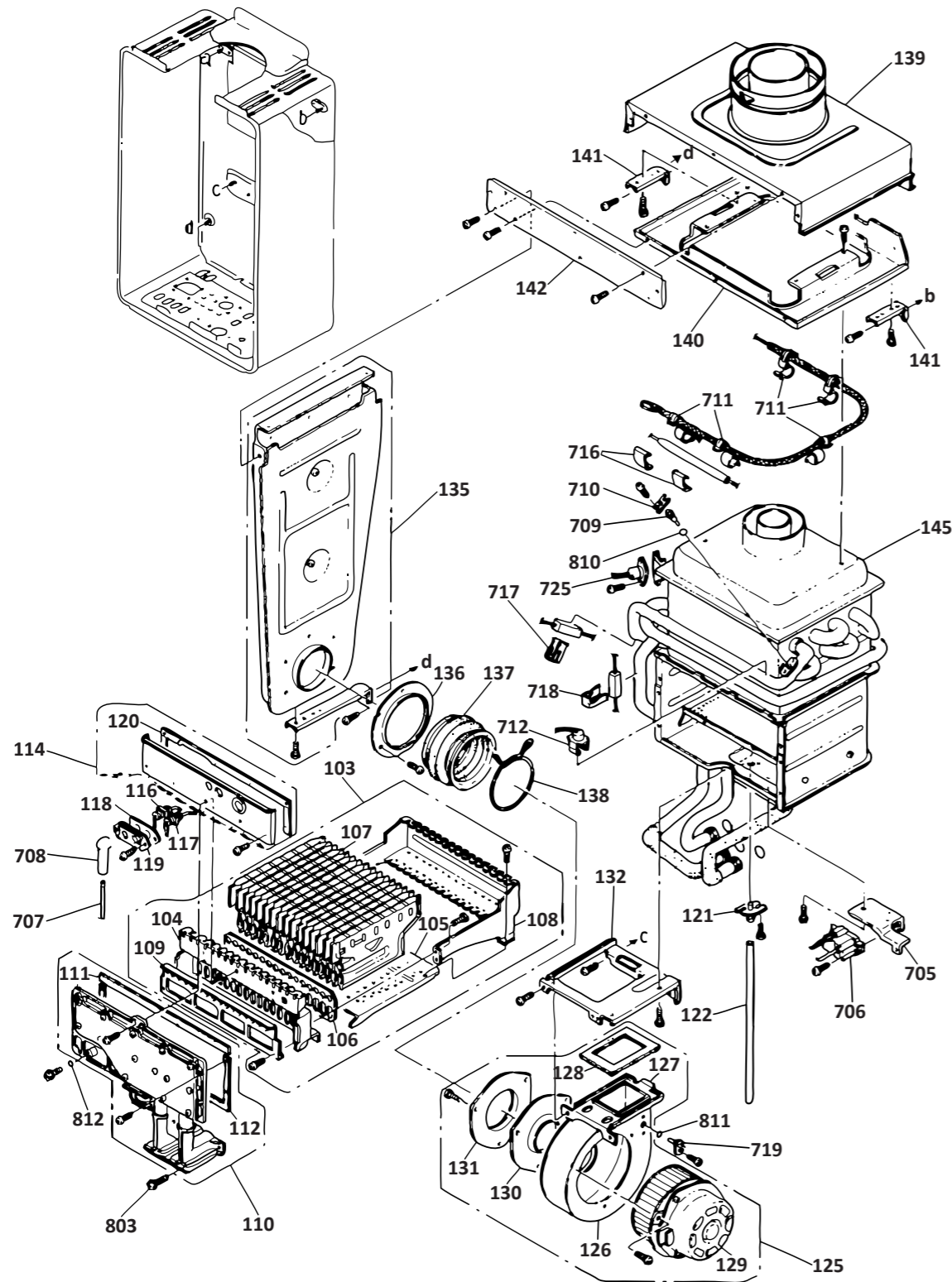
This diagram is provided to assist you to identify parts if replacement is necessary. Contact your place of purchase or the manufacturer to enquire about parts, availability and/or service.



Ref.	Description	Qty	Part No.
SI = stocked item			
002	Wall fitting bracket	1	3412 (SI)
004	Piping reinforcement	1	4917
005	Heat protection plate	1	4933 (SI)
006	Front panel assembly	1	4934
007	Front panel packing	1	3418 (SI)
008	Main body packing side	2	3807 (SI)
009	Cable connection	2	3896 (SI)
010	Cable seal packing	2	2928
800	Hexagon FT screw	8	4766
801	Truss screw	3	5242
801	Screw	1	5243
802	Resin washer	3	4762
Not shown in exploded diagram			
-	Quick control connection assy.	1	3310 (SI)
-	Quick connection bracket	1	3311

XR26i internal (REU-V2632FFUG)

This diagram is provided to assist you to identify parts if replacement is necessary. Contact your place of purchase or the manufacturer to enquire about parts, availability and/or service.

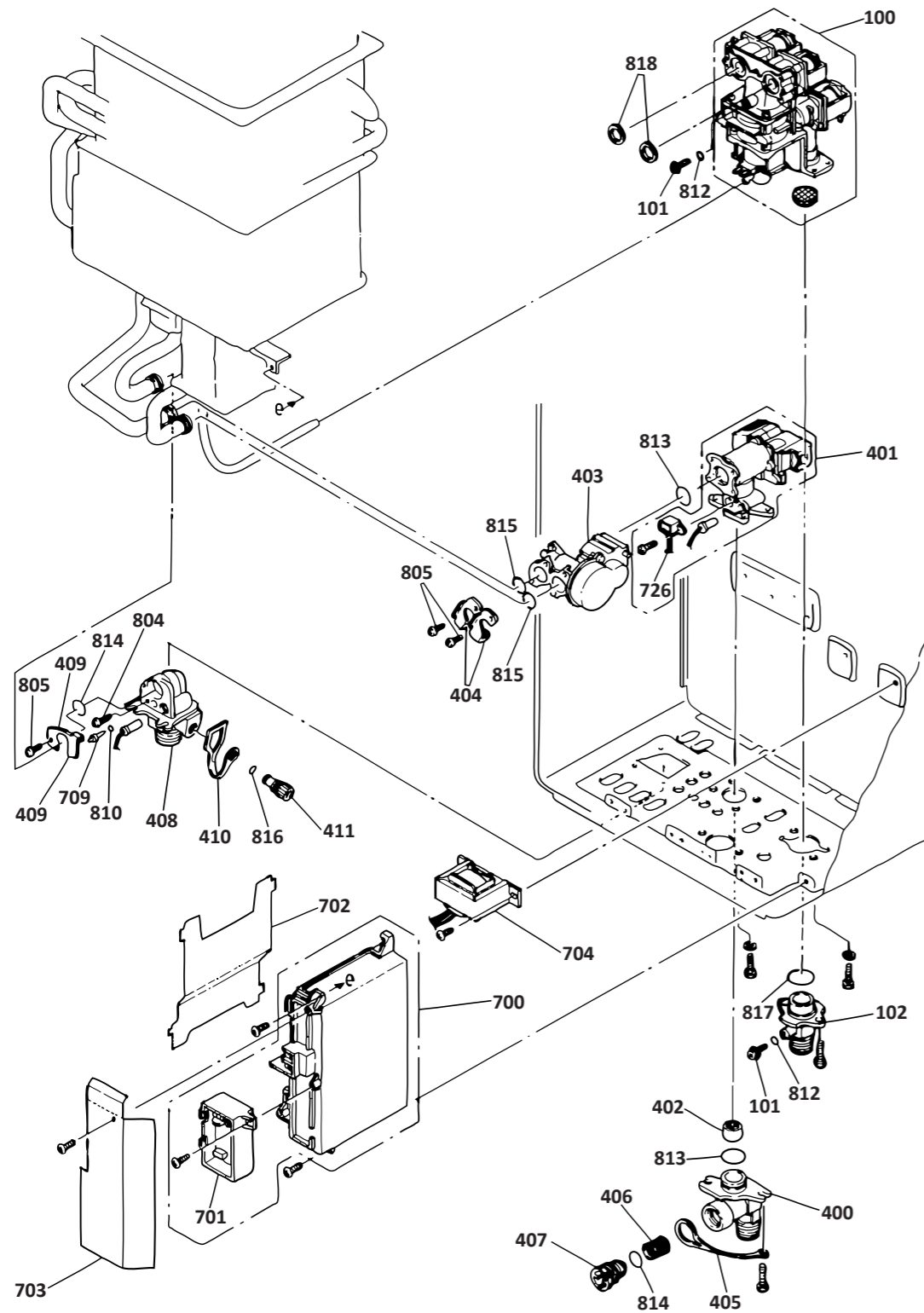


Ref.	Description	Qty.	Part No.
SI = stocked item			
103	24-burner unit assembly NG	1	3566 (SI)
103	24-burner unit assembly LPG	1	5337 (SI)
104	U-burner case front panel	1	4937
105	24-burner case bottom panel	1	4938
106	Packing	1	4939
107	Lean and rich burner NG/LPG	16	3440 (SI)
108	Burner case back panel	1	4940
109	24-damper NG	1	5267 (SI)
109	24-damper LPG	1	3567 (SI)
110	Manifold assembly LPG	1	4941 (SI)
110	Manifold assembly NG	1	4942 (SI)
111	Combustion chamber packing	1	3589 (SI)
112	24-combustion chamber packing	1	3597 (SI)
114	Combustion chamber front	1	4943
116	Electrode	1	3445 (SI)
117	Flame rod	1	3464 (SI)
118	Electrode packing	1	3465 (SI)
119	Electrode holder packing	1	3468 (SI)
120	Combustion chamber packing	1	3600 (SI)
121	Back pressure joint	1	3604 (SI)
122	Pressure switch tube C	1	4945
125	Fan assembly	1	4946 (SI)
126	Fan casing assembly	1	4947 (SI)
127	Fan connecting bracket	1	4948 (SI)
128	Fan connecting bracket packing	1	2669 (SI)
129	Fan motor assembly	1	3605 (SI)
130	Bell mouth	1	4949
131	Joint fixing pipe	1	5215
132	Combustion chamber bracket	1	5216
135	Air inlet box assembly	1	5217 (SI)
136	Joint bracket	1	5218
137	Connecting joint	1	5219
138	Joint fixing bracket	1	5220
139	Air inlet duct assembly	1	5221 (SI)
140	Joint exhaust tube frame	1	4929

Ref.	Description	Qty.	Part No.
141	Joint exhaust tube frame support	2	5223 (SI)
142	Air inlet box lid	1	4976
145	Heat exchanger assembly	1	5225 (SI)
145	Heat exchanger high acidity assembly	1	5211 (SI)
705	PCB fixing plate	1	5231
706	Ignitor assembly	1	2886 (SI)
707	High tension lead	1	5232
708	Electrode sleeve	1	3475 (SI)
709	Thermistor	1	2884 (SI)
709	Thermistor 2	1	2885 (SI)
710	Thermistor clip	1	3882 (SI)
711	Temperature fuse fixing	5	3659 (SI)
712	Frost sensing switch	1	3675 (SI)
716	Heat exchanger clip	2	3891 (SI)
717	Clip pipe 2-sided	1	3917 (SI)
718	Heater clip	1	2899 (SI)
719	Inlet air thermistor	1	5234
803	Screw	3	2938
811	O-ring (P3)	1	2974 (SI)
812	O-ring	3	2239 (SI)

XR26i internal (REU-V2632FFUG)

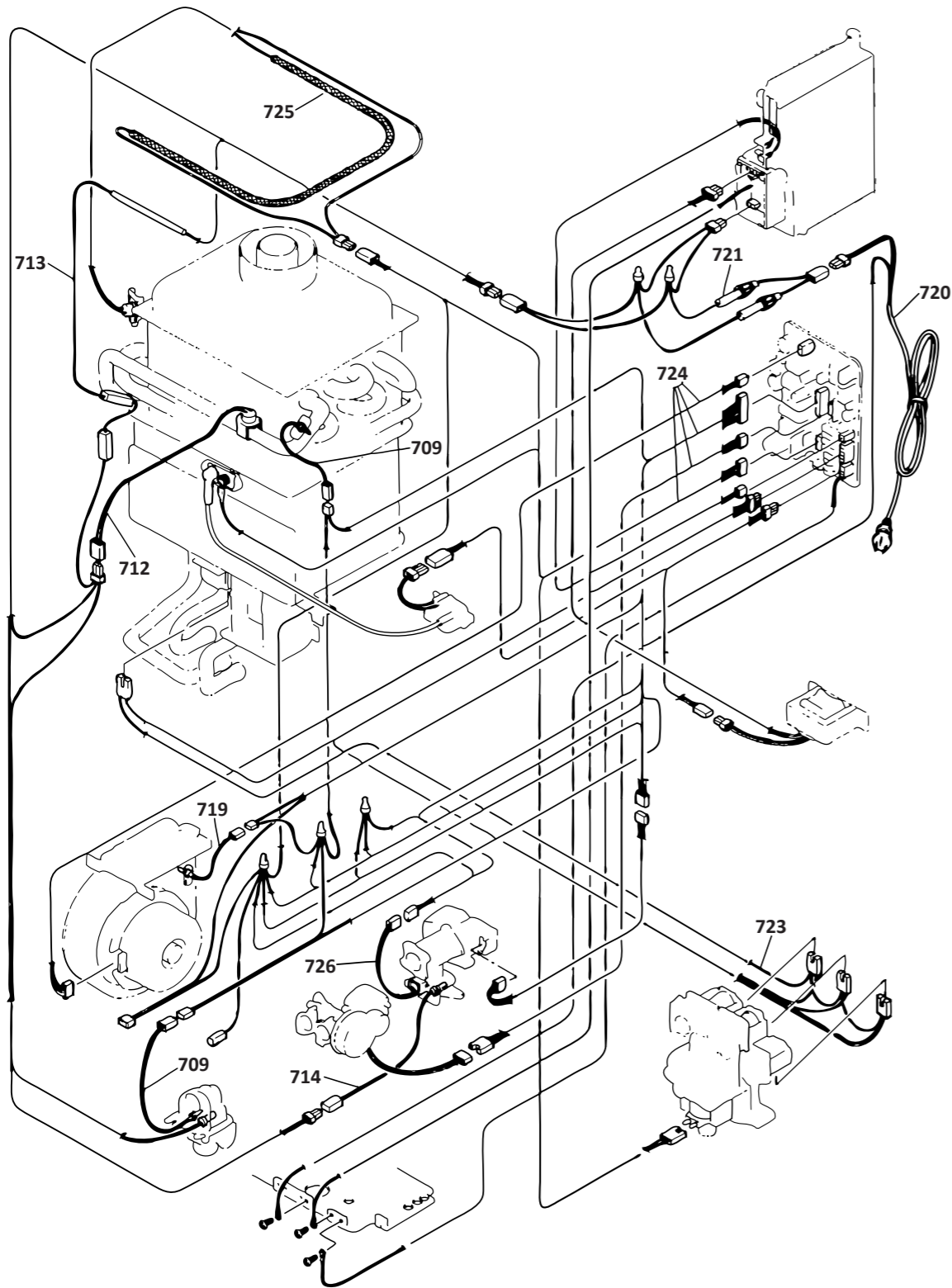
This diagram is provided to assist you to identify parts if replacement is necessary. Contact your place of purchase or the manufacturer to enquire about parts, availability and/or service.



Ref.	Description	Qty	Part No.
SI = stocked item			
100	Gas control	1	4936 (SI)
101	Test point screw	3	3564 (SI)
102	Gas connection	1	3074 (SI)
400	Inlet water $\frac{3}{4}$	1	2894
401	Water flow servo and sensor (no heat)	1	5226 (SI)
401	Water flow servo and sensor (with heat)	1	5227 (SI)
402	Balancer	1	3487 (SI)
403	By-pass servo assembly	1	3944 (SI)
404	Stop bracket	2	3624 (SI)
405	Plug band inlet	1	2927
406	Incoming water filter	1	3839 (SI)
408	Hot water connector $\frac{3}{4}$	1	3625 (SI)
409	Stop bracket	1	3645 (SI)
410	Plug band hot water	1	2626
411	Valve	1	3491 (SI)
700	PCB assy	1	5229 (SI)
701	Surge protector	1	4930 (SI)
702	PCB cover	1	5230
703	EC cover	1	3950
704	Transformer	1	3648
726	MR sensor	1	5239
804	Thermistor stop screw	1	3241
805	Screw	3	5244
810	O-ring (P-4)	2	3832 (SI)
812	O-ring (S-4)	3	2239 (SI)
813	O-ring (P-18)	2	3627 (SI)
814	O-ring (P-16)	2	1244 (SI)
815	O-ring (P-14)	2	3826 (SI)
816	O-ring (P-7)	1	1031 (SI)
817	O-ring (P-24)	1	3837 (SI)
818	Gasket	2	3773 (SI)

XR26i internal (REU-V2632FFUG)

This diagram is provided to assist you to identify parts if replacement is necessary. Contact your place of purchase or the manufacturer to enquire about parts, availability and/or service.



Ref.	Description	Qty	Part No.
709	Thermistor	1	2884 (SI)
709	Thermistor 2	1	2885 (SI)
712	Frost sense switch	1	3675 (SI)
713	Anti frost heater 230 V	1	5233 (SI)
714	Valve heater assembly 230 V	1	4752 (SI)
719	Air thermistor	1	5234
720	Power cord	1	3526 (SI)
721	Fuse harness	1	5235
723	Magnet valve harness	1	5236
724	Sensor harness	1	5237
725	Thermal fuse and relay harness	1	3770 (SI)
726	MR sensor	1	5239
Not shown in exploded diagram			
-	Ignitor harness	1	5240
-	Power harness	1	5241
-	Remote controller harness	1	2891