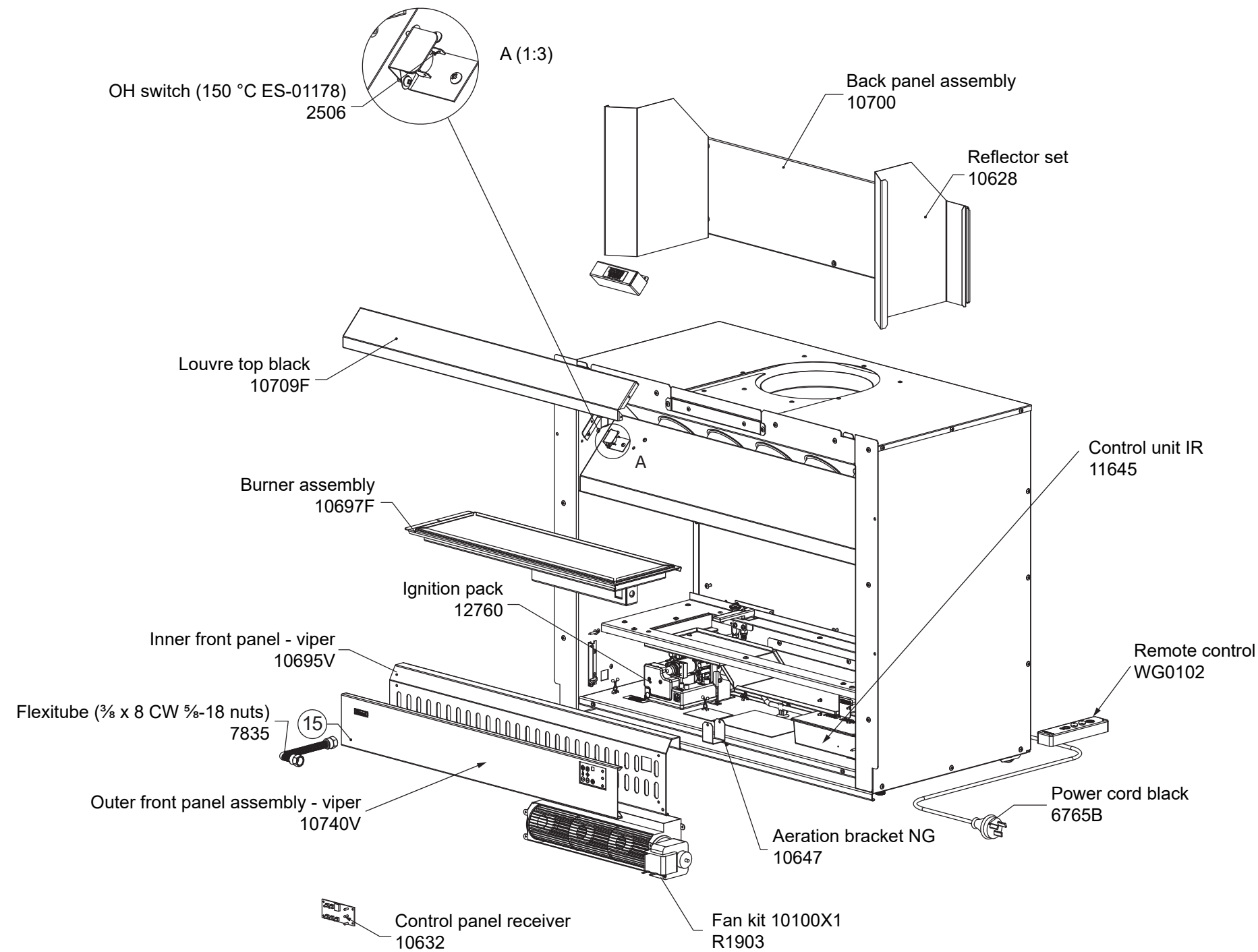


This diagram is provided to assist you to identify parts if replacement is necessary. Contact your place of purchase or the manufacturer to enquire about parts, availability and/or service.



Parts not shown in exploded diagram	
Description	Part No.
Harness (MVL fan two SP W earth)	10300
Cable CAT5 x 500 mm	10631
Wiring harness main (for units with serial no. up to 10191 11/10)	10640
Wiring harness main IR control (for units with serial no. from and including 10191 11/10)	11657
Ignition lead	10644
Flame rod lead	10645
Harness OH switch	10654
OH switch adaptor RDV3610 IBO	11594
Accessories	
Black touch-up spray paint	R1885
Spacer (also known as the spider—connects the flue and gas cowl)	R2311
Lumina 800 stainless steel fascia	R2810
Lumina 800 black fascia	R2811
Granule pack (common to all fires)	2544

## Lumina 800 (IBOF800) gas fireplace

This diagram is provided to assist you to identify parts if replacement is necessary. Contact your place of purchase or the manufacturer to enquire about parts, availability and/or service.

