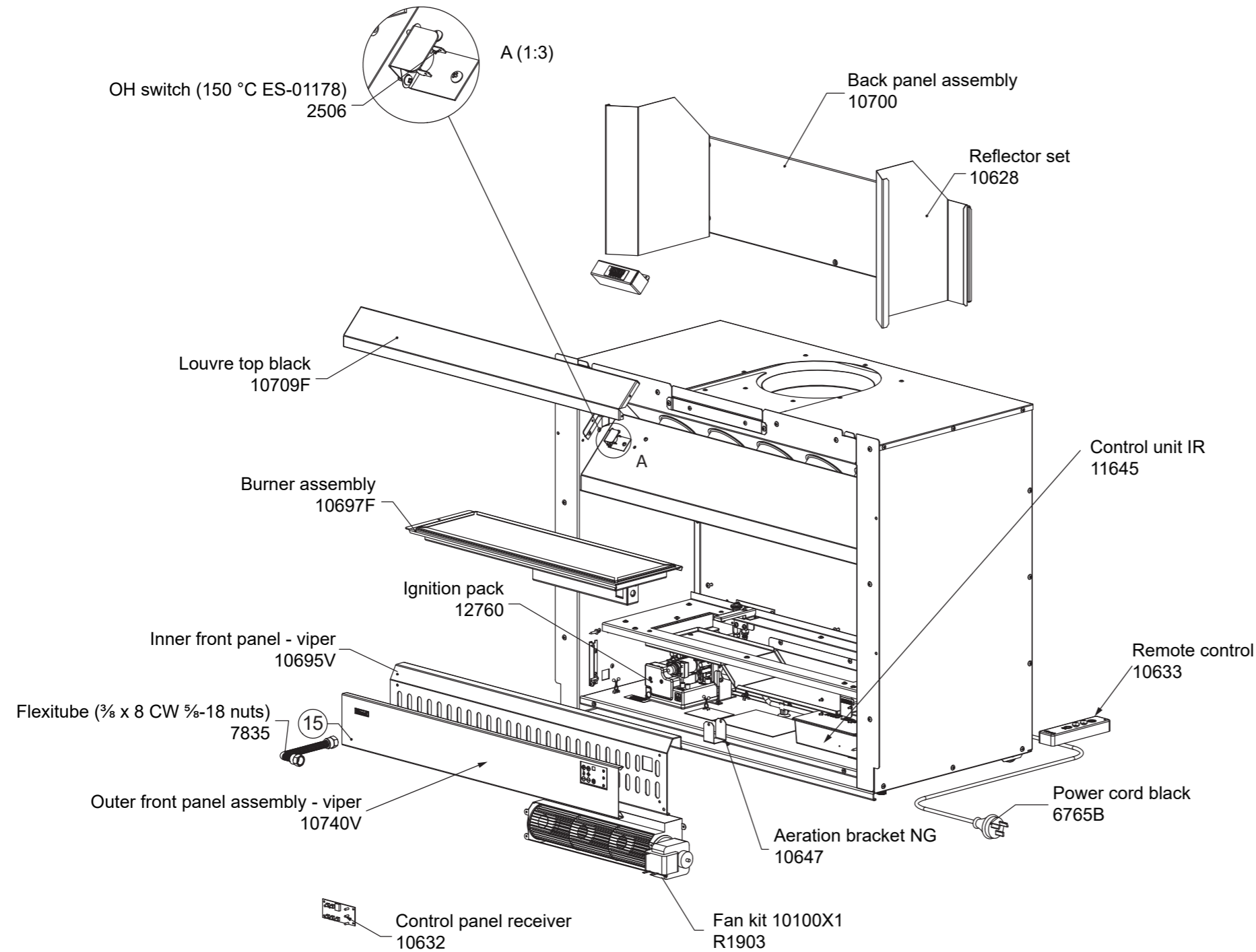


This diagram is provided to assist you to identify parts if replacement is necessary. Contact your place of purchase or the manufacturer to enquire about parts, availability and/or service.



| Parts not shown in exploded diagram | |
|---|----------|
| Description | Part No. |
| Harness (MVL fan two SP W earth) | 10300 |
| Cable CAT5 x 500 mm | 10631 |
| Wiring harness main (for units with serial no. up to 10191 11/10) | 10640 |
| Wiring harness main IR control (for units with serial no. from and including 10191 11/10) | 11657 |
| Ignition lead | 10644 |
| Flame rod lead | 10645 |
| Harness OH switch | 10654 |
| OH switch adaptor RDV3610 IBO | 11594 |
| Accessories | |
| Black touch-up spray paint | R1885 |
| Spacer (also known as the spider—connects the flue and gas cowl) | R2311 |
| Lumina 800 stainless steel fascia | R2810 |
| Lumina 800 black fascia | R2811 |
| Granule pack (common to all fires) | 2544 |

