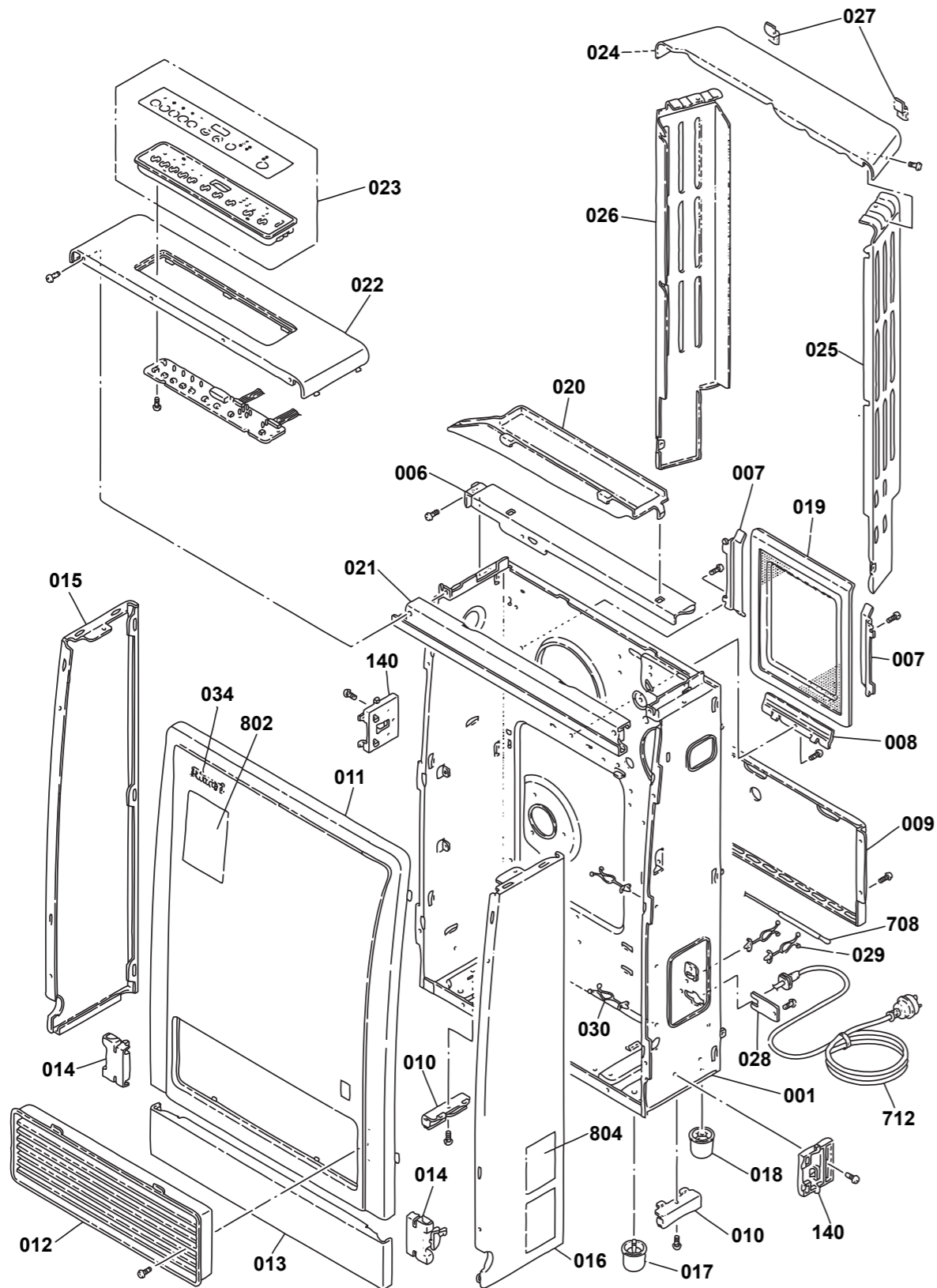
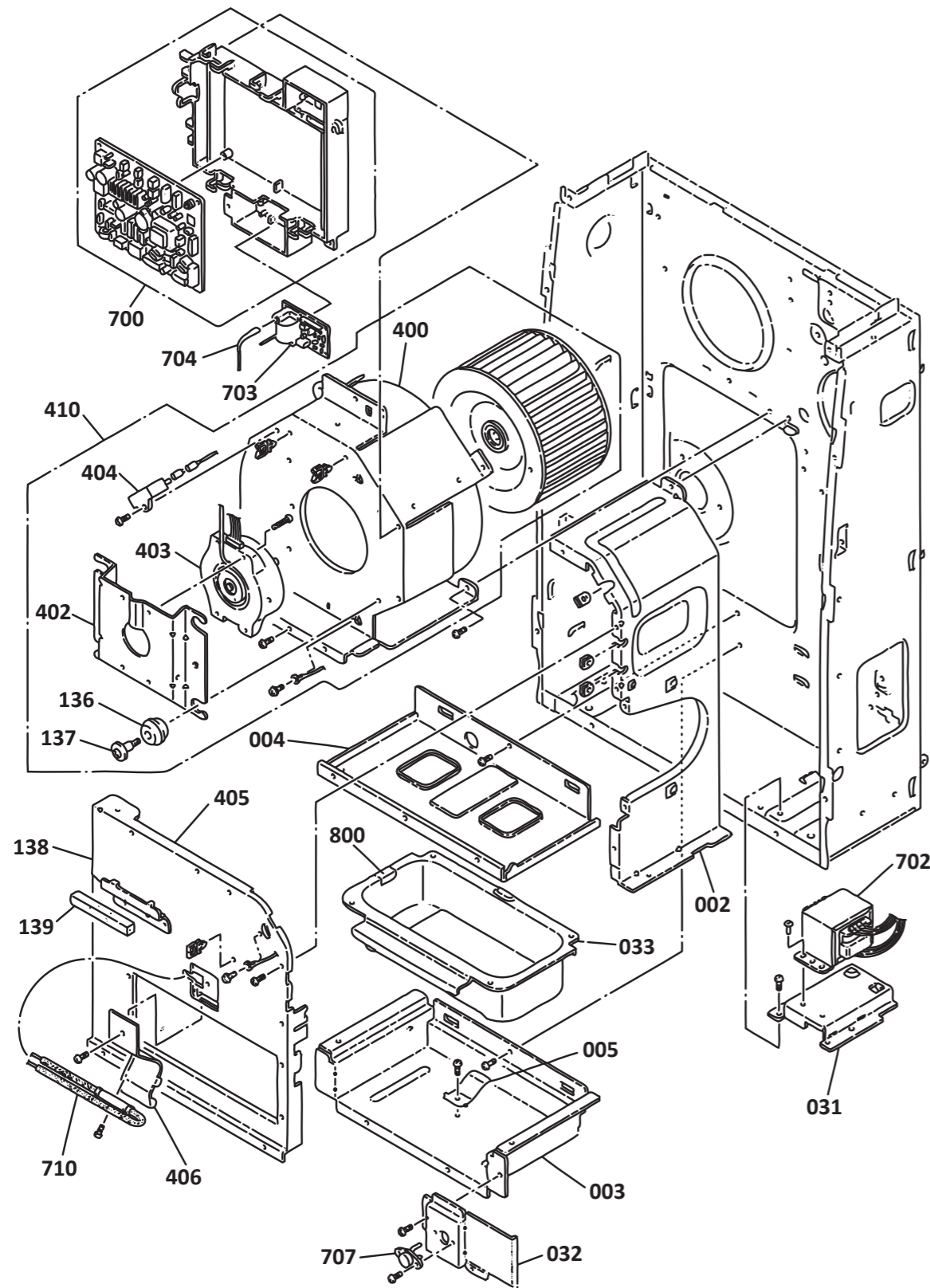


This diagram is provided to assist you to identify parts if replacement is necessary. Contact your place of purchase or the manufacturer to enquire about parts, availability and/or service.



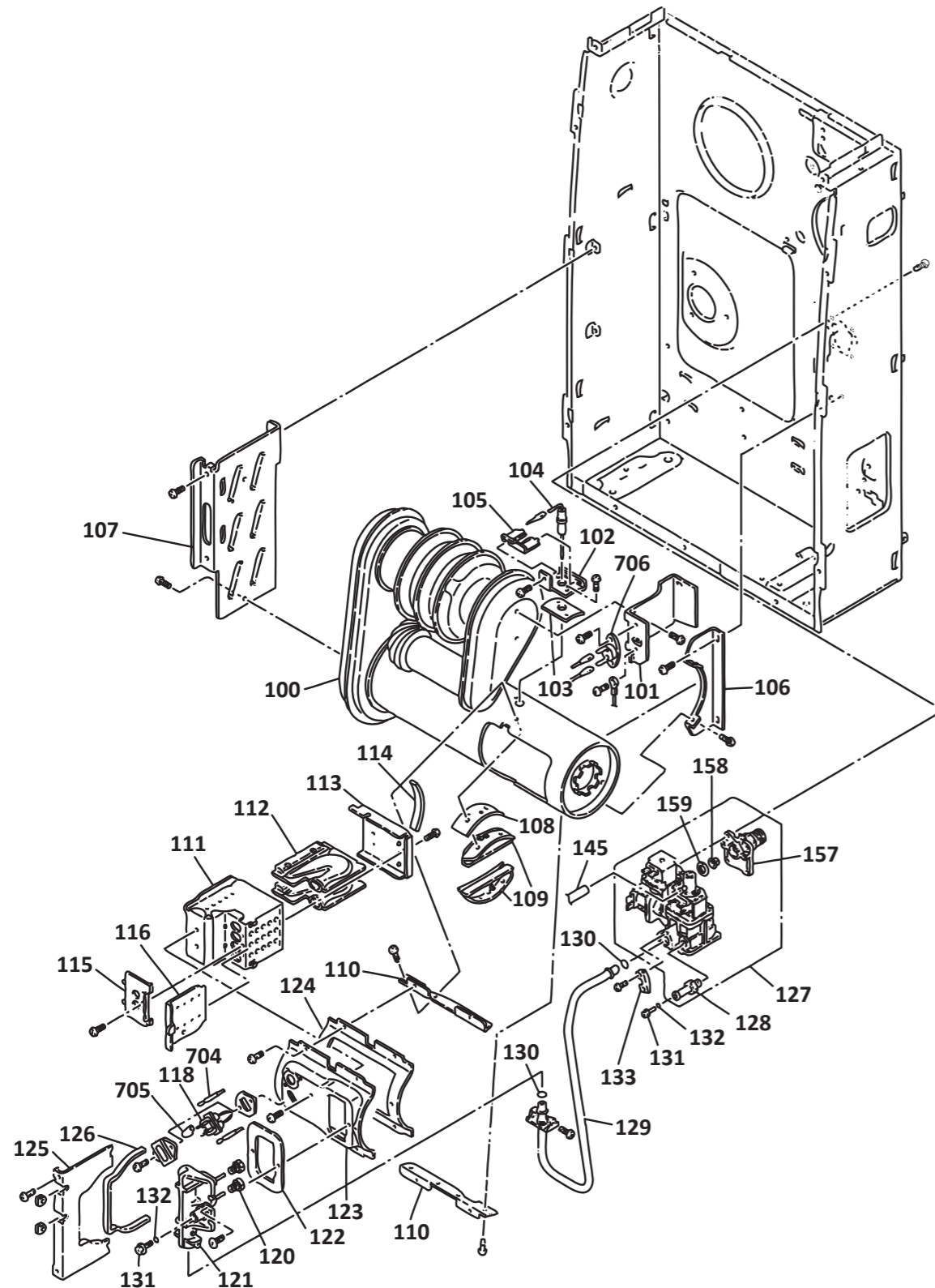
Ref.	Description	Qty.	Part No.
001	Rear panel assembly	1	5359
006	Convection fan bracket	1	5365
007	Air filter support - side	2	4001
008	Air filter support - lower	1	4002
009	Heat shield panel	1	5366
010	Floor fixing bracket	2	3541
011	Front panel	1	5367
012	Louvre assembly	1	5368
013	Lower front cover	1	5369
014	Lock A	2	5370
015	Side panel LH	1	5371
016	Side panel RH	1	5372
017	Front leg	2	3403
018	Back leg	2	3405
019	Air filter assembly	1	5373
020	Cover	1	5374
021	Top panel support	1	5379
022	Top panel	1	5380
023	Control panel assembly	1	5381
024	Back spacer top	1	5385
025	Back spacer RH	1	5386
026	Back spacer LH	1	5387
027	Clip	2	6684
028	Power supply cord bracket	1	5390
029	Cable clip	2	5391
030	Cable clip	3	5393
034	Rinnai logo	1	5396
140	Lock bracket	2	5444
708	Room thermistor assembly	1	5468
712	Power supply cord	1	5474

This diagram is provided to assist you to identify parts if replacement is necessary. Contact your place of purchase or the manufacturer to enquire about parts, availability and/or service.



Ref.	Description	Qty.	Part No.
002	Frame Center	1	5360
003	Bottom plate support	1	5361
004	Bottom plate upper partition	1	5362
005	Humidifier tray fixing plate	1	5363
031	Transformer bracket	1	5394
032	OHS no.2 bracket	1	5395
033	Humidifier tray	1	3554
136	Cushion rubber	7	4364
137	Screw for fan combustion	7	10291
138	Front panel fixer	1	5442
139	Front panel packing	1	5443
400	Convection fan casing assembly	1	5456
402	Motor base	1	5457
403	Convection fan motor assembly	1	5458
404	Capacitor	1	3107
405	Heat shield board assembly	1	5459
406	TF fixing plate	1	5460
410	Convection fan assembly	1	5462
700	PCB assembly	1	5463
702	Transformer	1	5465
703	Ignitor	1	13006
704	High tension lead	1	5467
707	Overheat switch	1	4384
710	Thermal fuse harness	1	13011
800	Water line label	1	5556

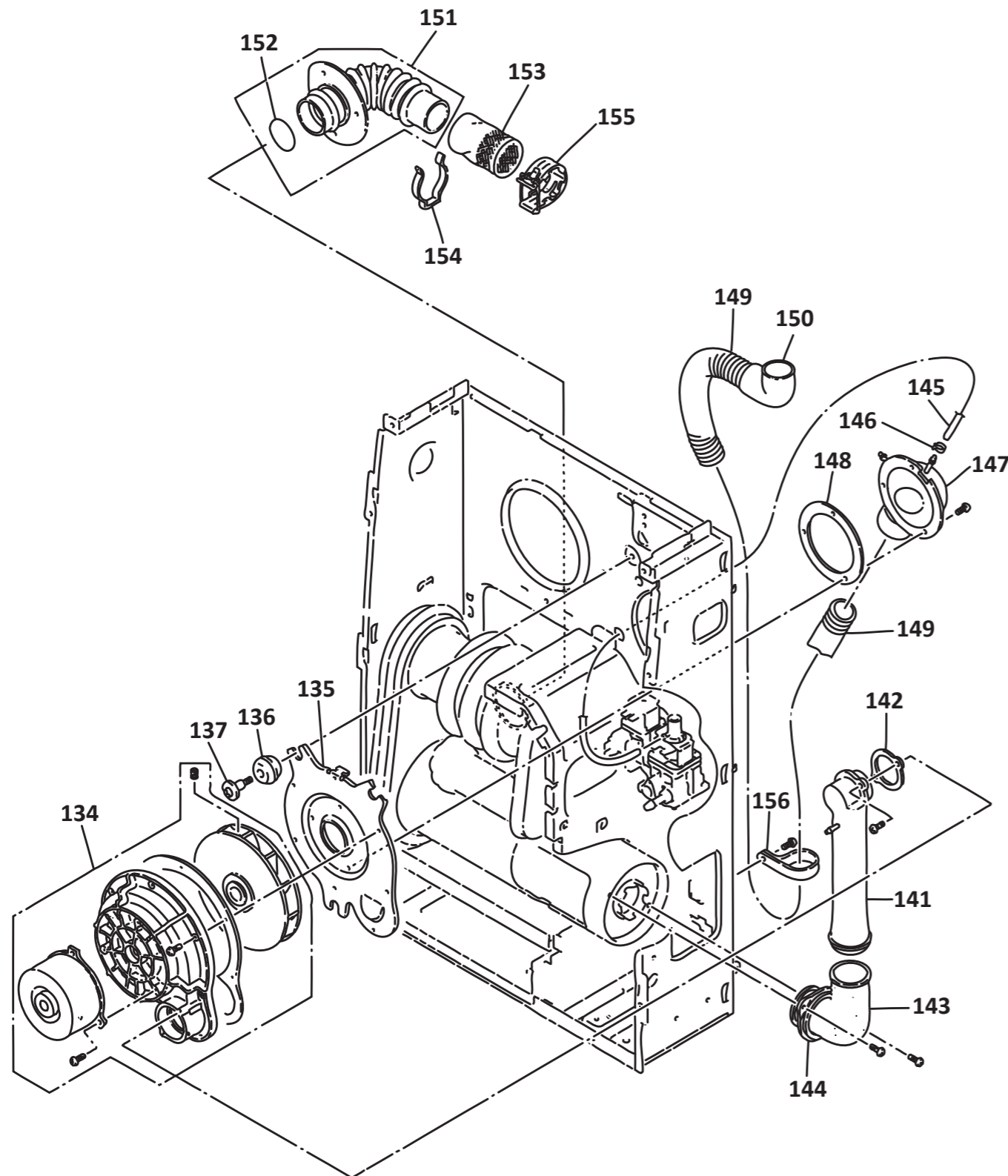
This diagram is provided to assist you to identify parts if replacement is necessary. Contact your place of purchase or the manufacturer to enquire about parts, availability and/or service.



Ref.	Description	Qty.	Part No.
100	Heat exchanger assembly	1	5397
101	OHS fixer	1	5398
102	Flame rod bracket	1	5400
103	Flame rod packing	1	4230
104	Flame rod	1	5408
105	Flame rod retainer	1	5409
106	Combustion chamber fixer	1	5410
107	Fixing plate	1	5411
108	Seal plate packing	1	5412
109	Seal plate B	2	5413
110	Flange board	2	5414
111	Burner box assembly	1	5415
112	Burner	2	3091
113	Burner box support assy.	1	5416
114	Burner box packing	1	4231
115	Primary air damper	1	3588
116	Secondary air damper NG	1	3594
116	Secondary air damper LPG	1	3593
118	Electrode kit	1	R1345
120	Injector LPG	2	3093
120	Injector NG	2	5420
121	Manifold	1	5427
122	Manifold packing	1	5428
123	Burner box fitting plate	1	5429
124	Fitting plate packing	1	5430
125	Warm air seal panel	1	5432
126	Heat exchanger packing	1	4306
127	Gas control assembly	1	5433
128	Pressure point	1	5657
129	Inter-connection assembly	1	5437
130	O-ring M10B-1-10	2	2389
131	Pressure point screw	2	3564
132	O-ring	2	2239

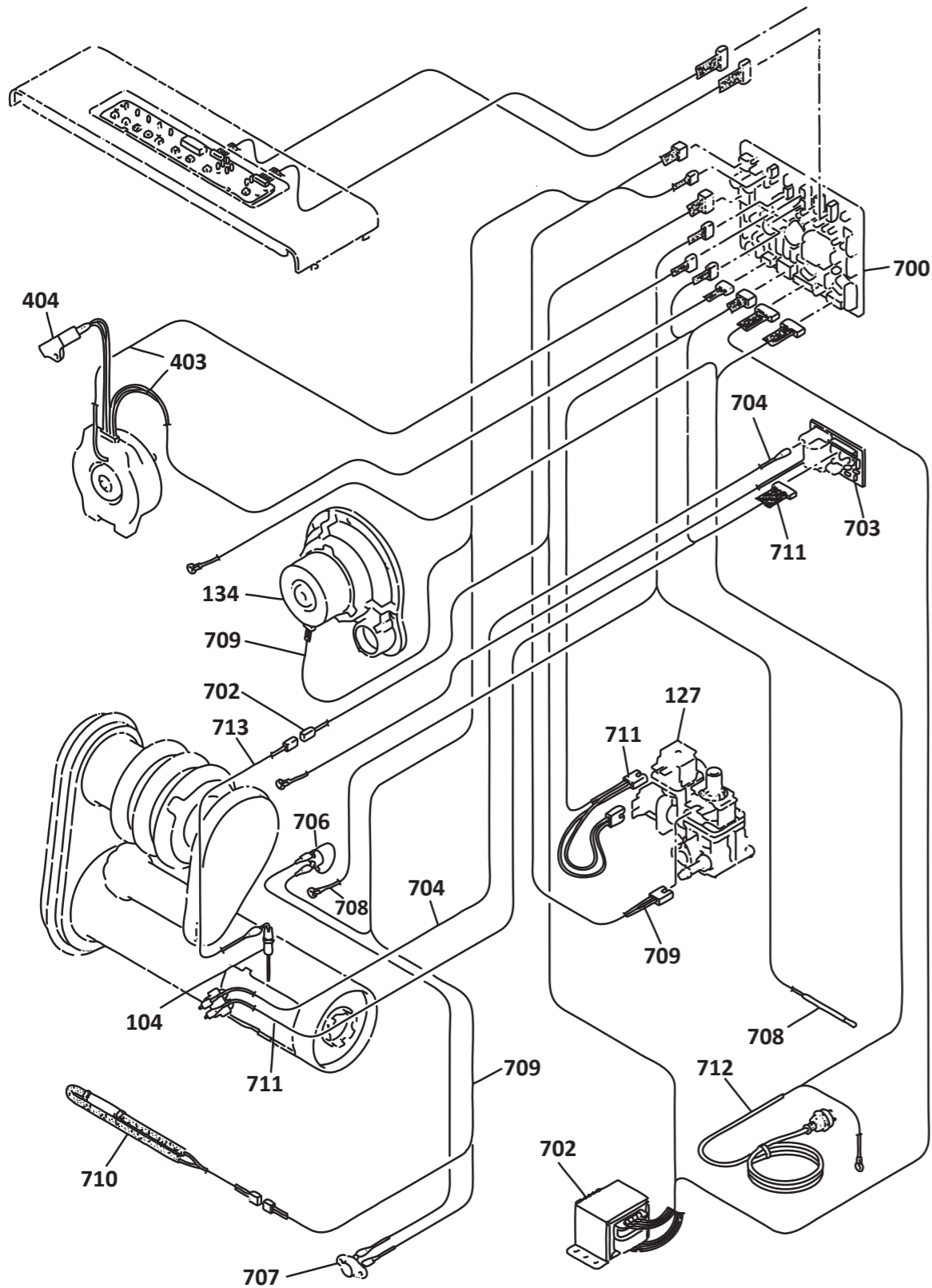
Ref.	Description	Qty.	Part No.
133	Connecting tube retainer	1	5438
145	Tube E	1	5449
157	Gas inlet	1	4360
158	Gas filter	1	13019
159	Packing	1	10290
704	High tension lead	1	5467
705	Sleeve	1	3395
706	Overheat switch	1	4385

This diagram is provided to assist you to identify parts if replacement is necessary. Contact your place of purchase or the manufacturer to enquire about parts, availability and/or service.



Ref.	Description	Qty.	Part No.
134	Combustion fan motor assembly	1	5439
135	Combustion fan motor bracket	1	5441
136	Cushion rubber	7	4364
137	Screw for fan combustion	7	10291
141	Air inlet tube	1	5445
142	Air inlet packing	1	5446
143	Combustion chamber connection	1	5447
144	Connecting tube fixer	1	5448
145	Tube E	1	5449
146	Clip hose 8 mm	1	10495
147	Air inlet A	1	5451
148	Air inlet packing	1	4053
149	Air intake hose	1	4041
150	Air inlet elbow	1	4040
151	Exhaust elbow	1	5454
152	O-ring E	1	4037
153	Cover	1	2972
154	Ring	1	4171
155	Pipe stop assembly	1	3455
156	Clamp	2	4373
-	Energysaver flue fittings kit	1	3112

This diagram is provided to assist you to identify parts if replacement is necessary. Contact your place of purchase or the manufacturer to enquire about parts, availability and/or service.



Ref.	Description	Qty.	Part No.
104	Flame rod	1	5408
127	Gas control assembly	1	5433
134	Combustion fan motor assembly	1	5439
403	Convection motor assembly	1	5458
700	PCB assembly	1	5463
702	Transformer	1	5465
703	Ignitor	1	5466
704	High tension lead	1	5467
706	Overheat switch A	1	4385
707	Overheat switch B	1	4385
708	Room thermistor assembly	1	5468
709	Motor harness	1	5471
710	TF harness	1	5472
711	SV IG harness	1	5473
713	FR lead	1	4398