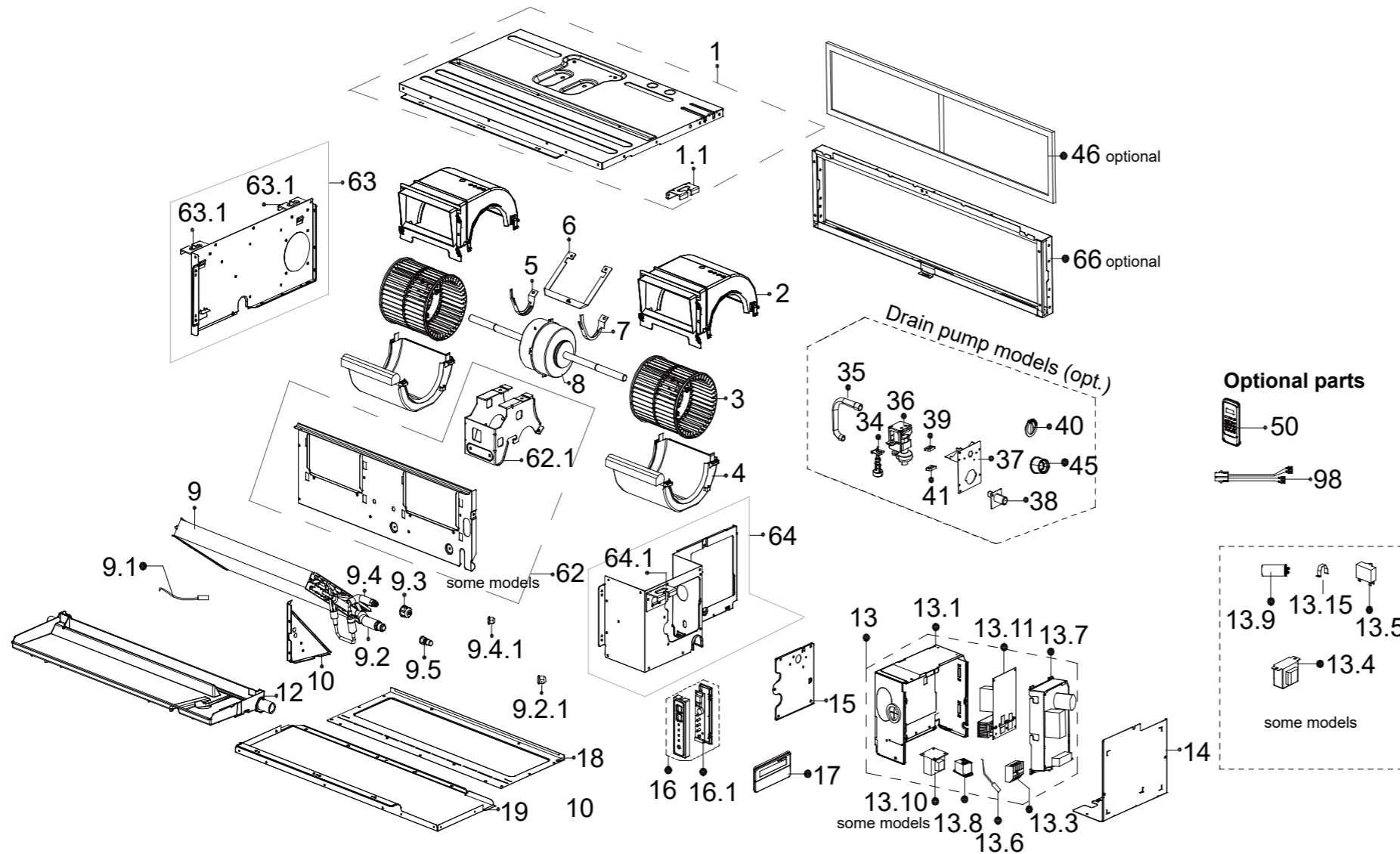


This diagram is provided to assist you to identify parts if replacement is necessary. Contact your place of purchase or the manufacturer to enquire about parts, availability and/or service.



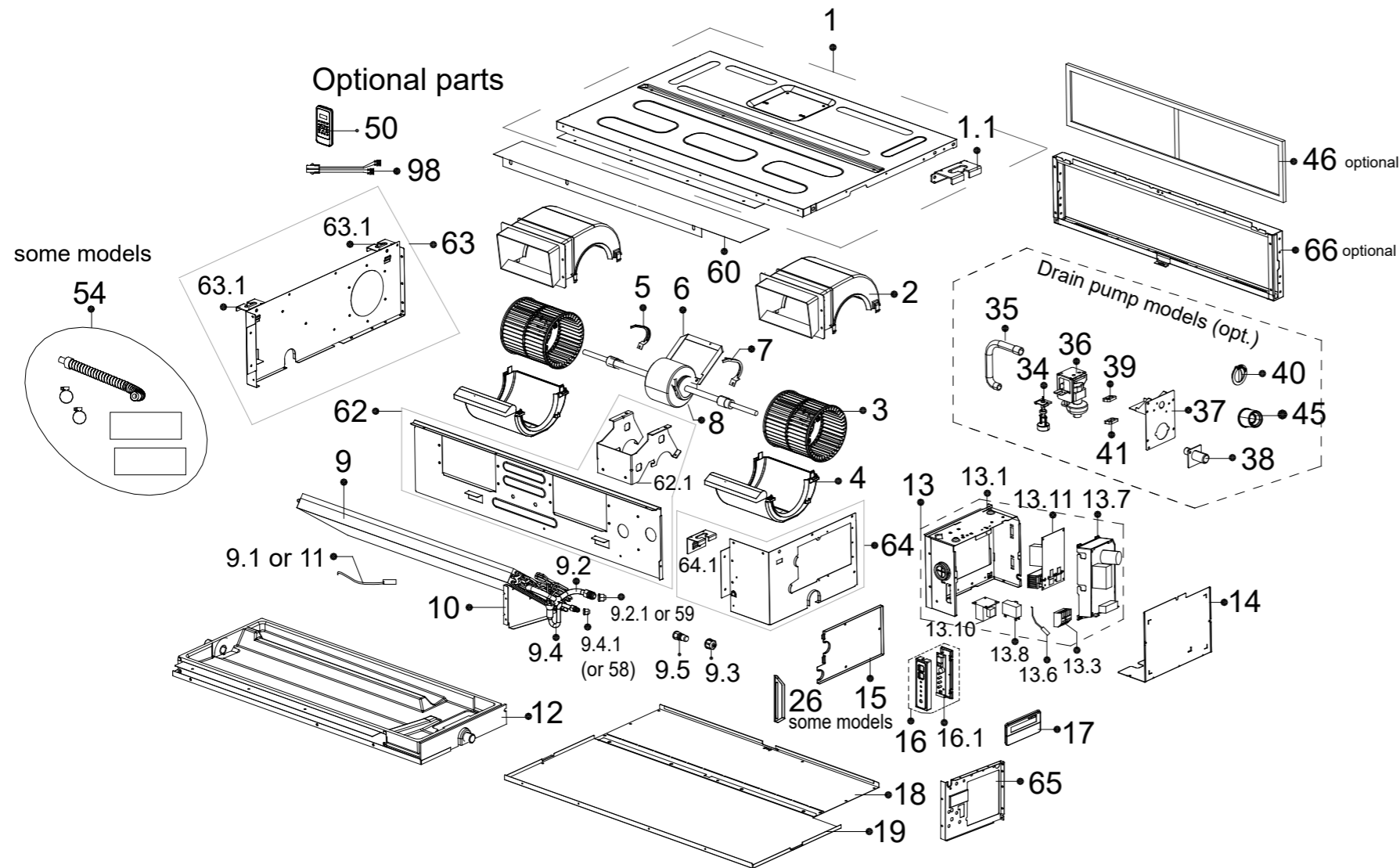
Ref.	Description (ID)	Part No.
1	Chassis assembly	12223000010324
1.1	Hook	12223000012926
2	Top volute sub-assembly	12123000001180
3	Centrifuge fan	12100103000804
4	Lower volute sub-assembly	12123000002303
5	Fan motor axes clamp (left)	12222500000253
6	Fan motor fixing board	12223000010427
7	Cover	12222500000255
8	Brushless DC motor	11002015008306 14152

Ref.	Description (ID)	Part No.
9	Evaporator assembly	15823000004321
9.1	Pipe temperature sensor	11201007002320 14158
9.2	Evaporator outlet pipe sub-assy	15123000010747
9.3	Pipe nut	15500404000002
9.4	Evaporator inlet pipe sub-assy	15123000010589
9.5	Pin valve	15500209000001
10	Evaporator right support board sub-assy	12223000A04010
12	Water collector	12123000002483
12.1	Rubber plug	12600801000883

Ref.	Description	Part No.
13	E-parts box assembly	17223000A07298
13.1	Electronic control box	12223000010447
13.3	Wire joint	17400401000080
13.6	Room temperature sensor	11201007000283 14157
13.7	Duct main control board sub-assy	17123000A03606 14179
13.10	Reactor	17400306000070
13.11	Inverter module sub-assembly	17122000039528
14	Electronic control box cover	12223000010314
15	Pipe clamp board sub-assembly	12223000015148
16	Duct display board sub-assembly	17223000000003
16.1	Duct display board sub-assembly	17123000002712
17	Wired controller	17317100A38088
18	Rear cover sub-assembly	12223000010323
19	Top cover sub-assembly	12223000010326
34	Water level sensor	11201005000006 14153
35	Rubber tube	12623000000234
36	Induction pump	11001010000063 14147
38	Drain pipe	12100510000021
39	Drain pump rubber washer	12622500000004
41	Drain pump rubber washer	12622500000003
46	Air filter	12223000A03901 14185
54	Accessory kit	12011600A00310 14184
58	Flare nut	15500406000016
59	Flare nut	15500406000010
62	Middle beam sub-assembly	12223000010325
62.1	Fan motor support	12223000010309
63	Left side plate assembly of cabinet	12223000010311
63.1	Hook	12223000012927
64	Right clapboard sub-assembly	12223000010320
64.1	Hook	12223000012927
66	Right clapboard sub-assembly	12223000A03903

## Pro Series Multi Room Slim Ducted Indoor (DINSD35MB)

This diagram is provided to assist you to identify parts if replacement is necessary. Contact your place of purchase or the manufacturer to enquire about parts, availability and/or service.

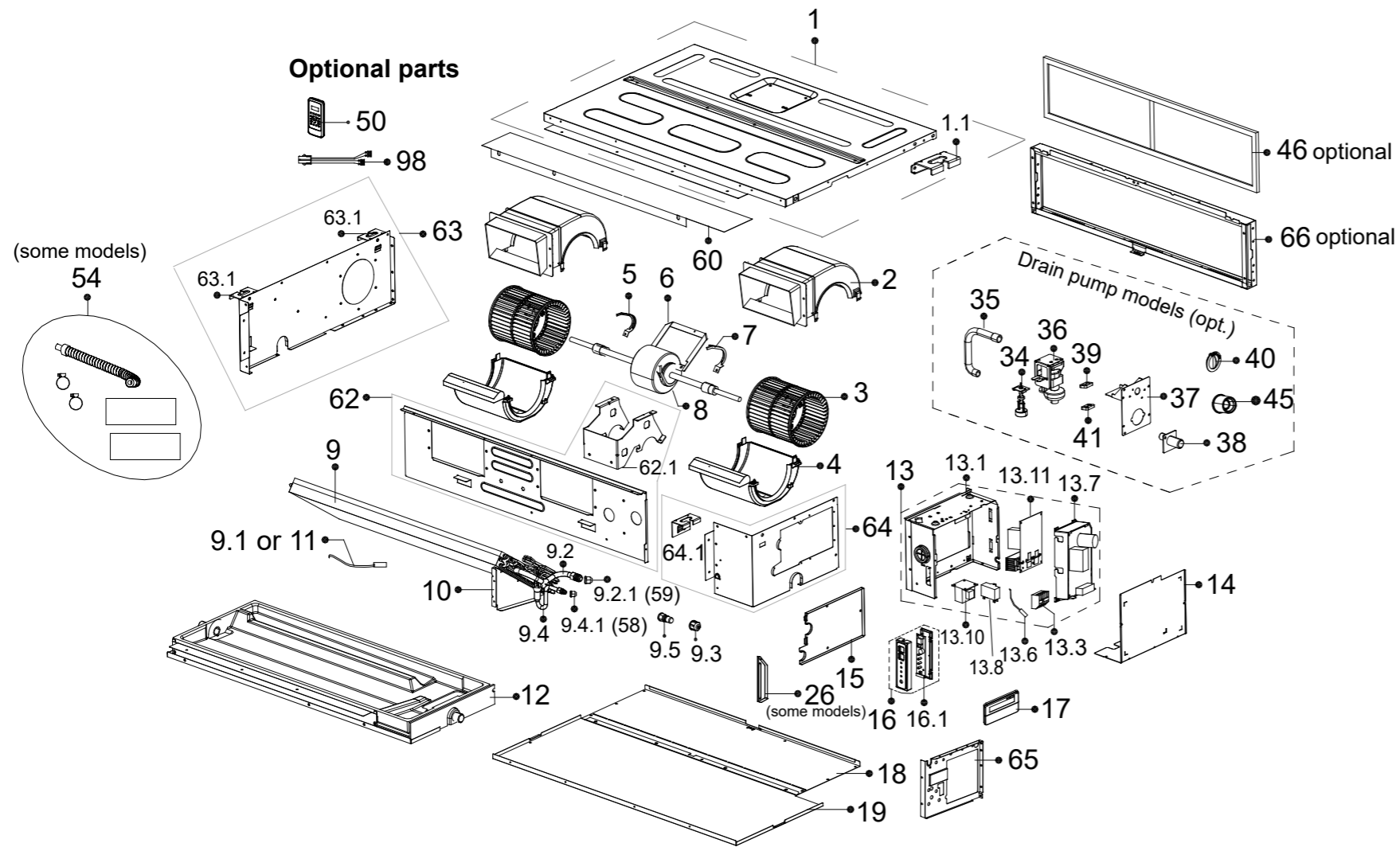


Ref.	Description (ID)	Part No.
13.3	Wire joint	17400401000080
13.6	Room temperature sensor	11201007003424
13.7	Duct main control board sub-assy	17123000A03627
13.10	Reactor	17400306000070
13.11	Inverter module sub-assembly	17122000052428
14	Electronic control box cover	12223000010314
15	Pipe clamp board sub-assembly	12223000015148
16	Duct display board sub-assembly	17223000000003
16.1	Duct display board sub-assembly	17123000002712
17	Wired controller	17317100A38088
18	Rear cover sub-assembly	12223000010323
19	Top cover sub-assembly	12223000010326
34	Water level sensor	11201005000006
35	Rubber tube	12623000000234
36	Induction pump	11001010000063
38	Drain pipe	12100510000021
39	Drain pump rubber washer	12622500000004
41	Drain pump rubber washer	12622500000003
46	Air filter	12223000A03901
54	Accessory kit	12011600A00310
58	Flare nut	15500406000016
59	Flare nut	15500406000010
62	Middle beam sub-assembly	12223000010325
62.1	Fan motor support	12223000010309
63	Left side plate assembly of cabinet	12223000010311
63.1	Hook	12223000012927
64	Right clapboard sub-assembly	12223000010320
64.1	Hook	12223000012927
66	Right clapboard sub-assembly	12223000A03903

Ref.	Description (ID)	Part No.
1	Chassis assembly	12223000010324
1.1	Hook	12223000012926
2	Top volute sub-assembly	12123000001180
3	Centrifuge fan	12100103000804
4	Lower volute sub-assembly	12123000002303
5	Fan motor axes clamp (left)	12222500000253
6	Fan motor fixing board	12223000010427
7	Cover	12222500000255
8	Brushless DC motor	11002015008306
9	Evaporator assembly	15823000004801

Ref.	Description (ID)	Part No.
9.1	Pipe temperature sensor	11201007003444
9.2	Evaporator outlet pipe sub-assy	15123000010747
9.3	Pipe nut	15500404000002
9.4	Evaporator inlet pipe sub-assy	15123000010589
9.5	Pin valve	15500209000001
10	Evaporator right support board sub-assy	12223000A04010
12	Water collector	12123000002483
12.1	Rubber plug	12600801000883
13	Duct electronic control box sub-assy	17223000A07299
13.1	Electronic control box	12223000010447

This diagram is provided to assist you to identify parts if replacement is necessary. Contact your place of purchase or the manufacturer to enquire about parts, availability and/or service.



Ref.	Description (ID)	Part No.	
13.11	Inverter module sub-assembly	17122000027570	
14	Electronic control box cover	12223000006627	
15	Pipe clamp board sub-assembly	12223000A02735	
16	Duct display board sub-assembly	17223000000003	
16.1	Duct display board sub-assembly	17123000002712	
17	Wired controller	17317100A38973	
18	Rear cover sub-assembly	12223000008591	
19	Top cover sub-assembly	12223000008590	
34	Water level sensor	11201005000006	14153
35	Rubber tube	12623000000234	
36	Induction pump	11001010000063	14147
37	Exhaust pump sub-assembly	12223000A02732	
38	Drain hose	12100510000021	
39	Drain pump rubber washer	12622500000004	
40	Cover of testing hole	12123000000043	
41	Drain pump rubber washer	12622500000003	
46	Air filter	12123000000983	14169
54	Accessory kit	12011600A00310	14184
58	Flare nut	15500406000016	
59	Flare nut	15500406000012	
60	Rear beam sub-assembly	12223000008592	
62	Middle beam sub-assembly	12223000008576	
62.1	Fan motor support	12223000009189	
63	Left clapboard sub-assembly	12223000008589	
63.1	Hook	12223000012927	
64	Right clapboard sub-assembly	12223000008594	
64.1	Hook	12223000012927	
65	Right side plate	12223000008577	
66	Right clapboard sub-assembly	12223000008578	

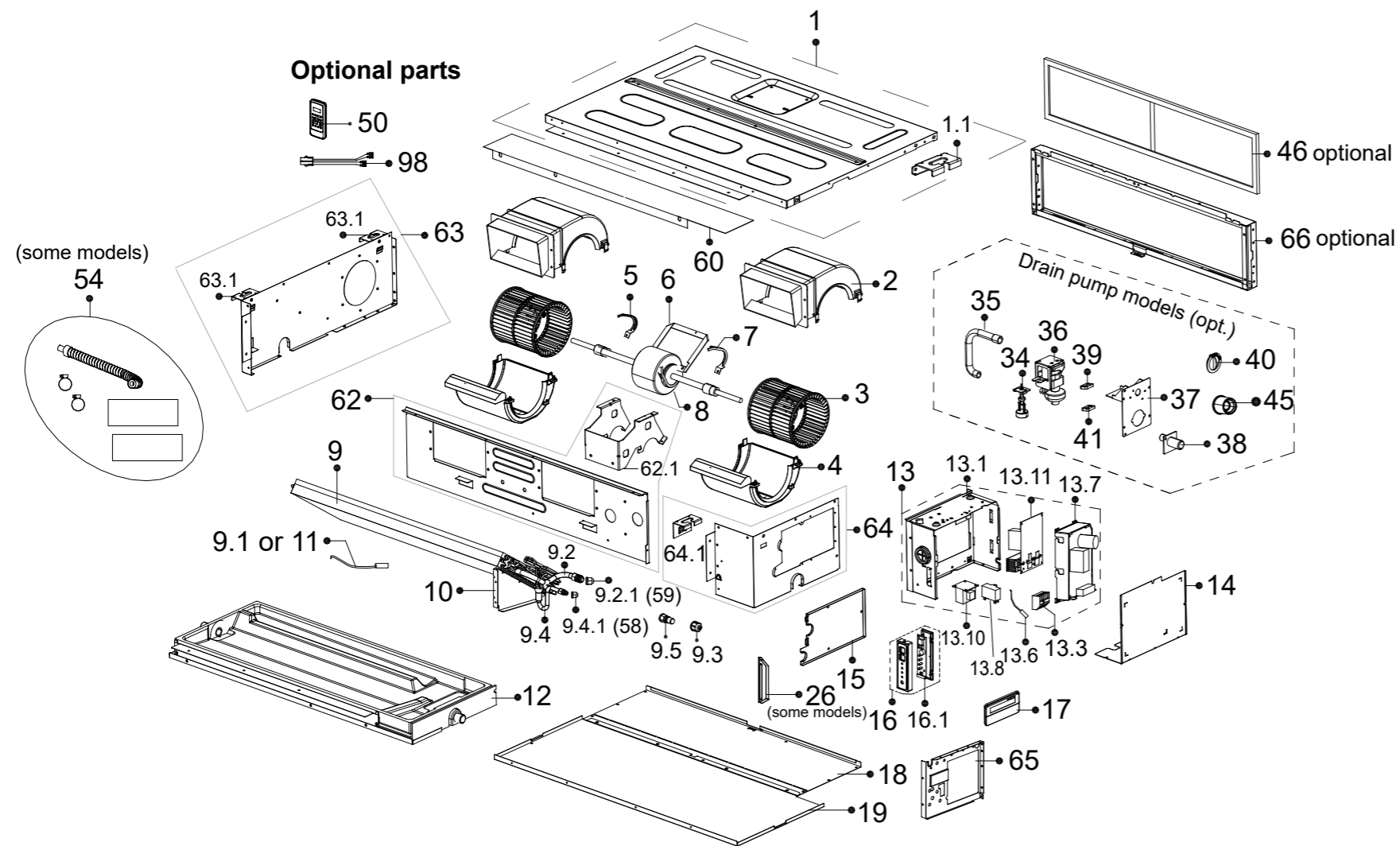
Ref.	Description (ID)	Part No.	
1	Chassis assembly	12223000008593	
1.1	Hook	12223000012926	
2	Top volute sub-assembly	12123000000801	
3	Centrifuge fan	12100103000584	
4	Lower volute sub-assembly	12123000002522	
5	Fan motor axes clamp (left)	12222500000253	
6	Fan motor fixing board	12223000000537	
7	Cover	12222500000255	
8	Brushless DC motor	11002015002521	14151
9	Evaporator assembly	15823000004567	
9.1	Pipe temperature sensor	11201007000136	14156
9.2	Evaporator outlet pipe sub-assy	15123000008692	

Ref.	Description (ID)	Part No.	
9.3	Pipe nut	15500404000009	
9.4	Evaporator inlet pipe assembly	15123000011151	
9.5	Check valve	15500209000001	
10	Evaporator right support	12223000006629	
12	Water collector assembly	12823000000190	
12.1	Rubber plug	12600801000883	
13	Duct electronic control box	17223000A07257	14187
13.1	Electronic control box	12223000011049	
13.3	Wire joint	17400401000080	
13.6	Room temperature sensor	11201007000283	14157
13.7	Duct main control board sub-assy	17123000A03586	
13.10	Reactor	17400306000070	



## Pro Series Multi Room Slim Ducted Indoor (DINSD70MB)

This diagram is provided to assist you to identify parts if replacement is necessary. Contact your place of purchase or the manufacturer to enquire about parts, availability and/or service.



Ref.	Description (ID)	Part No.	
13.11	Inverter module sub-assembly	17122000051662	
14	Electronic control box cover	12223000006641	
15	Pipe clamp board sub-assembly	12223000A02730	
16	Duct display board sub-assembly	17223000000003	
16.1	Duct display board sub-assembly	17123000002712	
17	Wired controller	17317100A38088	
18	Rear cover sub-assembly	12223000008888	
19	Top cover sub-assembly	12223000006648	
26	Right clapboard strengthening board	12223000006643	
34	Water level sensor	11201005000006	14153
35	Rubber tube	12623000000234	
36	Induction pump	11001010000063	14147
37	Exhaust pump sub-assembly	12223000A02732	
38	Drain hose	12100510000021	
39	Drain pump rubber washer	12622500000004	
40	Cover of testing hole	12123000000043	
41	Drain pump rubber washer	12622500000003	
46	Air filter	12123000000982	14168
54	Accessory kit	12011600A00310	14184
58	Flare nut	15500406000010	
59	Flare nut	15500406000003	
60	Front beam sub-assembly	12223000008570	
62	Middle beam sub-assembly	12223000008875	
63	Left clapboard sub-assembly	12223000008568	
63.1	Hook	12223000012927	
64	Right clapboard sub-assembly	12223000008571	
64.1	Hook	12223000012927	
65	Right side plate	12223000008114	
66	Right clapboard sub-assembly	12223000008109	

Ref.	Description (ID)	Part No.	
1	Chassis assembly	12223000008569	
1.1	Hook	12223000012926	
2	Top volute sub-assembly	12123000002521	
3	Centrifuge fan	12100103000586	
4	Lower volute	12123000000806	
5	Fan motor axes clamp (left)	12222500000253	
6	Fan motor fixing board	12223000000537	
7	Cover	12222500000255	
8	Brushless DC motor	11002015002521	14151
9	Evaporator assembly	15823000004563	
9.1	Pipe temperature sensor	11201007000136	14156
9.2	Evaporator outlet pipe sub-assy	15123000008702	

Ref.	Description (ID)	Part No.	
9.3	Pipe nut	15500404000005	
9.4	Evaporator inlet pipe assembly	15123000011148	
9.5	Check valve	15500209000002	
10	Evaporator right support	12223000006644	
12	Water collector assembly	12823000000130	
12.1	Rubber plug	12600801000883	
13	Duct electronic control box	17223000A07300	
13.1	Electronic control box	12223000011047	
13.3	Wire joint	17400401000080	
13.6	Room temperature sensor	11201007000283	14157
13.7	Duct main control board sub-assy	17123000A03586	14186
13.10	Reactor	17400306000070	