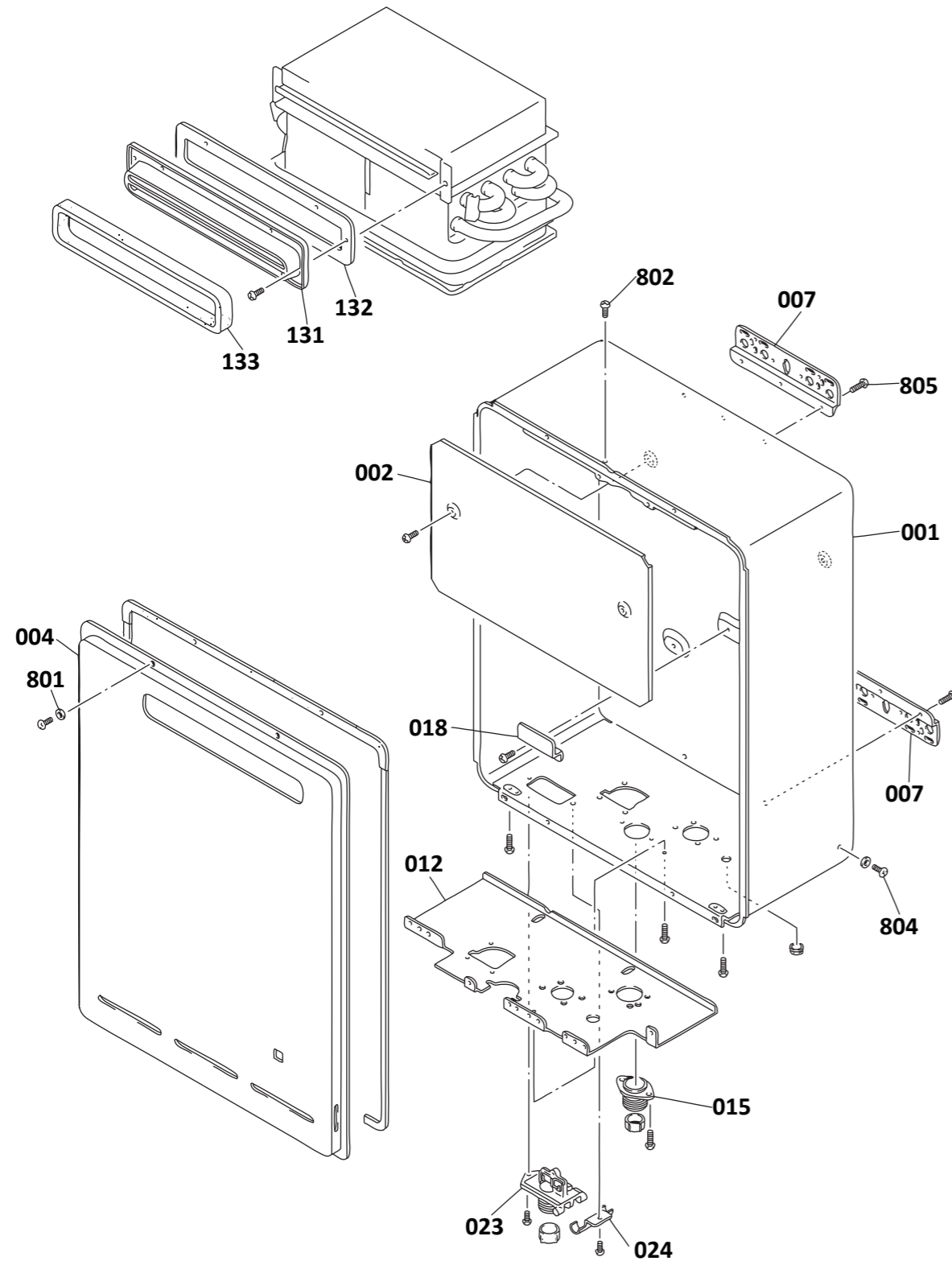
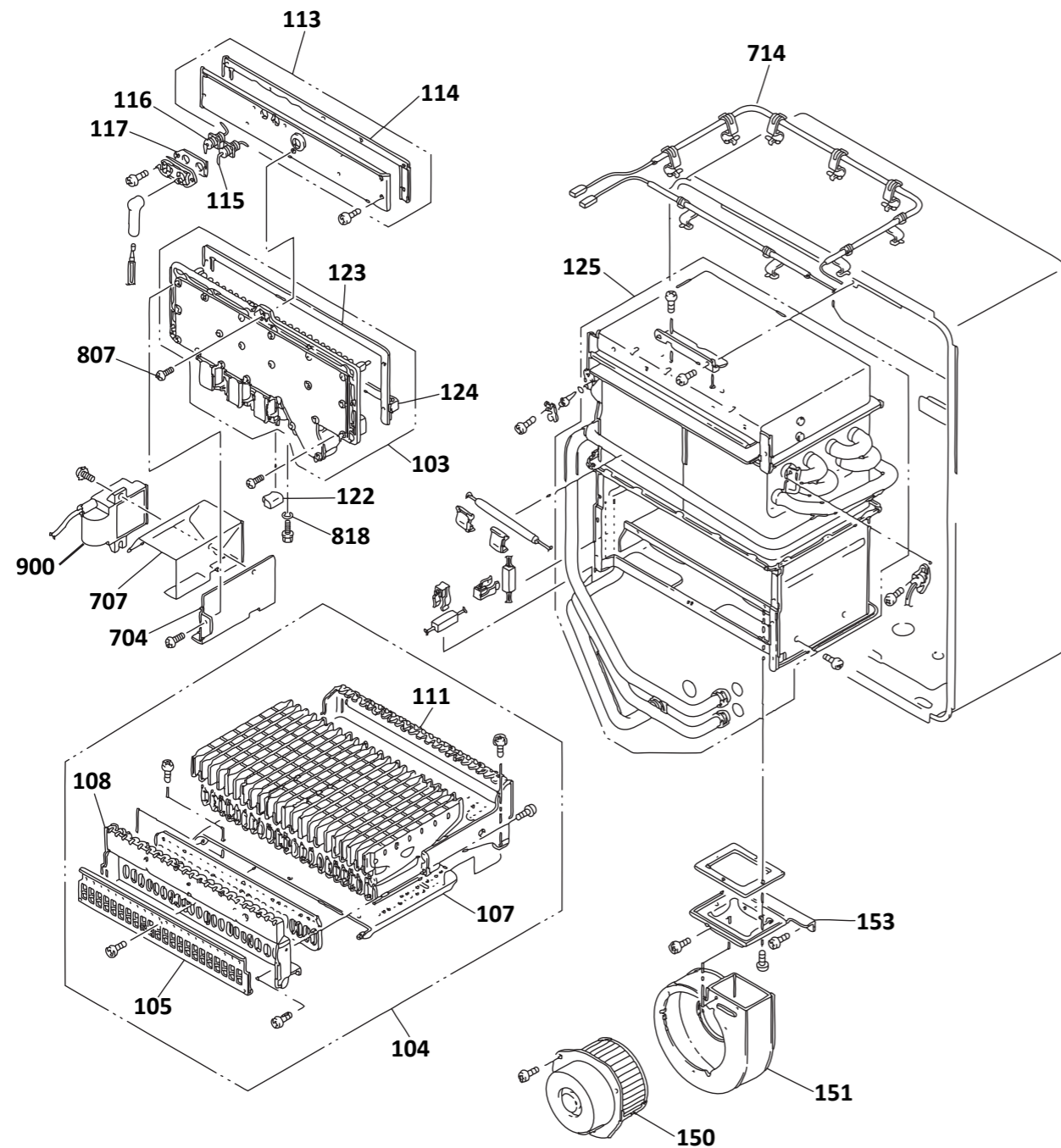


This diagram is provided to assist you to identify parts if replacement is necessary. Contact your place of purchase or the manufacturer to enquire about parts, availability and/or service.



Ref.	Description	Qty.	Part No.
SI = stocked item			
001	Casing assembly	1	3293 (SI)
002	Heat protection plate	1	3294 (SI)
004	Front panel assembly	1	-
007	Wall bracket	2	3387 (SI)
010	Front panel packing	1	3418 (SI)
011	Front panel packing side	2	3423 (SI)
012	Panel connection	1	3300 (SI)
014	Seal packing	2	2898 (SI)
015	Cable connection	1	3896 (SI)
016	Cable seal packing	1	2928 (SI)
018	Reinforcement plate	1	3303 (SI)
023	Cable access assembly	1	3310 (SI)
024	Cable access bracket	1	3311 (SI)
131	Flue outlet	1	3555 (SI)
132	Flue outlet packing	1	3479 (SI)
133	Flue outlet packing	1	3344 (SI)
800	Screw pack for front panel	1	R5040 (SI)
802	Truss FT screw	2	4763 (SI)
804	Screw	8	4765 (SI)
805	Screw	5	4767 (SI)

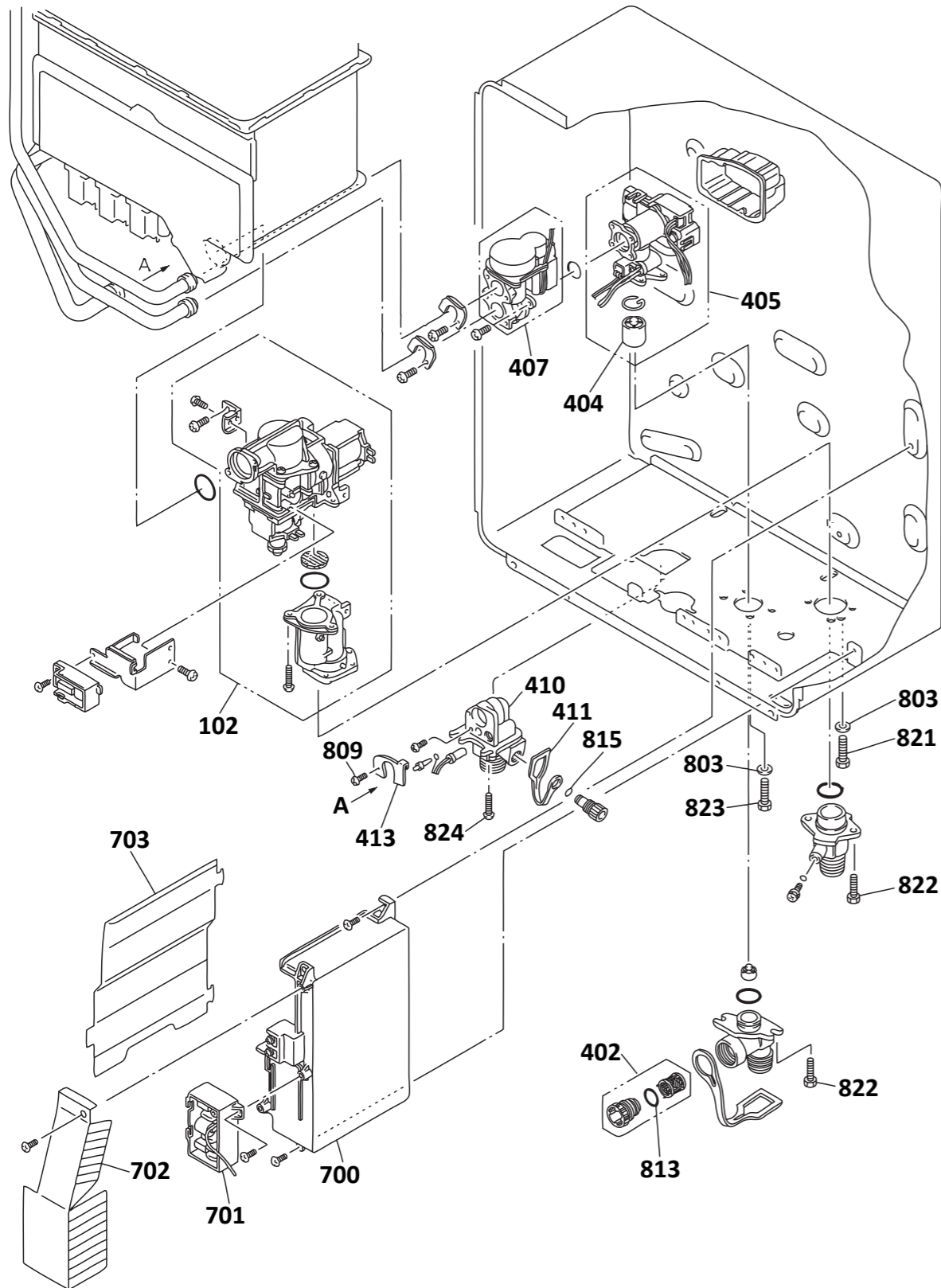
This diagram is provided to assist you to identify parts if replacement is necessary. Contact your place of purchase or the manufacturer to enquire about parts, availability and/or service.



Ref.	Description	Qty.	Part No.
SI = stocked item			
101	Pressure point screw	1	3564 (SI)
103	Manifold assembly LPG	1	3313 (SI)
104	Burner unit assembly	1	5690 (SI)
105	Damper LPG	1	3337 (SI)
107	Burner case bottom plate	1	3317 (SI)
108	Burner case front	1	3318 (SI)
109	Packing	1	3439 (SI)
111	Burner case back panel	1	3319 (SI)
-	Combustion chamber front panel assembly, use parts 113 and 114	1	-
113	Combustion chamber front plate	1	3320 (SI)
114	Comb. chamber front plate packing	1	3443 (SI)
115	Electrode	1	3445 (SI)
116	Flame rod	1	4916 (SI)
117	Electrode packing	1	3465 (SI)
118	Electrode holder	1	3468 (SI)
121	Electrode sleeve	1	3475 (SI)
122	Solenoid valve cover	1	3323 (SI)
123	Upper comb. chamber packing	1	3324 (SI)
124	Lower comb. chamber packing	1	3325 (SI)
125	Heat exchanger complete assy.	1	3333 (SI)
150	Fan motor	1	2883 (SI)
151	Fan motor casing	1	2863 (SI)
153	Fan connecting bracket	1	3763 (SI)
154	Fan connection packing	1	3482 (SI)
704	Ignitor bracket	1	3952 (SI)
705	Ignitor	1	2886 (SI)
706	HT lead	1	3651 (SI)
707	Ignitor cover	1	3953 (SI)
709	Anti frost heater clip	1	3891 (SI)

Ref.	Description	Qty.	Part No.
710	Heater fixing plate	1	2899 (SI)
711	Anti frost heater clip	1	3536 (SI)
715	Fuse clip	1	2869 (SI)
717	Thermistor clip	1	3882 (SI)
806	Tapping screw	1	2896 (SI)
807	Screw	5	4768 (SI)
808	Screw	1	2938 (SI)
812	O-ring in/out water	1	3627 (SI)
814	O-ring HEX outlet	1	3826 (SI)
816	O-ring thermistor	1	3832 (SI)
818	O-ring	2	2239 (SI)

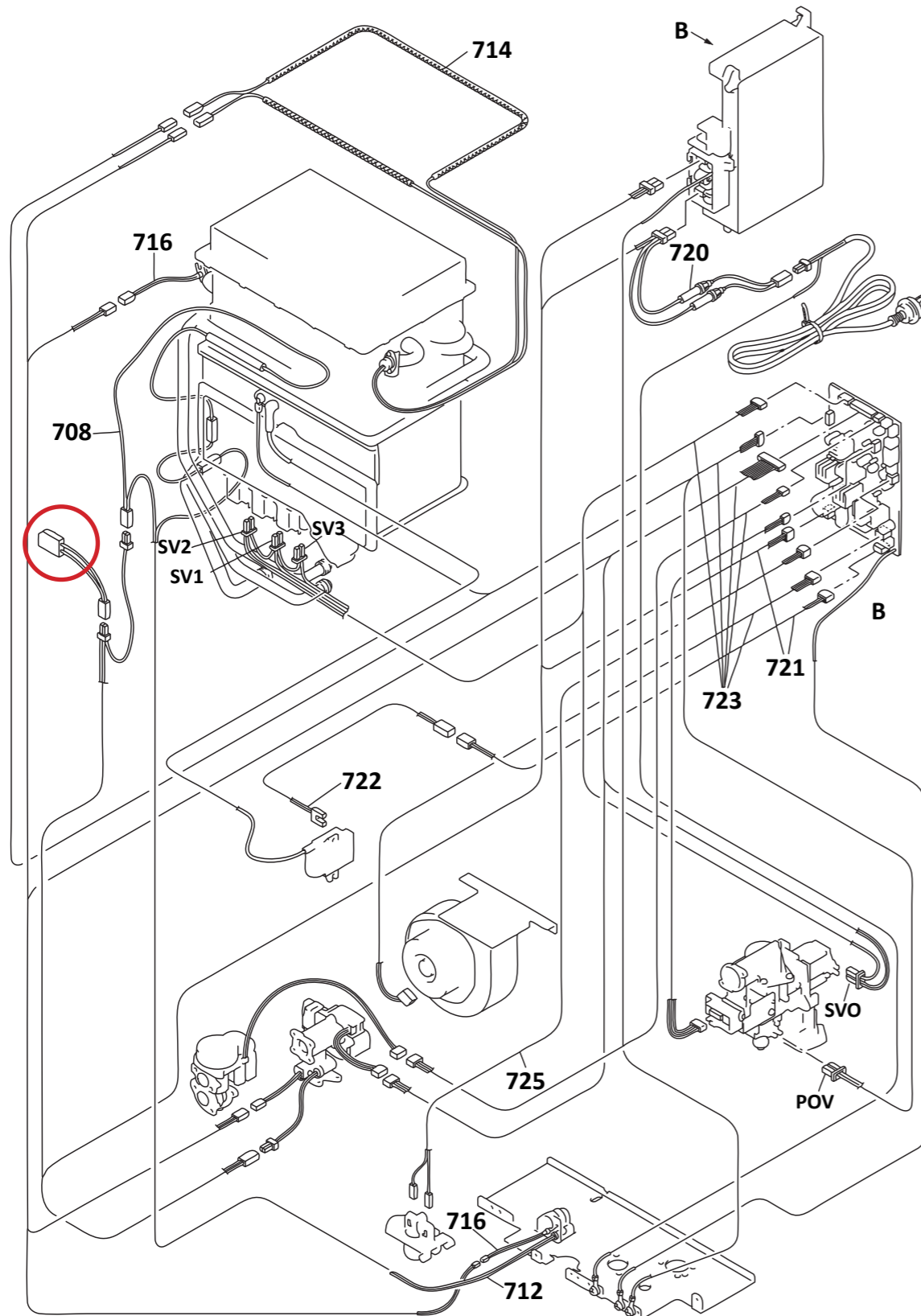
This diagram is provided to assist you to identify parts if replacement is necessary. Contact your place of purchase or the manufacturer to enquire about parts, availability and/or service.



Ref.	Description	Qty.	Part No.
SI = stocked item			
100	Gas connection	1	3074 (SI)
101	Pressure point screw	1	3564 (SI)
102	Gas control assembly	1	4998 (SI)
400	Water inlet	1	2894 (SI)
401	Plug band inlet	1	2927 (SI)
402	Incoming water filter	1	3839 (SI)
404	Water turbine	1	-
405	Flow servo & sensor assembly (with valve heater)	1	5227 (SI)
406	Flow straightener	1	3487 (SI)
407	Bypass servo assembly	1	3944 (SI)
408	Stop bracket	1	3624 (SI)
409	Water flow servo cover	1	2871 (SI)
410	Hot water outlet 3/4 NPT	1	3946 (SI)
411	Plug band hot water	1	2926 (SI)
412	Pressure relief valve	1	3491 (SI)
413	Stop bracket	1	3948 (SI)
700	PCB	1	5349
701	Surge protector	1	4930 (SI)
702	PCB front cover	1	3950 (SI)
703	PCB side cover	1	3951 (SI)
730	Status monitor bracket (not available for this model)	-	N/A
803	Washer (10 pieces)	5	4764 (SI)
809	Screw	3	4769 (SI)
810	Thermistor stop screw	1	3241 (SI)
811	Gas inlet o-ring	1	3837 (SI)
812	O-ring in/out water	1	3627 (SI)
813	O-ring water filter	1	1244 (SI)
815	O-ring pressure relief valve	1	1031 (SI)

Ref.	Description	Qty.	Part No.
816	O-ring thermistor	1	3832 (SI)
817	Packing	1	3521 (SI)
818	O-ring	2	2239 (SI)
821	Screw	1	4770 (SI)
822	Screw	4	-
823	Screw	2	4772 (SI)
824	Screw	3	4773 (SI)

This diagram is provided to assist you to identify parts if replacement is necessary. Contact your place of purchase or the manufacturer to enquire about parts, availability and/or service.



Ref.	Description	Qty.	Part No.
708	230 V A-frost heater assembly	1	3955
712	230 V valve heater assembly	1	4752
714	Thermal fuse harness	1	4753
716	Thermistor	1	2884
720	Fuse harness (no heater)	1	4755
720	Fuse harness antifrost (with heater)	1	4756
721	220 V power supply harness	1	4757
722	220 V ignitor harness	1	4758
723	Sensor harness	1	4759
725	Remote control harness	1	4760
-	Frost sensing switch (circled)	1	3358
-	Power cord	1	3526