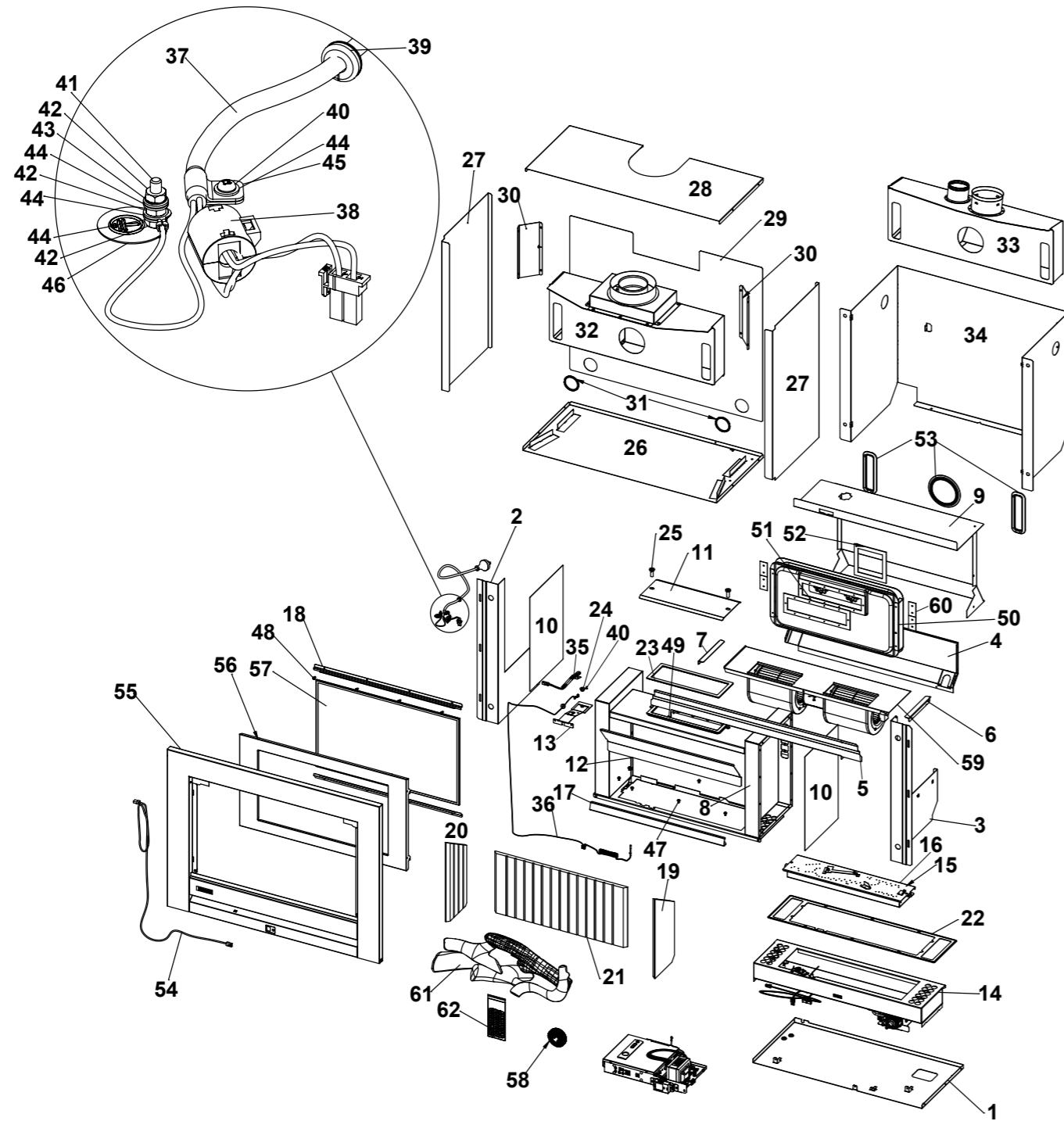


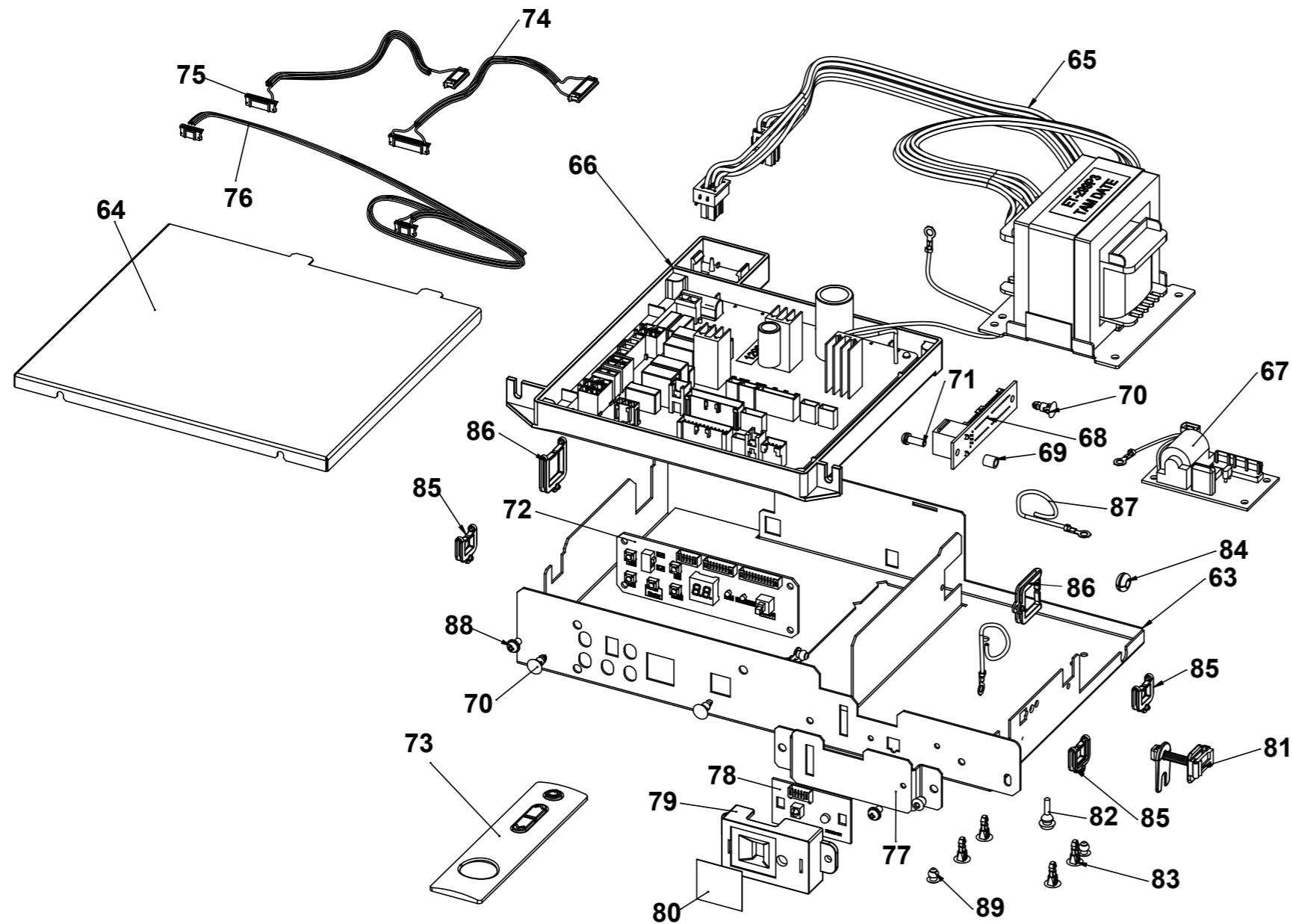
This diagram is provided to assist you to identify parts if replacement is necessary. Contact your place of purchase or the manufacturer to enquire about parts, availability and/or service.



Ref.	Description	Part No.
1	Base panel	13121
2	Panel side LH	13783
3	Panel side RH	13784
4	Panel back	13785
5	Panel top trim	13786
6	Fan mount bracket RH	11860
7	Fan mount bracket LH	11859
8	Comb. chamber spare c/w gaskets	16060
9	Panel comb. chamber air guide	13781
10	Panel airbox cover (x2)	13789
11	Panel pressure relief flap black	13779F
12	Heat shield painted	13761F
13	Bracket TH1 TF	13774
14	Gas control	p.2
15	Burner assembly black LPG	13795F
16	Burner assembly black NG	13797F
17	Pilot shield black	13743F
18	Glass bracket top / bottom (x2)	13961
19	Ceramic panel groove RH	12368
20	Ceramic panel groove LH	12366
21	Ceramic panel groove rear	12367
22	Silicone gasket seal	13782
23	Gasket pressure relief	13330
24	Grommet silicone 2 Ø1.8 hole black (x2)	10294
25	Pin brass pressure relief	13780
26	ZC box base	13765-1
27	ZC box side	13765-2
28	ZC box top	13765-3
29	ZC box rear	13765-4
30	Corner support ZC (x2)	13765-5
31	Edge protector white (x2)	16067
32	Assy. flue connection coaxial	13775
33	Assy. flue connection colinear	13776
34	Panel flue adaptor support	13766
35	Thermal fuse	13011

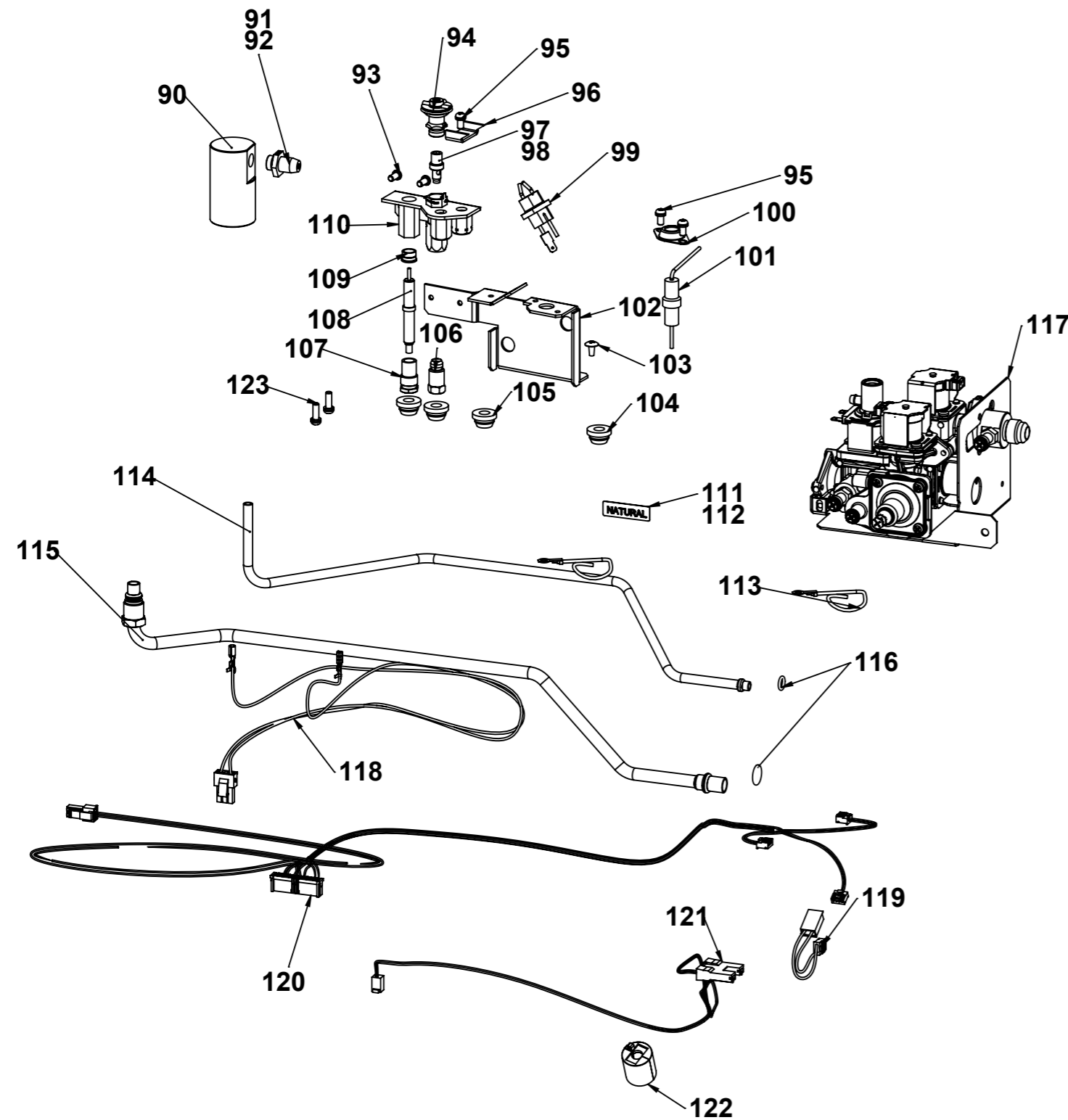
Ref.	Description	Part No.
36	Harness RT OH1 uni control	13034
37	Power cord	13042
38	Ferrite clamp	13004
39	Rubber grommet power cord	7132
40	Screw 8 x ¼ PPHSZ type B phil (x2)	9144
41	Screw M4 x 20 pan phil ZC	9073
42	Nut M4 ZP (x3)	9186
43	Washer spring M4 ZP	9233
44	Washer flat M4 ZP (x5)	9231
45	Power cord clamp	9552
46	Earth tag	11269
47	Screw M5 x 8 SS pan phil MTS 304 (x10)	9110
48	Screw M5 x 10 ZP (x8)	9101
49	Screw 2 truss 4 x 8 tap chrome (x22)	9154
50	HEX assembly c/w gaskets + screws	16051
51	Gasket HEX rectangle	10925
52	Gasket HEX square	10926
53	Spare air / flue seals	16050
54	Cable CAT5 x 1.4M	11925
55	Frame black c/w ON/OFF	16053
56	Frame inner black	16068
57	Glass replacement c/w rope seal	11966
58	Rope seal 2 m	R7010
59	Fan spare	16056
60	Inlet shutter set	16059
61	Log set spare	16057
62	Granules flame fire	2544

This diagram is provided to assist you to identify parts if replacement is necessary. Contact your place of purchase or the manufacturer to enquire about parts, availability and/or service.



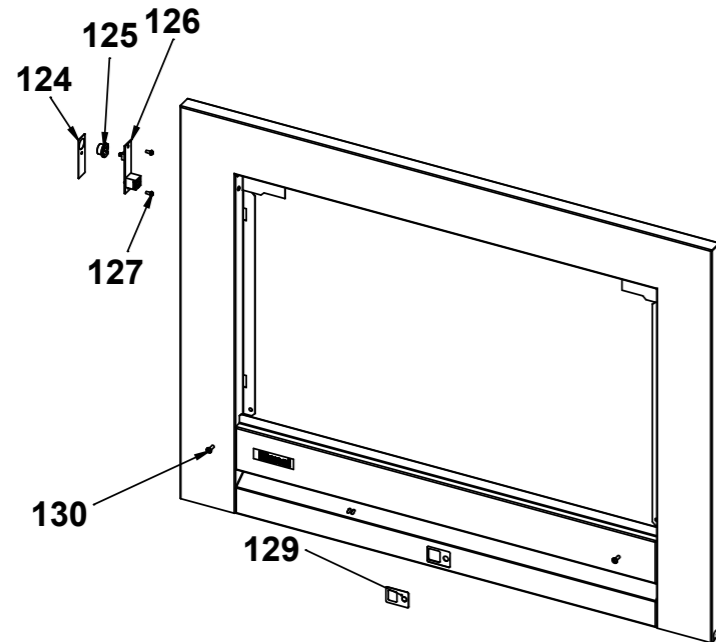
Ref.	Description	Part No.
63	Electrical box universal control	12811
64	PCB box lid	12929
65	Transformer	10258
66	PCB universal control	12966
67	Igniter	13006
68	Interface board	12494
69	Spacer M4 clearance 7 mm	13066
70	PCB spacer (x5)	10428
71	Screw M4 x 12 mach c/w washer	9070
72	PCB display	10253
73	Remote control IR universal	13040
74	Harness 12-way control	12492
75	Harness 9-way control	12496
76	Harness receiver	12656
77	Mounting bracket receiver	13124
78	PCB receiver	10393
79	PCB receiver case	10394
80	Filter A for PCB receiver	10266
81	Thermistor holder	7540
82	Self fix bumper (x2)	11304
83	PCB spacer black (x4)	9004
84	Rubber grommet	6749
85	Protector plastic edge EHS11U (x3)	1880
86	Protector plastic edge EHS18U (x2)	10471
87	Wire tie 80 mm (x3)	4417
88	Screw M4 x 8 pan phil zinc	9143
89	Rivet pop plain 73AS52	9315

This diagram is provided to assist you to identify parts if replacement is necessary. Contact your place of purchase or the manufacturer to enquire about parts, availability and/or service.

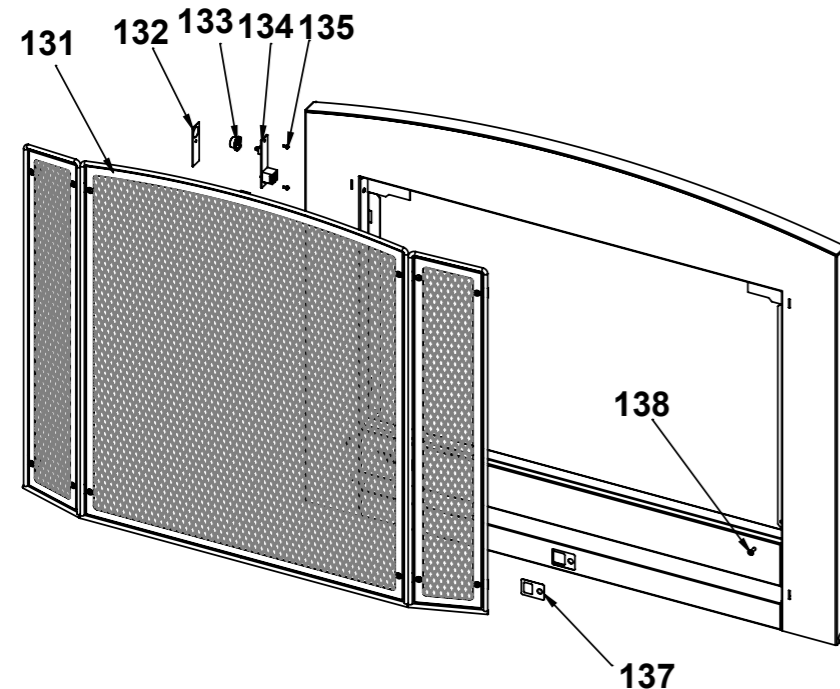


Ref.	Description	Part No.
90	Injector block	11530
91	Injector 2.8 NG	11892
92	Injector 1.55 LPG	11868
93	Screw M4 x 8 pan phil zinc (x2)	9063
94	Pilot convertible hood 3-flame	10272
95	Screw M4 x 8 PHPMZ spring wash (x3)	9064
96	Electrode clamp uni control	13043
97	Injector NG 62	7795
98	Injector LPG 0.35	7873
99	Double spark electrode	10265
100	Flame rod bracket	3068
101	Flame rod	12620
102	Pilot bracket	13126
103	Screw truss 4 x 8 tap chrome	9154
104	Grommet silicone Ø4 hole red (x2)	10293
105	Grommet silicone 2 Ø 1.8 hole black (x2)	10294
106	Olive 6 mm	7519
107	Electrode nut	7900
108	Electrode	7875
109	Spacer electrode pilot	7902
110	Pilot body top convertible	7870
111	Label gas type NG	6696
112	Label gas type ULPG	7348
113	Wire tie 80 mm (x2)	4417
114	Pilot tube	13129
115	Gas supply tube assembly	13128
116	O-ring kit (1 x 10 mm, 1 x 6 mm)	16052
117	Gas control spare	13047
118	Harness flame rod	13008
119	Harness MV relay	13013
120	Harness TFMV	13014
121	Harness POV	13012
122	Ferrite clamp	13004
123	Screw M4 x 12 mach c/w washer (x2)	9070

This diagram is provided to assist you to identify parts if replacement is necessary. Contact your place of purchase or the manufacturer to enquire about parts, availability and/or service.



Ref.	Description	Part No.
STANDARD FRAME		
-	Frame assembly (incl. all the below)	16053
124	Label control	13750
125	Button	10250
126	Switch main control	12999
127	Screw 8 x 3/8 PHPSZ (x2)	9148
129	Filter B for PCB receiver	10268
130	Screw M4 x 12 pan phil black (x2)	9071



Ref.	Description	Part No.
CLASSIC FRAME BRONZE		
-	Classic frame assembly (incl. all the below)	R2380
131	Classic guard bronze	12123BZ
132	Label control	13750
133	Button	10250
134	Switch main control	12999
135	Screw 2 pan head tapping (x2)	9150
137	Filter B for PCB receiver	10268
138	Screw M4 x 12 pan phil black	9071