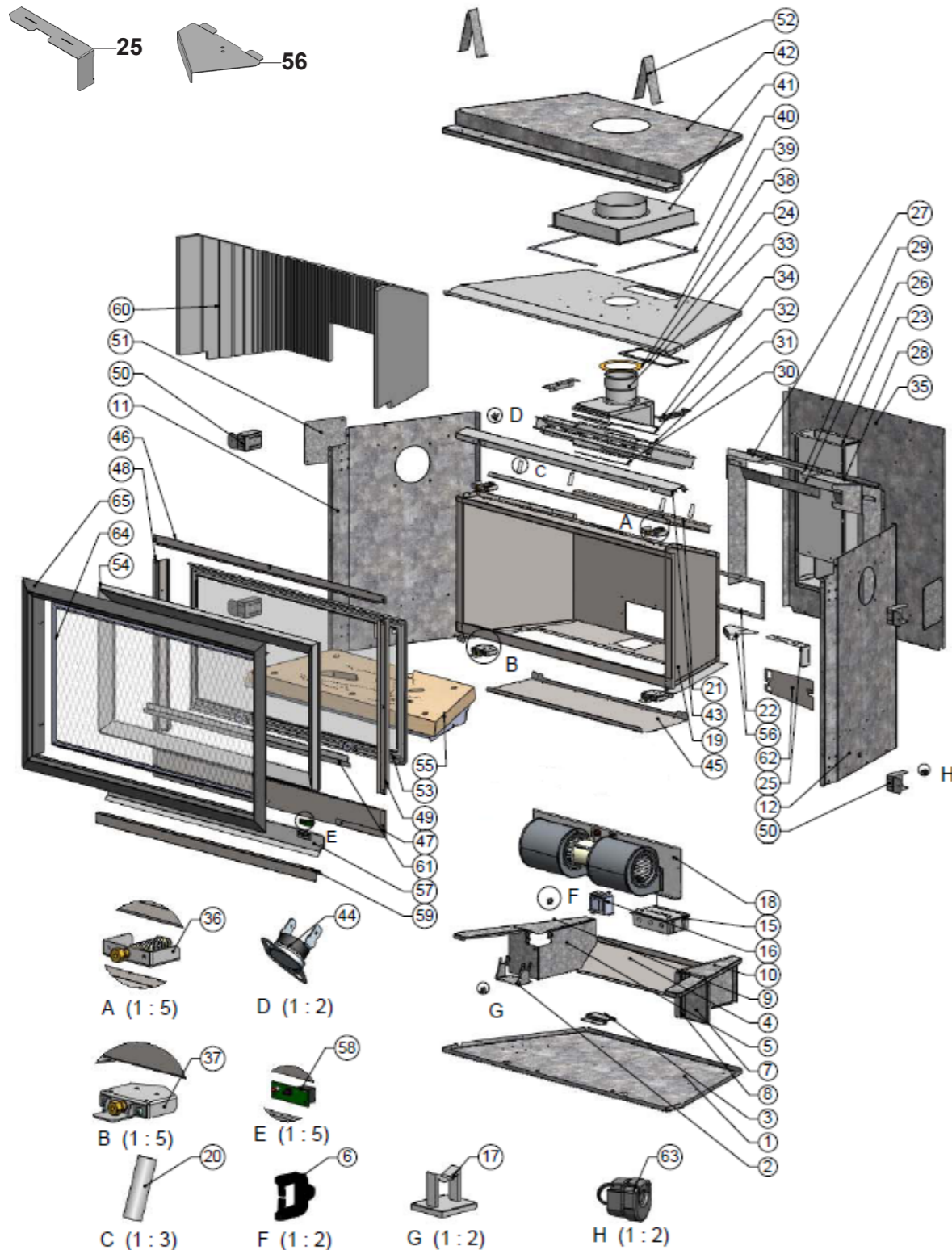


This diagram is provided to assist you to identify parts if replacement is necessary. Contact your place of purchase or the manufacturer to enquire about parts, availability and/or service.



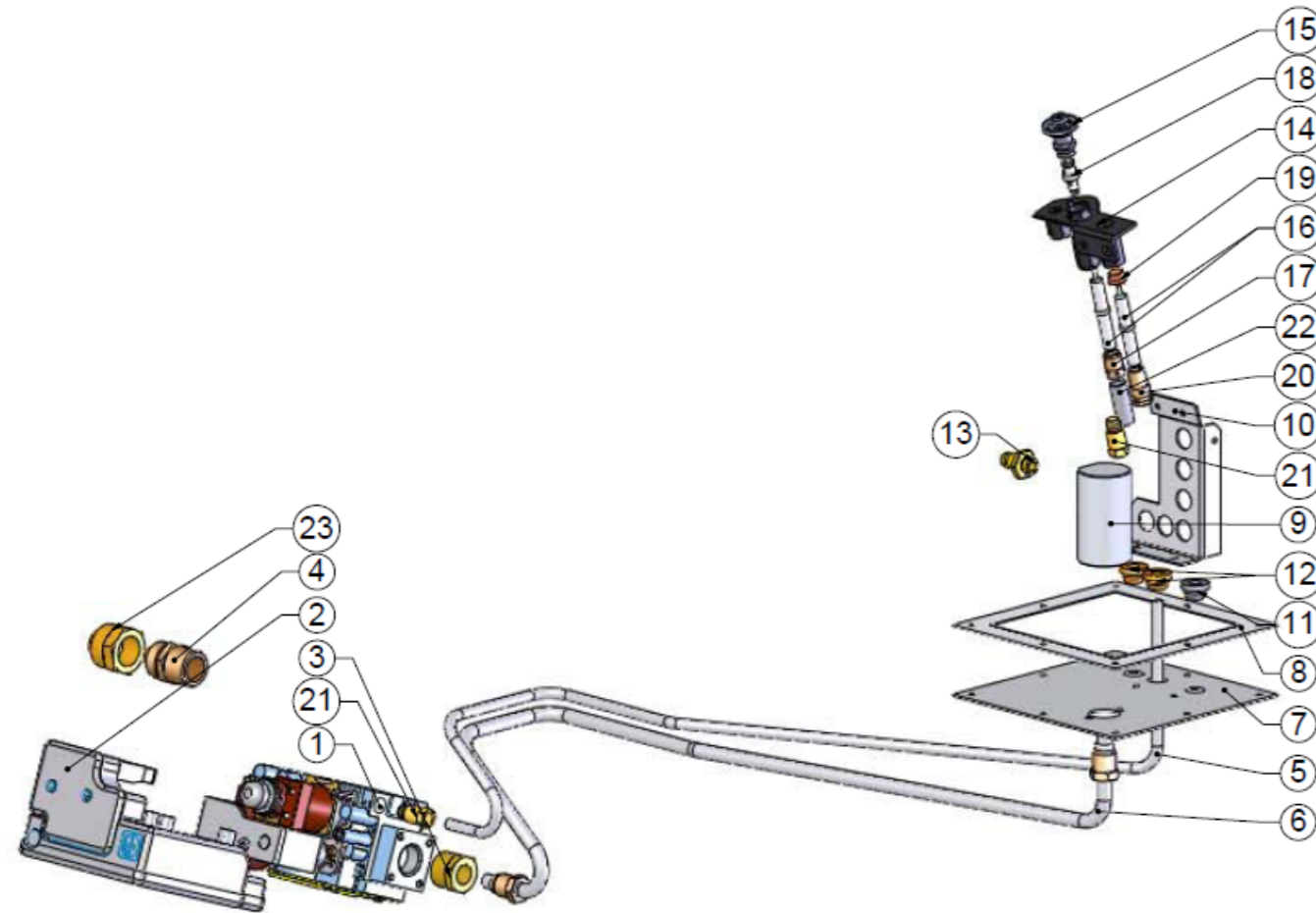
Ref.	Description	Part No.	Qty.
1	Panel bottom	11500	1
2	Gas control bracket (SIT)	11501	1
3	Transformer bracket	11503	1
4	Air guide bottom	11505	1
5	Fan bracket LH assy	11506	1
6	Protective plastic edge	1880	4
7	Fan bracket RH	11507	1
8	Fan support assy RDV3610	11624	1
9	Combustion chamber support LH	11510	1
10	Combustion chamber support RH	11511	1
11	Panel side LH	11512	1
12	Panel side RH	11513	1
15	Control unit replacement RF RDV3610	11671	1
16	Transformer	11538	1
17	Cable clip	10309	3
18	Fan convection assy RDV36	11661	1
19	Combustion chamber assy	11550	1
20	Combustion top spacer	11551	4
21	Heat deflector top black RDV36	11552F	1
22	Air duct outlet gasket	11554	1
23	Air duct assy	11555	1
24	Air duct inlet gasket	11631	1
25	Pilot shield	11514	1
26	Heat exchanger air guide	11556	1
27	Air guide side LH	11557	1
28	Air guide side RH	11558	1
29	Air guide center	11559	1
30	Gasket heat exchanger square IB300	10926	1
31	Heat exchanger assy RDV3610	11664	1
32	Flue discharge gasket RDV3610	11644	1
33	Flue discharge and gasket	11665	1
34	Discharge hood bracket	11509	1
35	Panel rear	11561	1
36	Explosion relief top assy RDV36	11662	2
37	Explosion relief bottom assy RDV36	11663	2
38	Ceramic gasket (140 x 17 x 3)	11625	1
39	Air guide top	11563	1
40	Air duct inlet top gasket RDV36	11642	2
41	Air intake top assembly	11565	1

Ref.	Description	Part No.	Qty.
42	Panel top	11564	1
43	Relief spring cover black RDV36	11572F	1
44	OH switch (150 °C ES-01178)	2506	1
45	Combustion chamber cover assy	11667	1
46	Frame top black RDV36	11575B	1
47	Frame bottom black RDV36	11576B	1
48	Frame side LH black RDV36	11577B	1
49	Frame side RH black RDV36	11578B	1
50	Mounting bracket	11582	4
51	Cover plate	11583	2
52	Spacer bracket top	11584	2
53	Glass and frame assy RDV36	11668	1
54	Inner frame galaxy black RDV36	13621GL	1
55	Burner assy	11611	1
56	Cover burner assy (pilot cover)	11669	1
57	Service panel rear assy RDV36	11670	1
58	Main control switch RF RDV3610	11628	1
59	Service panel front galaxy black	11580GL	1
60	Liners ceramic pinstripe	R3615	1
61	Burner cover bracket black	11581F	1
62	Flue restrictor	11516	1
63	Power cord holder	7845	1
64	Dress guard assy galaxy black	R3610GL	1
65	Outer frame galaxy black	R3600GL	1
65	Outer frame satin chrome	R3600SC	1

**Not shown in exploded diagram**

-	Log set	11600	1
-	Harness wiring	11595	1
-	Power cord black	6765B	1
-	Cable CAT5 (500 mm IBOF)	10631	1
-	Harness overheat switch (IBOF)	10654	1
-	Harness overheat switch (RDV3610)	11594	1
-	HT lead SIT control	11596	1
-	Sensor wire SIT control	11598	1
-	Remote control replacement RF RDV3610	11674	1

This diagram is provided to assist you to identify parts if replacement is necessary. Contact your place of purchase or the manufacturer to enquire about parts, availability and/or service.



Ref.	Description	Part No.	Qty.
1	Gas control sigma 845 SIT	10600	1
2	Ignition pack	12760	1
3	Pipe adaptor ½ " BSPT	11589	1
4	Flare connection ½ " male BSPT-½ BSP	11633	1
5	Pilot tube	11525	1
6	Main gas tube assy NZ AU	11527	1
7	Pilot base	11529	1
8	Gasket heat exchanger square (IB300)	10926	1
9	Injector block	11530	1
10	Pilot bracket	11531	1
11	Grommet silicon (2Ø1.8 hole)	10924	1
12	Grommet silicon (Ø4 hole)	10293	2
13	Injector main 3.0 NG	11532	1
13	Injector main 1.7 LPG	11534	1
14	Pilot body top convertible	7870	1
15	Pilot convertible hood two flame	7871	1
16	Electrode	7875	2
17	Electrode nut (SIT)	7876	1
18	Injector pilot NG 62	7795	1
18	Injector pilot LPG 35	7873	1
19	Spacer electrode pilot	7902	1
20	HT lead SIT control	11596	1
21	Sensor wire SIT	11598	1
22	Electrode nut ETR	7900	1
23	Olive 6 mm	7519	2
-	Electrode sheath silicone PK2	12931	1