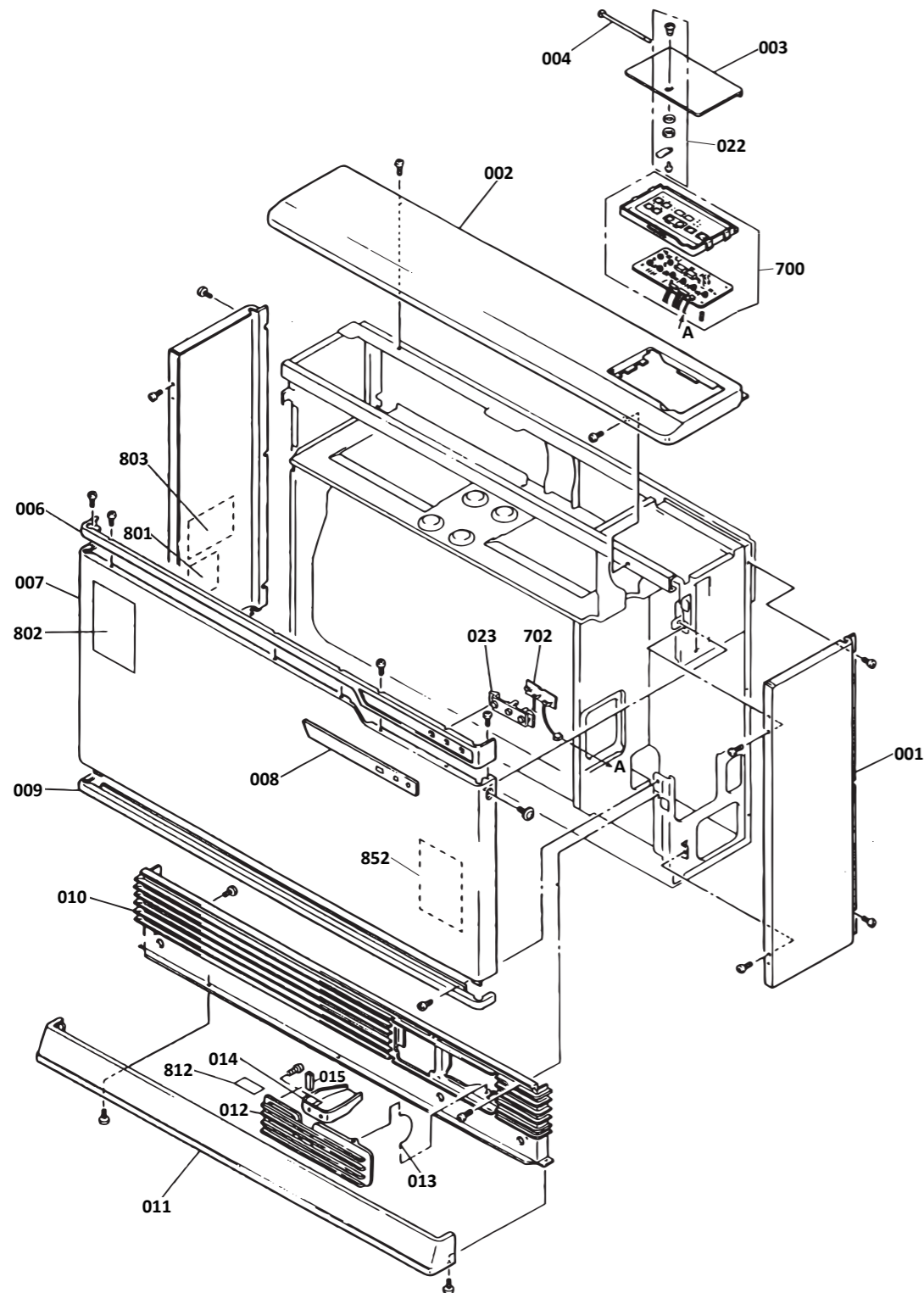
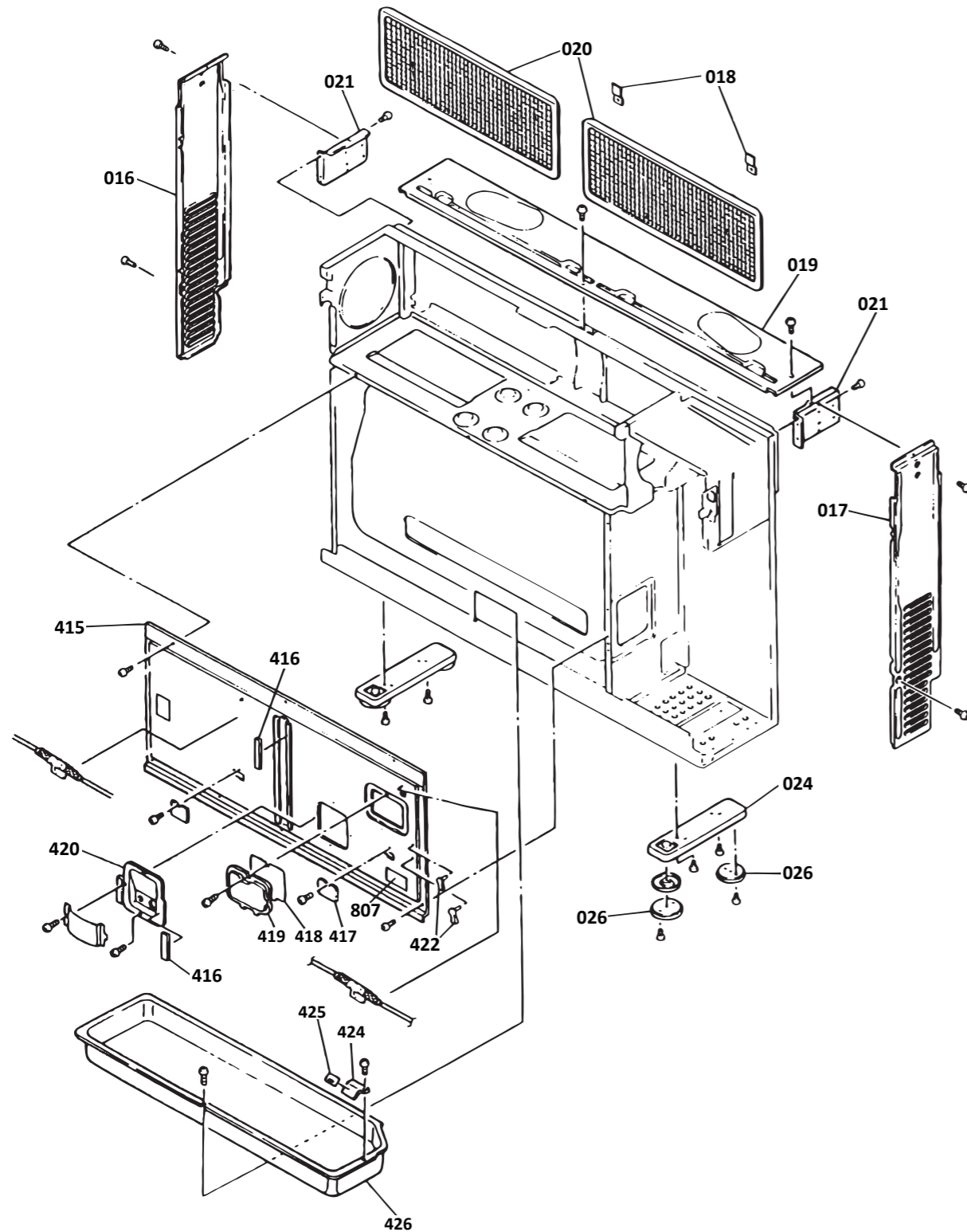


This diagram is provided to assist you to identify parts if replacement is necessary. Contact your place of purchase or the manufacturer to enquire about parts, availability and/or service.



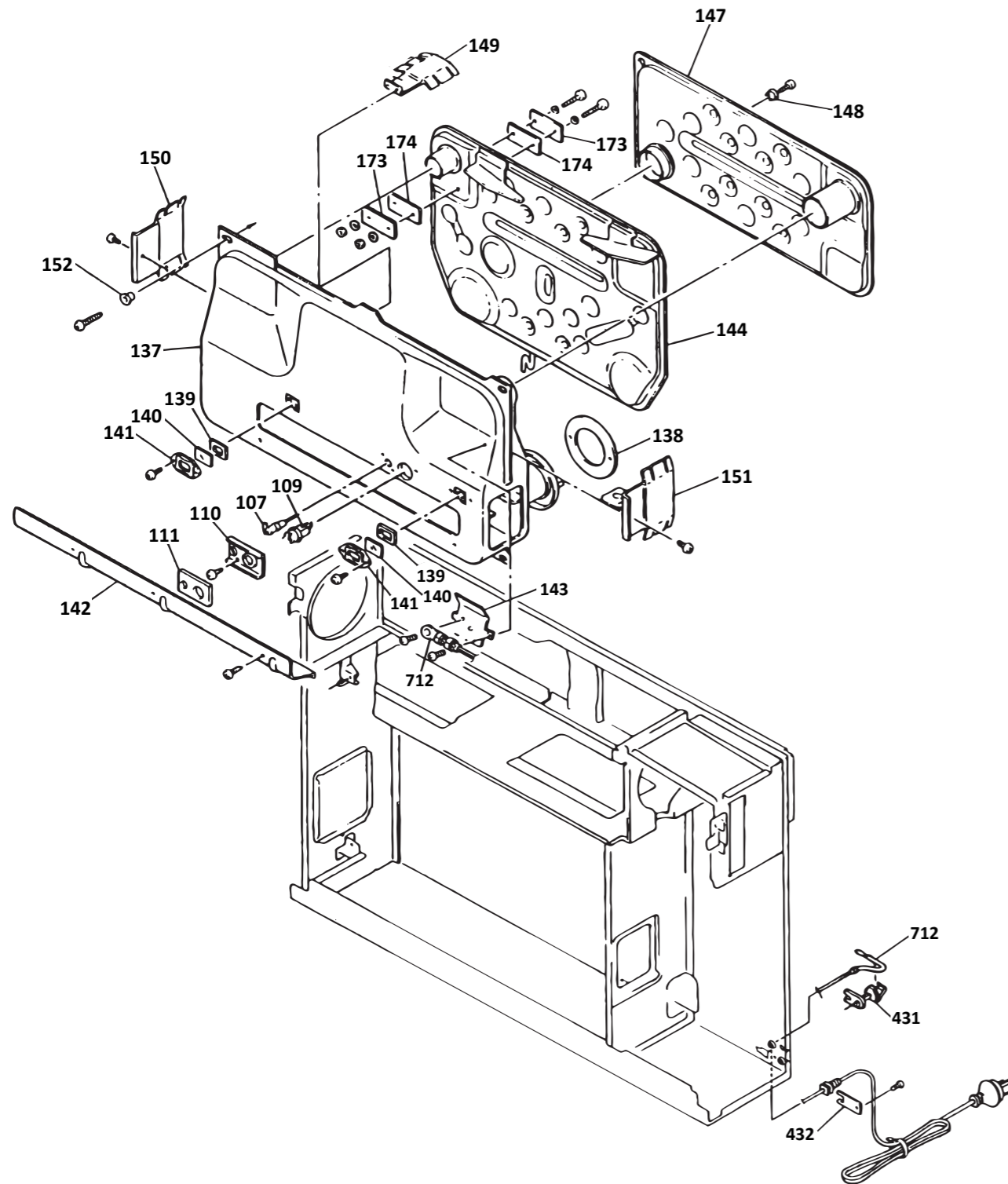
Ref.	Description	Qty.	Part No.
001	Side panel	2	4287I
002	Top panel	1	4801
003	Control panel lid	1	4802
004	Hinge pin	1	4803
006	Front panel trim assembly	1	4012I
007	Front panel assembly	1	4118I
008	Indicator panel	1	4804
009	Louvre trim	1	4120I
010	Louvre - bottom	1	4280I
011	Skirting assembly	1	4339I
012	Humidifier door assembly	1	4805
013	Louvre door hinge	1	4283
014	Humidifier spout	1	4282
015	Humidifier door magnet	1	4849
022	Lock assembly	1	3519
023	Indicator support bracket	1	Not available
700	Control panel assembly	1	4834
702	Indicator PCB assembly	1	4835
800	Data plate NG	1	4846
801	Data plate LPG	1	4847
802	Energy efficiency label	1	Not available
803	Caution engraving	1	Not available
812	Pull label	1	Not available
852	Wiring diagram	1	Not available

This diagram is provided to assist you to identify parts if replacement is necessary. Contact your place of purchase or the manufacturer to enquire about parts, availability and/or service.



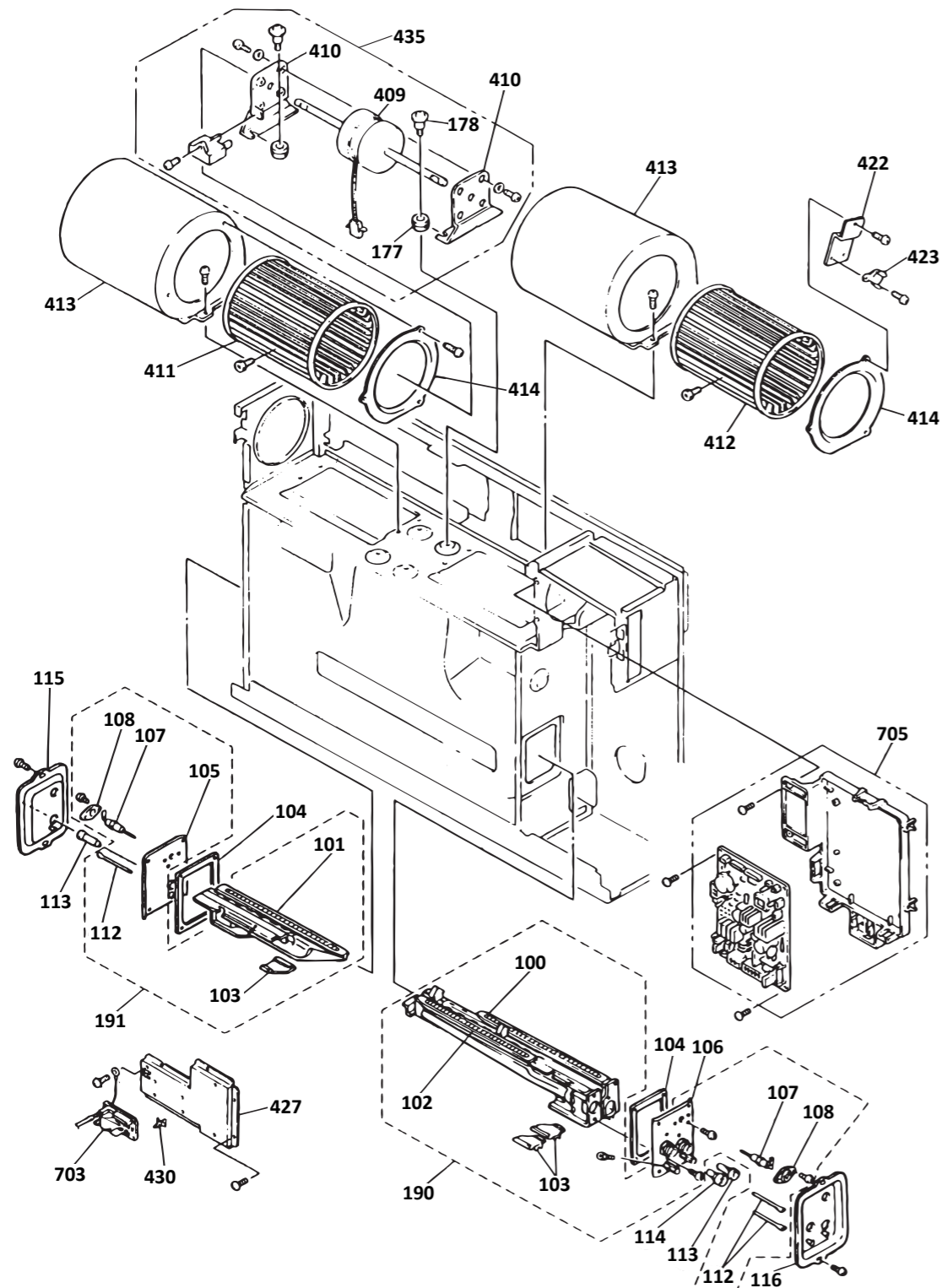
Ref.	Description	Qty.	Part No.
016	Left spacer	1	4341I
017	Right spacer	1	4342I
018	Clips	2	6684
019	Top rear spacer assembly	1	4343I
020	Air filter assembly	2	4806
021	Back spacer support	2	4112
024	Base assembly	2	4251
025	Rubber bracket assembly	2	Not available
026	Rubber base	4	4024
415	Heat shield	1	Not available
416	Sealing material	2	Not available
417	Viewing window panel	2	Not available
418	Insulation sheeting	1	Not available
419	Overheat thermistor cover	1	Not available
420	Electrode viewing panel	1	Not available
-	Electrode cover	1	4293
422	OHS bracket	1	Not available
424	Water level indicator	1	Not available
425	Water level label	1	Not available
426	Humidifier tray	1	4038

This diagram is provided to assist you to identify parts if replacement is necessary. Contact your place of purchase or the manufacturer to enquire about parts, availability and/or service.



Ref.	Description	Qty.	Part No.
107	Flame rod	3	4299
109	Electrode	1	4310
110	Electrode clip bracket	1	Not available
111	Electrode seal packing	1	Not available
137	Combustion chamber assembly	1	4819
138	Air intake seal	1	4093
139	Glass window packing	2	4196
140	Viewing window glass	2	4197
141	Glass clip	2	Not available
142	Blanking panel	1	Not available
143	Thermistor bracket	1	Not available
144	Heat exchanger No.1 assembly	1	10350
147	Heat exchanger No.2 assembly	1	10351
148	Lock spacer	1	Not available
149	Heat exchanger support bracket A	1	Not available
150	Heat exchanger support bracket B	1	Not available
151	Heat exchanger support bracket B assembly	1	Not available
152	Heat exchanger support bracket sleeve	2	Not available
173	Sound absorbent material bracket	2	Not available
174	Sound absorber	2	10477
431	Thermistor holder	1	Not available
432	Power cord fixing bracket	1	Not available
712	Thermistor harness assembly	1	4843

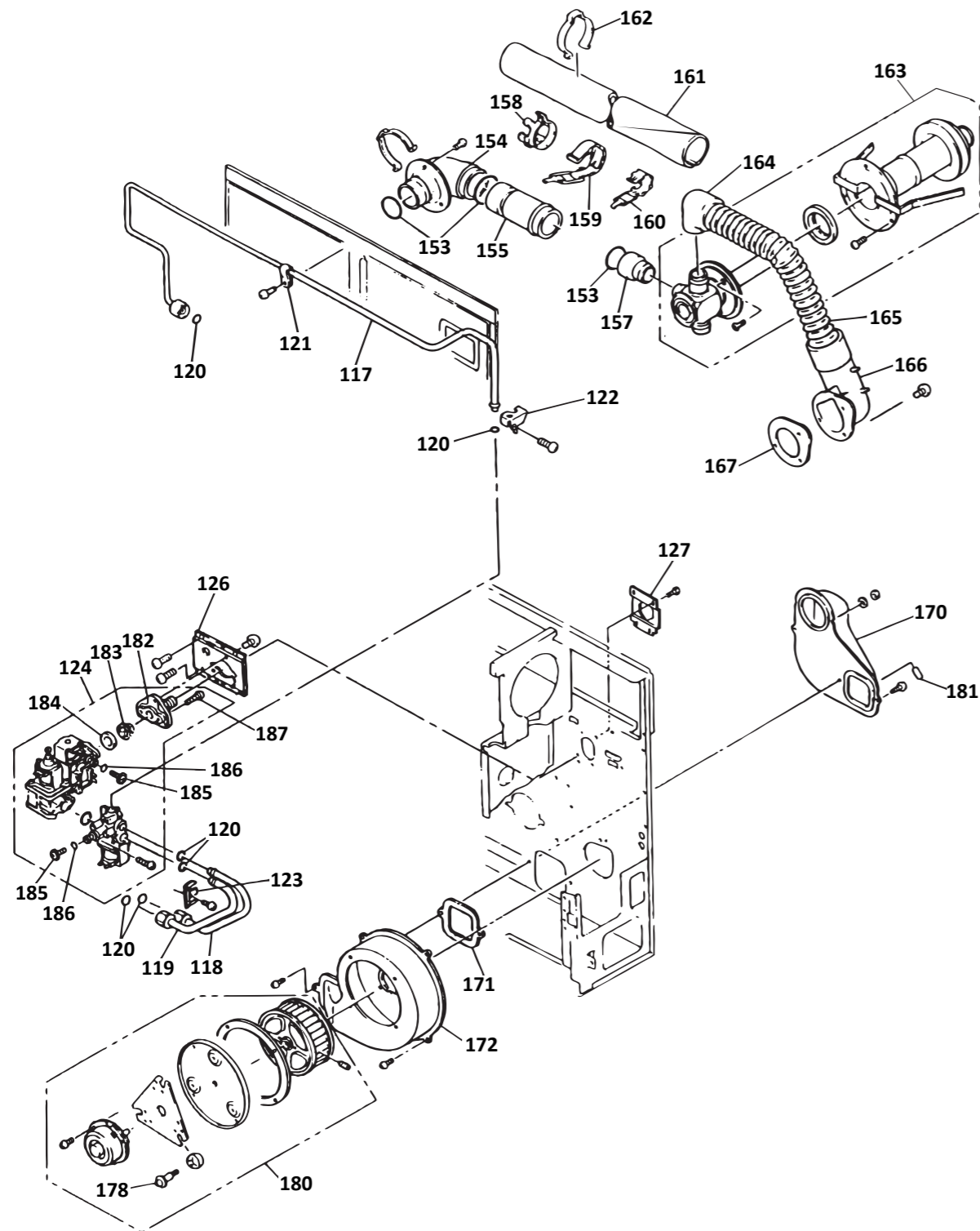
This diagram is provided to assist you to identify parts if replacement is necessary. Contact your place of purchase or the manufacturer to enquire about parts, availability and/or service.



Ref.	Description	Qty.	Part No.
100	High burner assembly C RH	1	4851
101	High burner assembly C LH	1	4852
102	Low burner assembly	1	4853
103	Damper panel	3	Not available
104	Burner bracket packing	2	Not available
105	Left burner bracket	1	Not available
106	Right burner bracket	1	Not available
107	Flame rod	3	4299
108	Flame rod support	2	3068
112	Aeration rod	3	4097
113	High injector NG	2	4807
113	High injector LPG	2	4808
114	Low injector NG	1	4809
114	Low injector LPG	1	4810
115	Burner shield RH	1	Not available
116	Burner shield LH	1	Not available
177	Mounting rubber	4	4364
178	Fan securing screw	7	Not available
190	Burner assembly complete RH	1	Not available
191	Burner assembly complete LH	1	Not available
409	Convection fan motor	1	4830
410	Convection fan motor bracket	1	Not available
411	Convection fan drum LH	1	4831
412	Convection fan drum RH	1	4832
413	Fan casing assembly	2	Not available
414	Bell mouth	2	Not available
422	OHS bracket	1	Not available
423	OHS	1	4833
427	Spark generator backing plate	1	Not available
430	Securing clip (spacer)	4	2366
435	Convection fan assembly	1	4860
703	Spark generator	1	2958
705	PCB unit assembly	1	4838

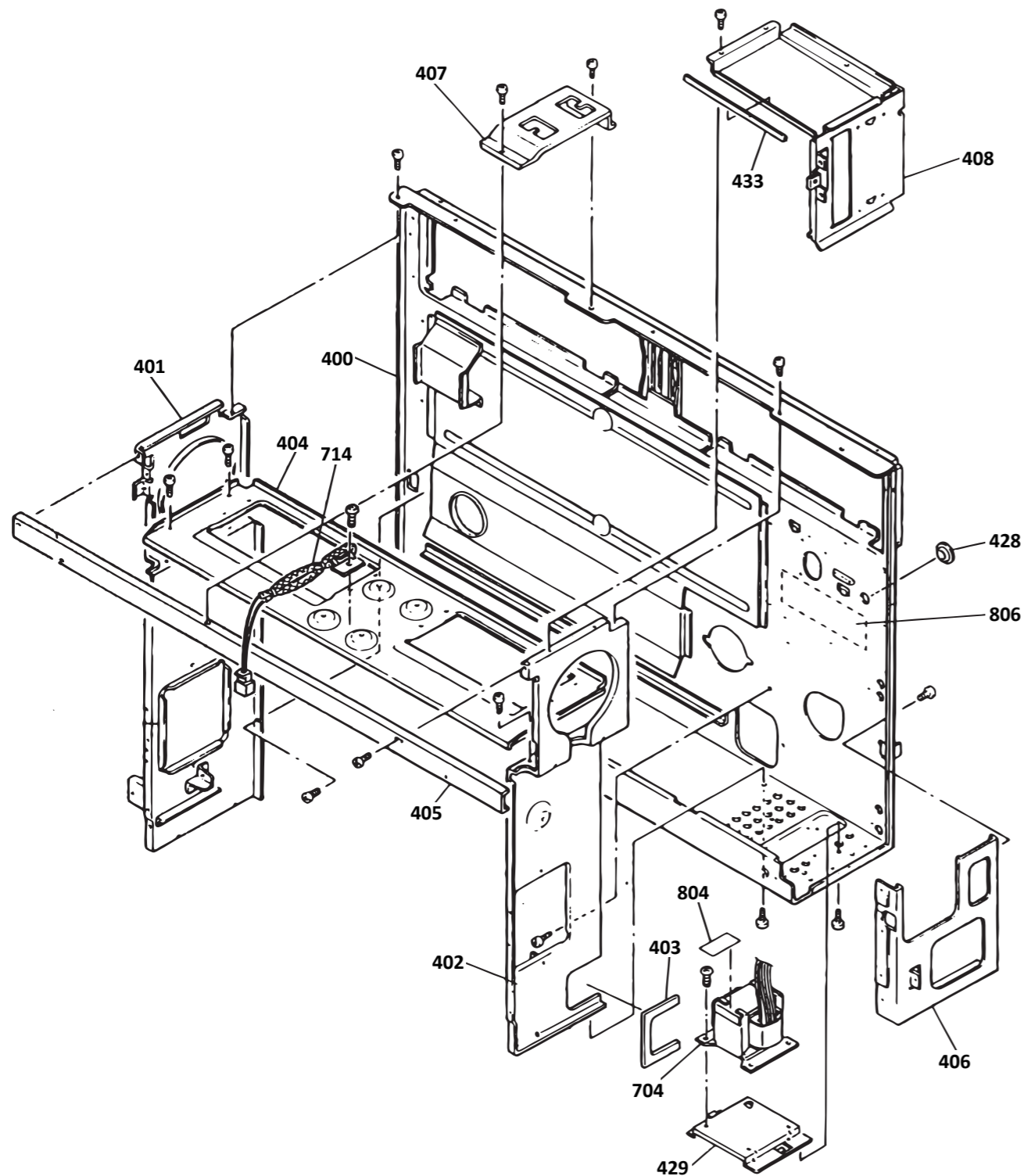


This diagram is provided to assist you to identify parts if replacement is necessary. Contact your place of purchase or the manufacturer to enquire about parts, availability and/or service.



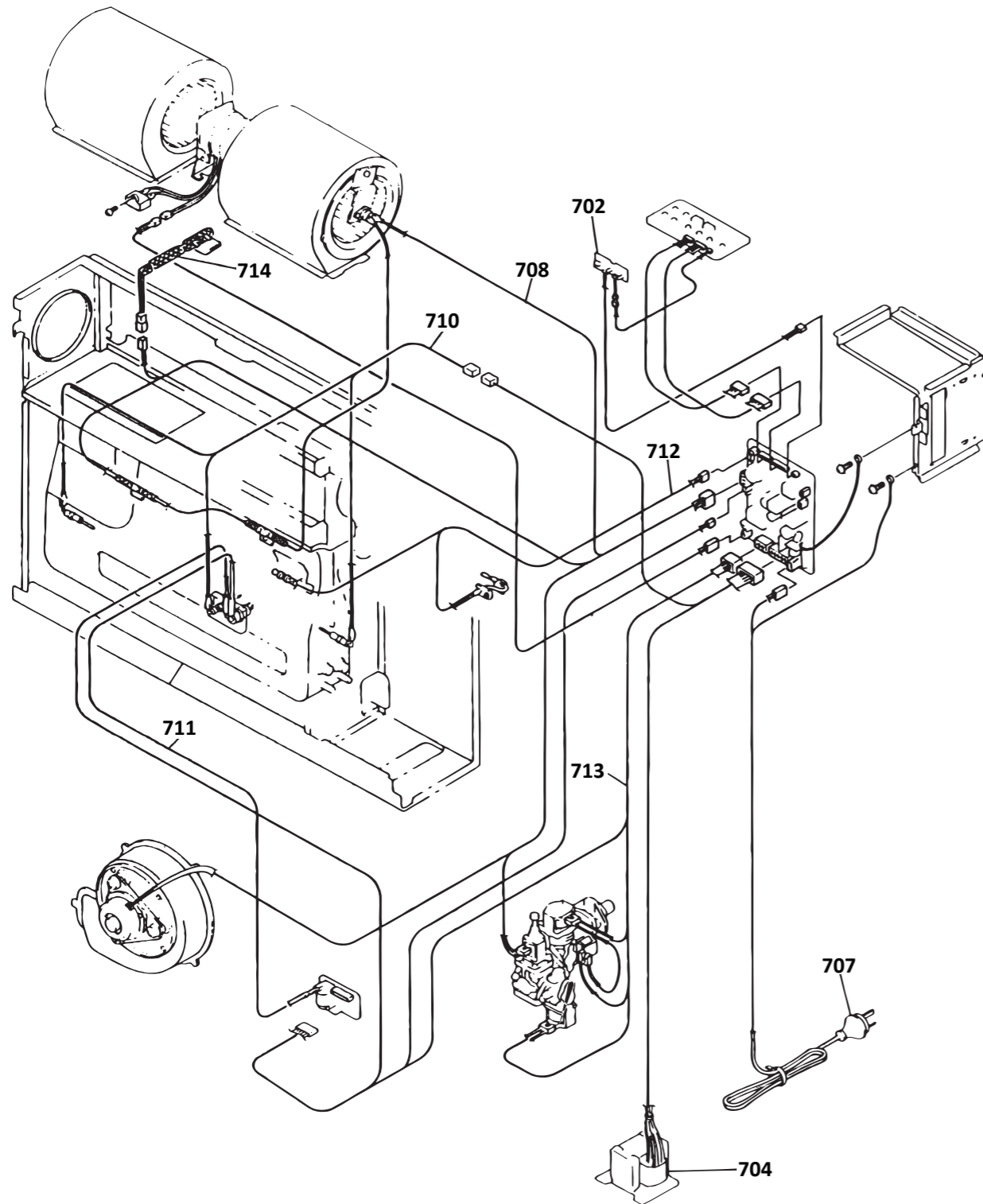
Ref.	Description	Qty.	Part No.
117	Gas supply tube - left	1	4811
118	Gas supply tube - right rear	1	4812
119	Gas supply tube - right front	1	4813
120	O-ring	6	4814
121	Securing bracket	1	0
122	Gas supply clip	1	4815
123	Gas supply clip	1	4816
124	Gas control assembly C	1	4818
126	Valve bracket	1	Not available
127	Locking bracket	1	Not available
153	O-ring	3	4850
154	Flue elbow assembly	1	4007
155	Flue slide tube	1	4326
157	Flue adaptor assembly	1	4821
158	Flue clamp and screw	1	R4822
159	Flue clamp A	1	4823
160	Flue clamp B	1	4824
161	Flue sock	1	4825
162	Flue sock stopper	1	4318
163	Standard mushroom flue assembly	1	Not available
164	Air inlet elbow	1	Not available
165	Air inlet elbow flexible hose	1	4327
166	Plastic inlet house	1	4826
167	Air inlet seal	1	4827
170	Air intake duct	1	Not available
171	Combustion fan casing seal	1	4043
172	Combustion fan casing assembly	1	Not available
178	Fan securing screw	7	Not available
180	Combustion fan assembly	1	4828
181	Rubber cap	1	Not available
182	Flange	1	4829
183	Gas filter	1	4225
184	Rubber packing	1	10290
185	Test point screw	2	2239
186	O-ring	2	Not available
187	Small phillips head screw	2	Not available

This diagram is provided to assist you to identify parts if replacement is necessary. Contact your place of purchase or the manufacturer to enquire about parts, availability and/or service.



Ref.	Description	Qty.	Part No.
400	Rear panel	1	4126
401	Left frame assembly	1	Not available
402	Right frame assembly	1	Not available
403	Warm air seal packing	1	Not available
404	Convection fan support	1	Not available
405	Top panel support	1	Not available
406	Frame corner	1	Not available
407	Top panel reinforcement	1	Not available
408	Control panel bracket	1	Not available
428	Seal cap	1	Not available
429	Transformer bracket	1	Not available
433	Control panel bracket edging	1	Not available
704	Transformer	1	4837
714	Thermal fuse harness assembly	1	4845
804	Caution label - electrical	1	Not available
806	NG sticker	1	Not available
806	LPG sticker	1	Not available

This diagram is provided to assist you to identify parts if replacement is necessary. Contact your place of purchase or the manufacturer to enquire about parts, availability and/or service.



Ref.	Description	Qty.	Part No.
702	Indicator PCB assembly	1	4835
704	Transformer	1	4837
707	Power cord assembly	1	4839
708	Convection fan motor harness	1	4840
710	Flame rod harness assembly	1	4841
711	High tension cord assembly	1	4842
712	Thermistor harness	1	4843
713	Solenoid valve harness assembly	1	4844
714	Thermal fuse harness assembly	1	4845
<b>Not shown in exploded diagram</b>			
-	Remote control (Please note: CR2025 cell battery not included)	1	13100
-	Remote control holder	1	4539
-	Keys	1	3516
-	Surge arrestor	1	3212
-	Harness surge arrestor 2001	1	3213
<b>Flueing related</b>			
-	Fixing strap	1	9830
-	Spiral spacer	1	9833
-	Plastic condensate tube	1	9835
-	Vertical flue cowl Voumard (in-wall & thru-wall flue only)	1	3232
-	Transition box manifold assy. (thru wall flue only)	1	1004
-	Transition box manifold assy. (in-wall flue only)	1	1003
-	Header plate top flue support (in-wall flue only)	1	9831
-	Appliance flue joiner clip (in-wall flue only)	1	9834
-	O-ring (for ESPIPE900 & ESDFK)	1	4350
-	Spacer (for ESPIPE900 & ESDFK)	1	4351