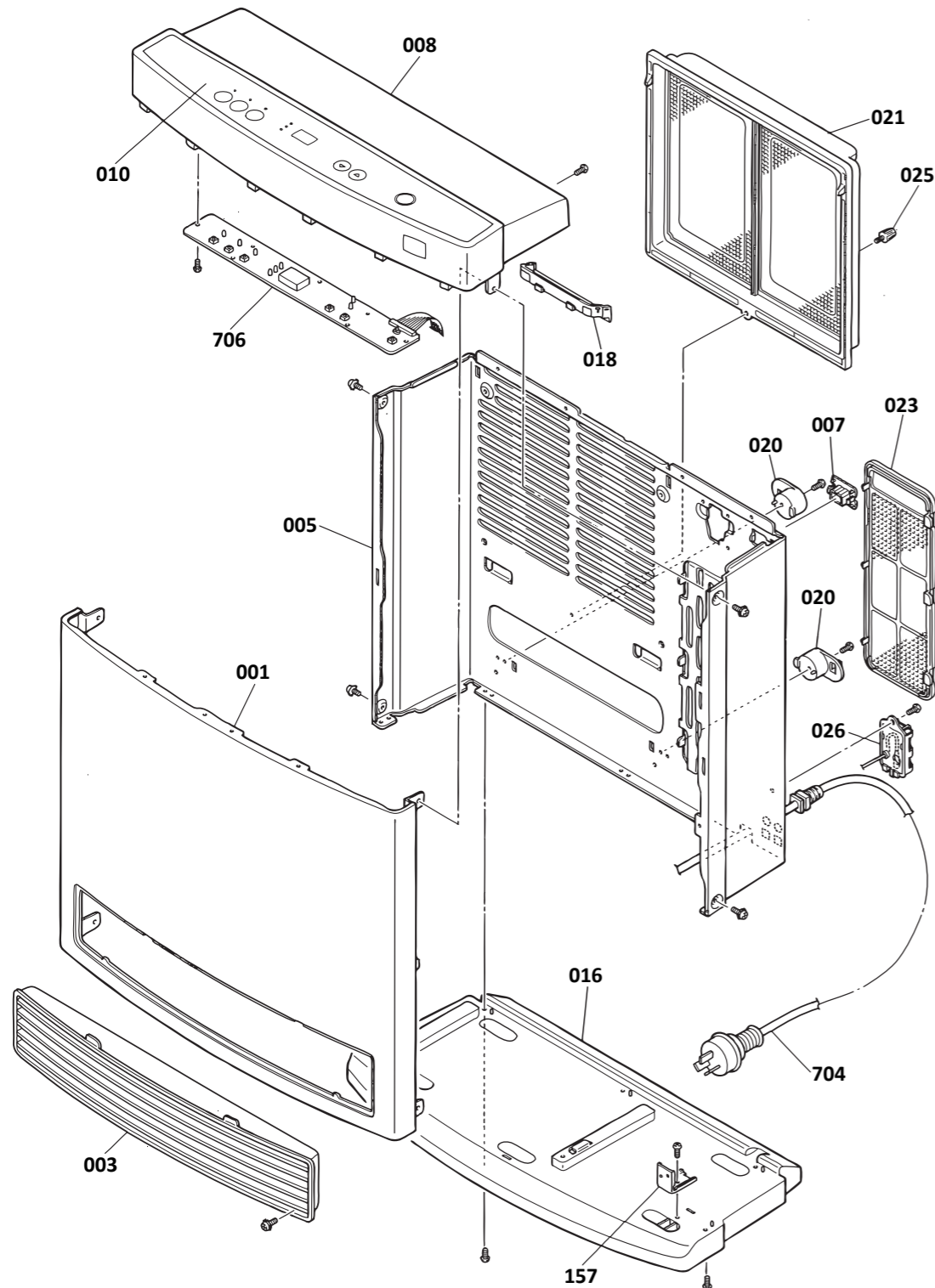


Portable convector Enduro (RCE371H) heater

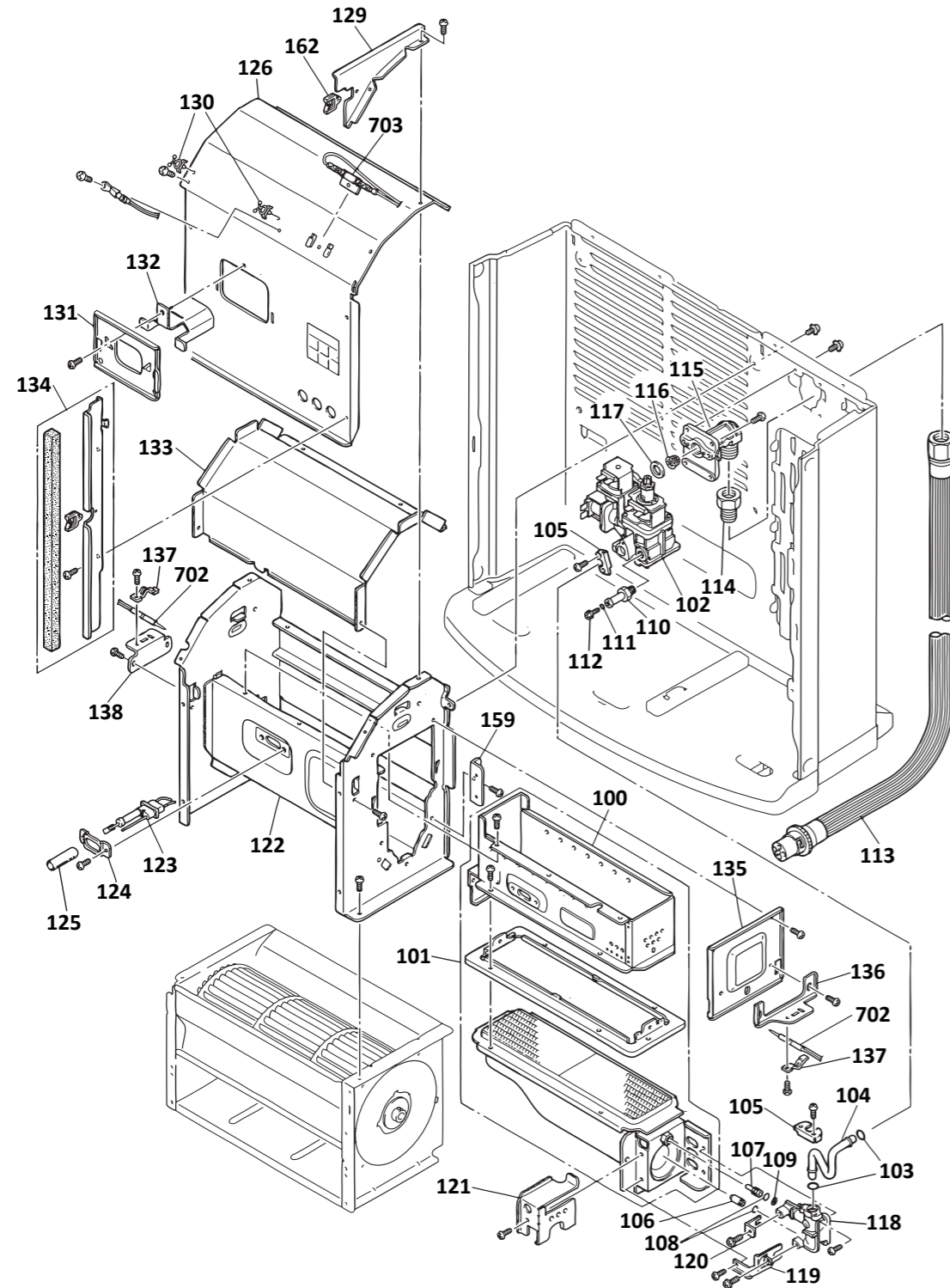
This diagram is provided to assist you to identify parts if replacement is necessary. Contact your place of purchase or the manufacturer to enquire about parts, availability and/or service.



Ref.	Description	Qty.	Part No.
(SI) = stocked item			
001	Front panel white	1	5588
001	Front panel silver	1	5589
003	Air discharge white	1	5615
003	Air discharge silver	1	5613
005	Rear panel white	1	5577
005	Rear panel silver	1	5578
007	Thermocouple check holder	1	5619
008	Top panel assembly white (with 010, 018, 706)	1	5572 (SI)
008	Top panel assembly silver (with 010, 018, 706)	1	5573
010	Control panel overlay	1	5605
016	Base panel white	1	5580
016	Base panel silver	1	5581
018	Handle cover	1	5621
020	Power cord holder white	2	6445 (SI)
020	Power cord holder silver	2	1773 (SI)
021	Air filter	1	5584
023	Plastic filter white	1	2095 (SI)
023	Plastic filter silver	1	5585 (SI)
025	Plastic head filter screw	1	5658
026	Thermistor cover	1	5616
157	Louvre fixing bracket	1	5667
704	Power cord assembly	1	5648
706	Control board (part of top panel assembly)	-	-

Portable convector Enduro (RCE371H) heater

This diagram is provided to assist you to identify parts if replacement is necessary. Contact your place of purchase or the manufacturer to enquire about parts, availability and/or service.

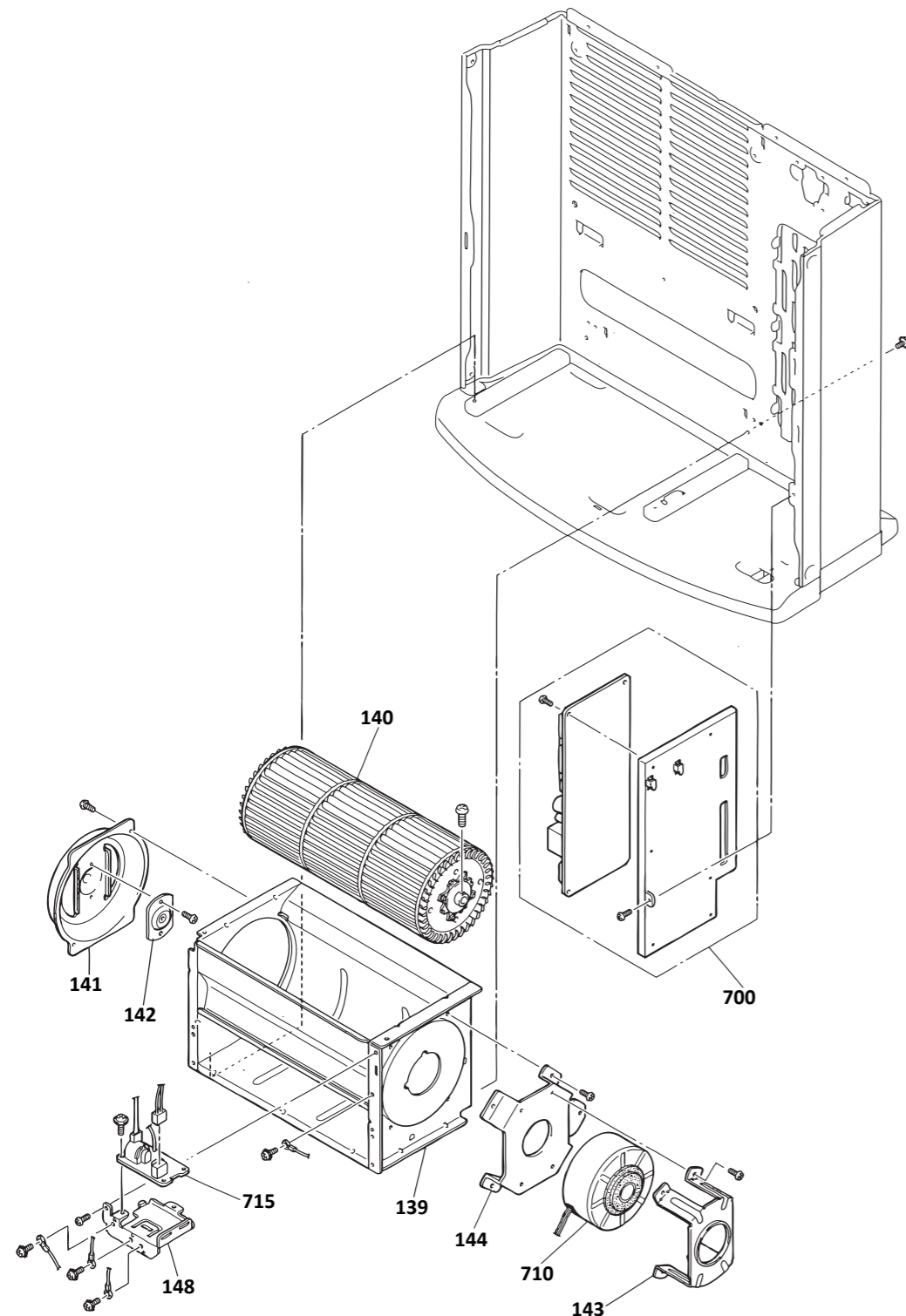


Ref.	Description	Qty.	Part No.
(SI) = stocked item			
100	Burner surround	1	5601
101	Burner assembly	1	5636
102	Magnet modulating valve assy.(with 010, 011, 112)	1	5623 (SI)
103	O-ring (M10B-1-8, 10 pieces)	2	6642 (SI)
104	Connecting tube	1	5622
105	Connection tube clip	2	2524 (SI)
106	Main injector NG	1	5628
106	Main injector LPG	1	5626
107	Pilot injector NG	1	5630
107	Pilot injector LPG	1	5631
108	O-ring (M10B-1-5, 10 pieces)	2	1142 (SI)
109	Injector filter	1	5583
110	Pressure point	1	5657
111	O-ring (M10B-13-4, 10 pieces)	1	2239 (SI)
112	Test point screw (5 pieces)	1	3564 (SI)
113	Rinnai 10 mm mushroom hose	1	R2586HM (SI)
114	Hose connection bush	1	5065
115	Gas inlet L flange	1	1865 (SI)
116	Gas filter	1	4225 (SI)
117	Packing for gas connection	1	10290 (SI)
118	Injector block	1	5638
119	Injector block tube retainer	1	5666
120	Pilot injector retainer	1	5669
121	Injector regulator plate	1	5634
122	Combustion chamber assy.	1	5612
123	Electrode	1	5646 (SI)
124	Electrode retainer	1	5659
125	Silicon tube	1	5660
126	Combustion chamber hood	1	5599
129	Upper partition plate	1	5661

Ref.	Description	Qty.	Part No.
130	Cable clip	2	6698 (SI)
131	Combustion chamber hood cover	1	5594
132	Heat insulation plate	1	5592
133	Hood deflection plate	1	5665
134	Partition plate assembly	1	5663
135	Burner cover	1	5593
136	TC2 mounting plate	1	5673
137	Thermocouple clamp	2	2288 (SI)
138	Thermocouple bracket	1	5674
159	Bracket burner cover	1	5617
162	Edge protector	1	1880 (SI)
702	Thermocouple assembly	2	5624 (SI)
703	Thermal fuse harness	1	5654

Portable convector Enduro (RCE371H) heater

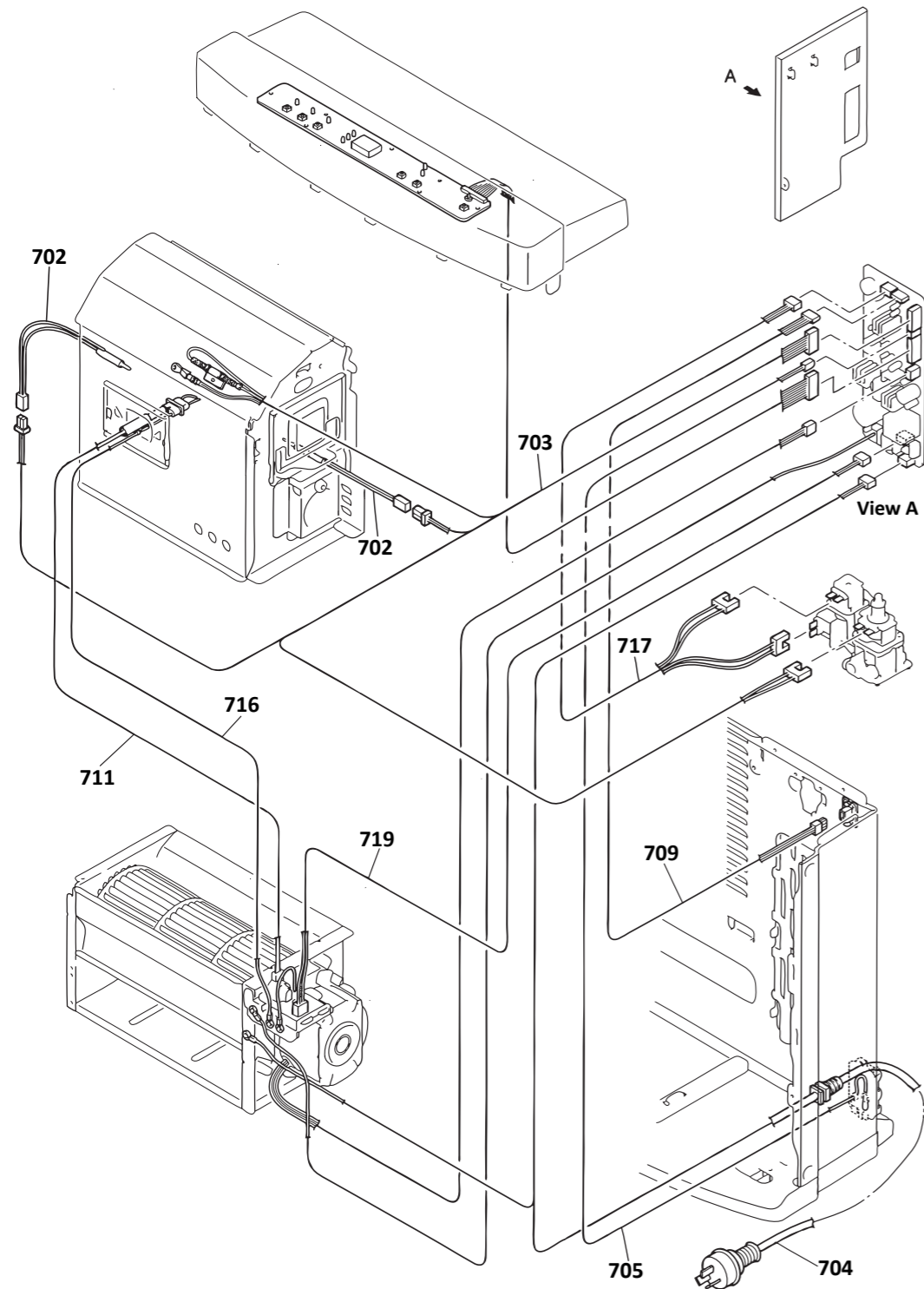
This diagram is provided to assist you to identify parts if replacement is necessary. Contact your place of purchase or the manufacturer to enquire about parts, availability and/or service.



Ref.	Description	Qty.	Part No.
(SI) = stocked item			
139	Fan casing assembly	1	5620
140	Convection fan scroll	1	5595 (SI)
-	Convection fan assembly	1	5607 (SI)
141	Fan end housing	1	5609
142	Fan scroll mount	1	5610 (SI)
143	Fan motor fixing plate A	1	5671
144	Fan motor fixing plate B	1	5672
148	Spacer fixing bracket	1	5668
700	PCB unit assembly	1	5643 (SI)
710	Convection fan motor	1	5650 (SI)
715	Sparker assembly	1	5652 (SI)

Portable convector Enduro (RCE371H) heater

This diagram is provided to assist you to identify parts if replacement is necessary. Contact your place of purchase or the manufacturer to enquire about parts, availability and/or service.



Ref.	Description	Qty.	Part No.
(SI) = stocked item			
702	Thermocouple assembly	1	5624 (SI)
703	Thermal fuse harness	1	5654
704	Power cord assembly	1	5648
705	Thermistor assembly	1	5651 (SI)
709	Thermocouple check lead	1	5649
711	High tension lead	1	5647 (SI)
716	Sparker return harness	1	5653 (SI)
717	Modulating valve harness	1	5655
719	Ignition harness	1	5656