

RINNAI

Reflection Zero Clearance Box

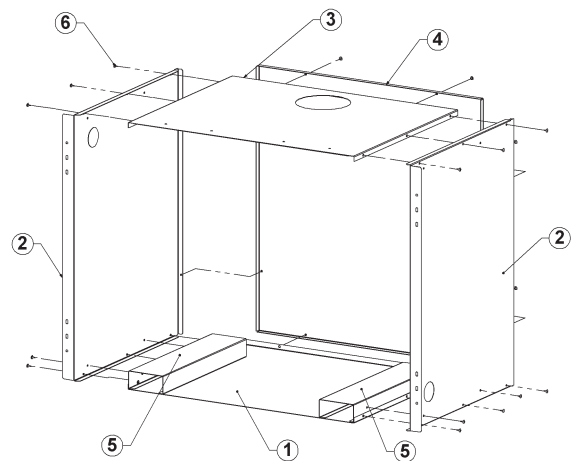
Installation Instructions

Important

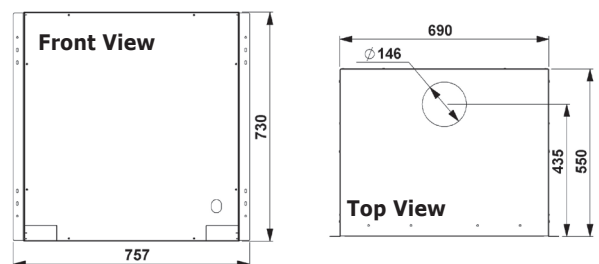
- The Zero Clearance Box is designed to be installed after the drywall
- Installation needs to be on a level base, if this is not done, the appliance may twist and be damaged and will void any product warranty
- Rinnai has 3 Zero Clearance Box variants, ensure you have the correct one before you start by checking against components and drawing below

Instructions and Kit Components (R2785)

1. Lie base panel on the floor with return fold upwards, flat edge is to the front
2. Stand side panels on inside of base panel with large securing fold to the front
3. Slide back panel between side panels ensuring gas inlet hole is in the bottom right corner
4. Place left and right panel supports on the base panel level with the front. Secure through side panels.
5. Place top panel over side and back panels with the flue outlet to the back, the box should now be able to support itself
6. Secure all panels using the screws provided
7. The Zero Clearance Box can now be secured in place using holes provided in the securing folds. The top panel front edge is designed to be screwed upwards into a lintel.
8. Insert twin lined flue, 150mm outer, through the flue opening provided
9. The inner flue should penetrate the box by 50mm. This is to ensure:
 - Any residual heat in the box is ducted away via the 150mm outer
 - When the fire is installed the slip collar can be lowered to connect the fire spigot to the flue
10. The flue installation can now be completed ensuring that the slip collar is connected between the fire spigot and flue, and a terminal installed at the top of the flue



	Code	Component	Qty
1	10944	Base Panel	1
2	10943	Side Panels	2
3	10942	Top Panel	1
4	10945	Rear Panel	2
5	10946	Panel Supports	2
6	9020	Screws	24
-	7701	35mm White Edge Protector*	1



* Edge protector is to protect the power cord and control harness from the steel edges if wiring is routed through the knock-outs in the sides

Customer Contacts

For more information about buying, living and servicing of Rinnai appliances call:

- Consumers 0800 RINNAI (0800 746 624)
- Installers 0800 TO RINNAI (0800 86 746 624)

Rinnai New Zealand Limited

105 Pavillion Drive
Airport Oaks PO Box 53177
Mangere Auckland Airport
Manukau Manukau 2150

Phone: (09) 257 3800
Fax: (09) 257 3899

Email: info@rinnai.co.nz
Website: www.rinnai.co.nz

All Rinnai appliances meet or exceed the safety standards required by New Zealand gas and electrical regulations.

Rinnai is constantly improving its products and as such specifications are subject to change or variation without notice.

RINNAI Reflection Zero Clearance Box



PART NUMBER: 10947
Issue: B