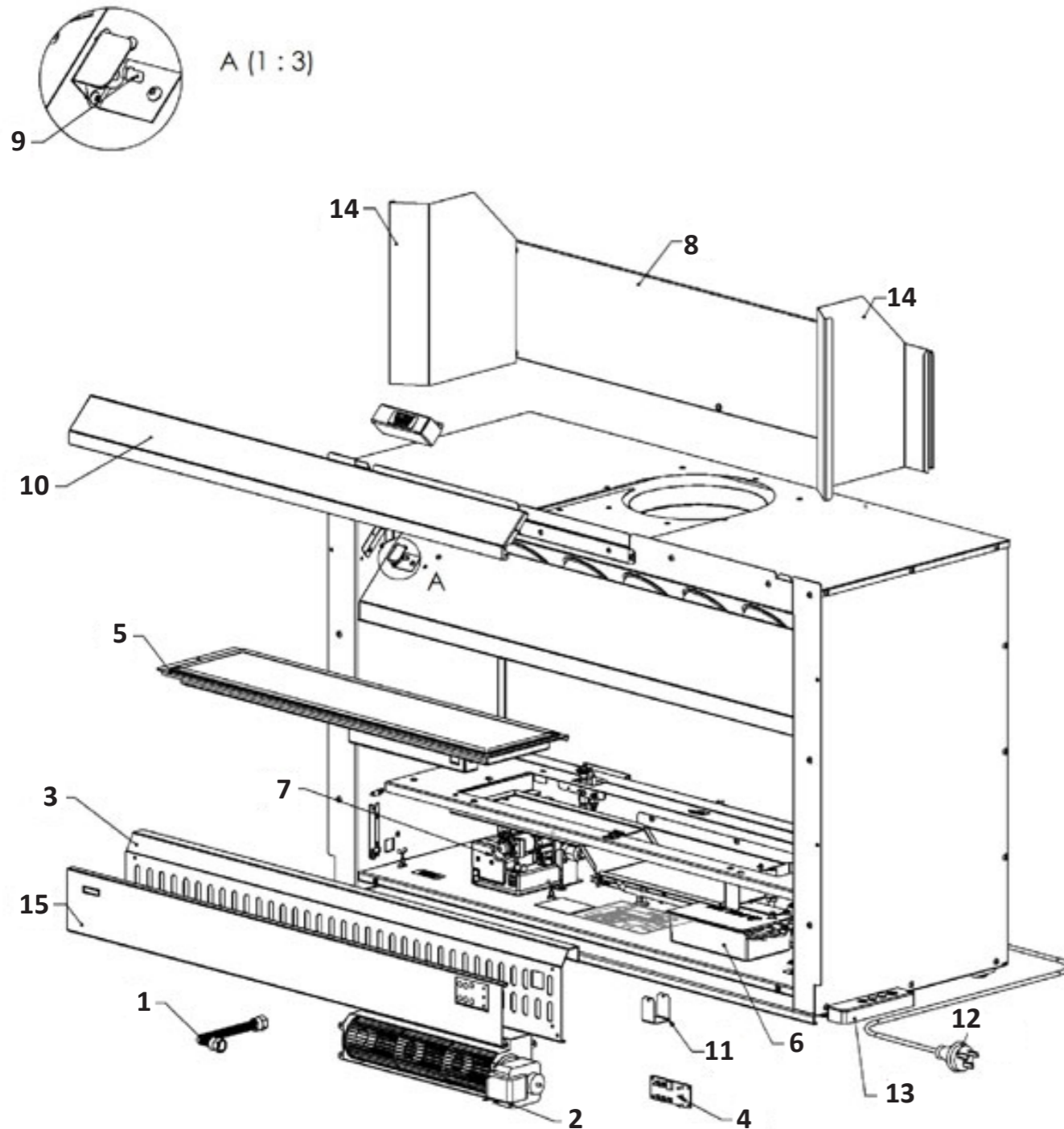


This diagram is provided to assist you to identify parts if replacement is necessary. Contact your place of purchase or the manufacturer to enquire about parts, availability and/or service.

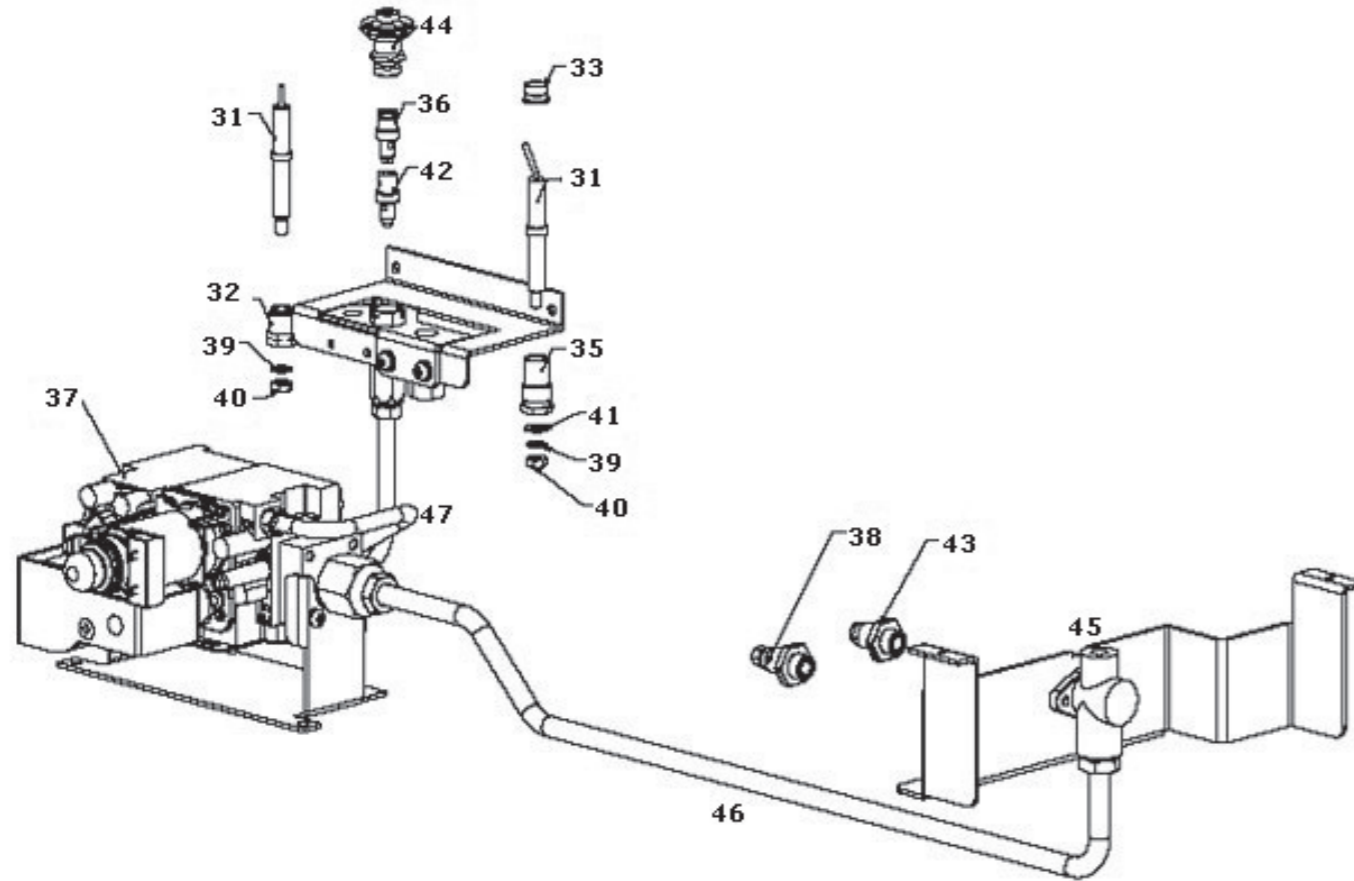


Ref.	Description	Part No.
1	Flexitube (3/8x 8 CW 5/818 nuts)	7835
2	Fan kit 10100X1	R1903
3	Inner front panel viper	10605V
4	Control panel receiver	10632
5	Burner assembly black	10602B
6	Control Unit IR	11645
7	Ignition pack	12760
8	Reflector rear assembly	10619
9	OH switch (150 oC ES-01178)	2506
10	Louvre top - black	10622B
11	Aeration bracket - NG	10647
12	Power cord black	6765B
13	Remote control	WG0102
14	Reflector set	10628
15	Outer front panel assembly	10627V

**Not shown in diagram**

-	Harness	10300
-	Cable Cat5 x 500 mm	10631
-	Wiring harness - main For units with serial no. from and including 10191 11/10	10640
-	Ignition lead	10644
-	Flame rod lead	10645
-	Harness OH switch	10654
-	OH switch adaptor	11594

This diagram is provided to assist you to identify parts if replacement is necessary. Contact your place of purchase or the manufacturer to enquire about parts, availability and/or service.



Ref.	Description	Part No.
31	Electrode x 2 (One is used for the flame rod)	7875
32	Electrode nut (SIT)	7876
33	Spacer electrode pilot	7902
35	Electrode nut	7900
36	Pilot injector LPG 35	7873
37	Gas control (Sigma 845 SIT)	10600
38	Main injector LPG (Injector Bray 420 Cats23 single)	10643
39	Washer spring M4 ZP	9233
40	Nut M4 ZP	9186
41	Washer flat M4 ZP	9231
42	Pilot injector NG 62	7872
43	Main injector (Injector Bray 1150 Cat23 single)	10642
44	Pilot convertible hood 2-flame	7871
45	Injector block	7952
46	Gas supply tube	10615
47	Pilot tube	10639
<b>Not shown in diagram</b>		
-	Cross lighting bracket	10648
<b>Accessory items (not shown)</b>		
-	Lumina 1000 silver fascia	R2800
-	Lumina 1000 black fascia	R2801
-	Black touchup paint for Lumina	R1885
-	Spacer (also known as the spider, connects the flue and gas cowl)	R2311
-	Granule pack	2544