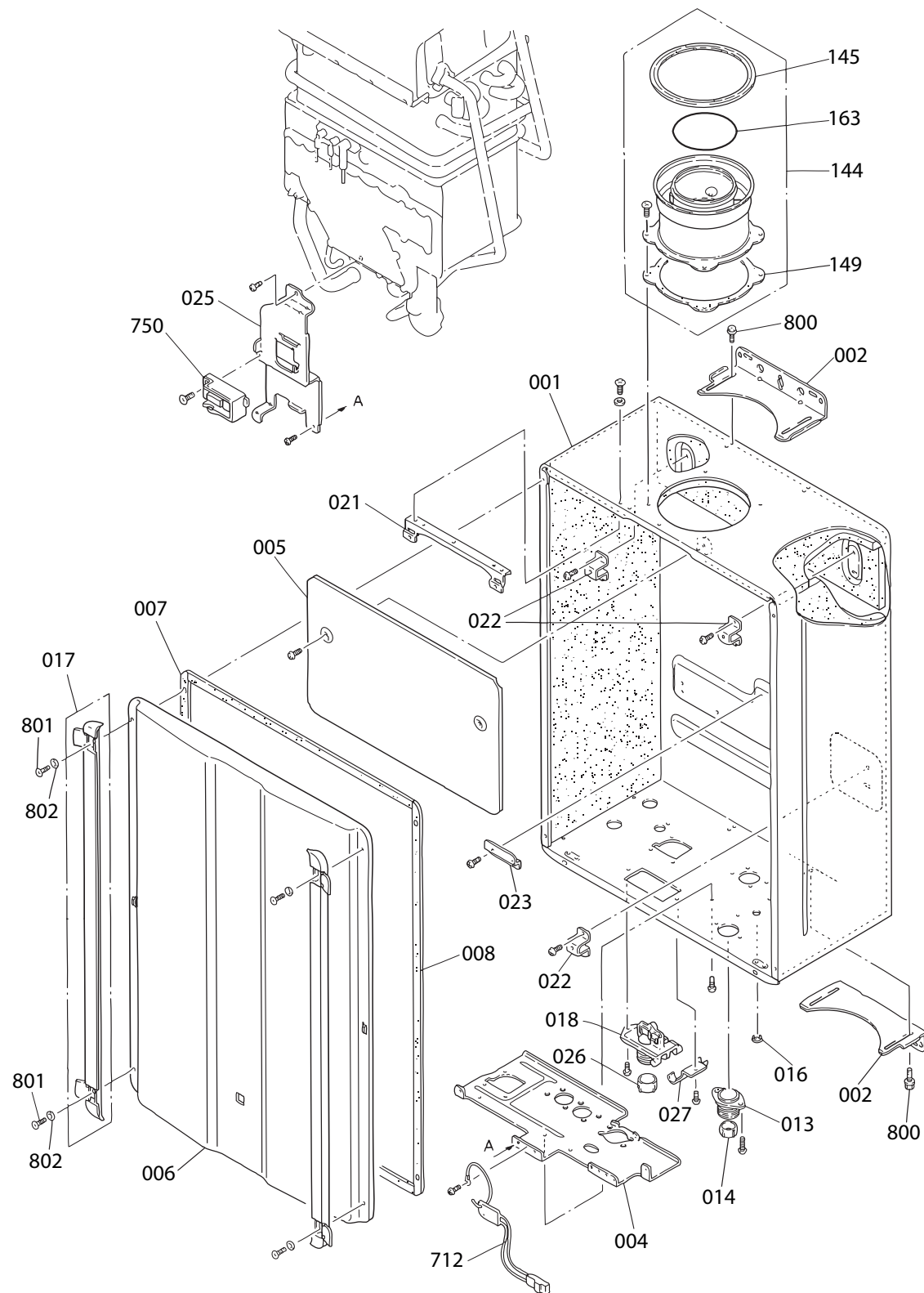


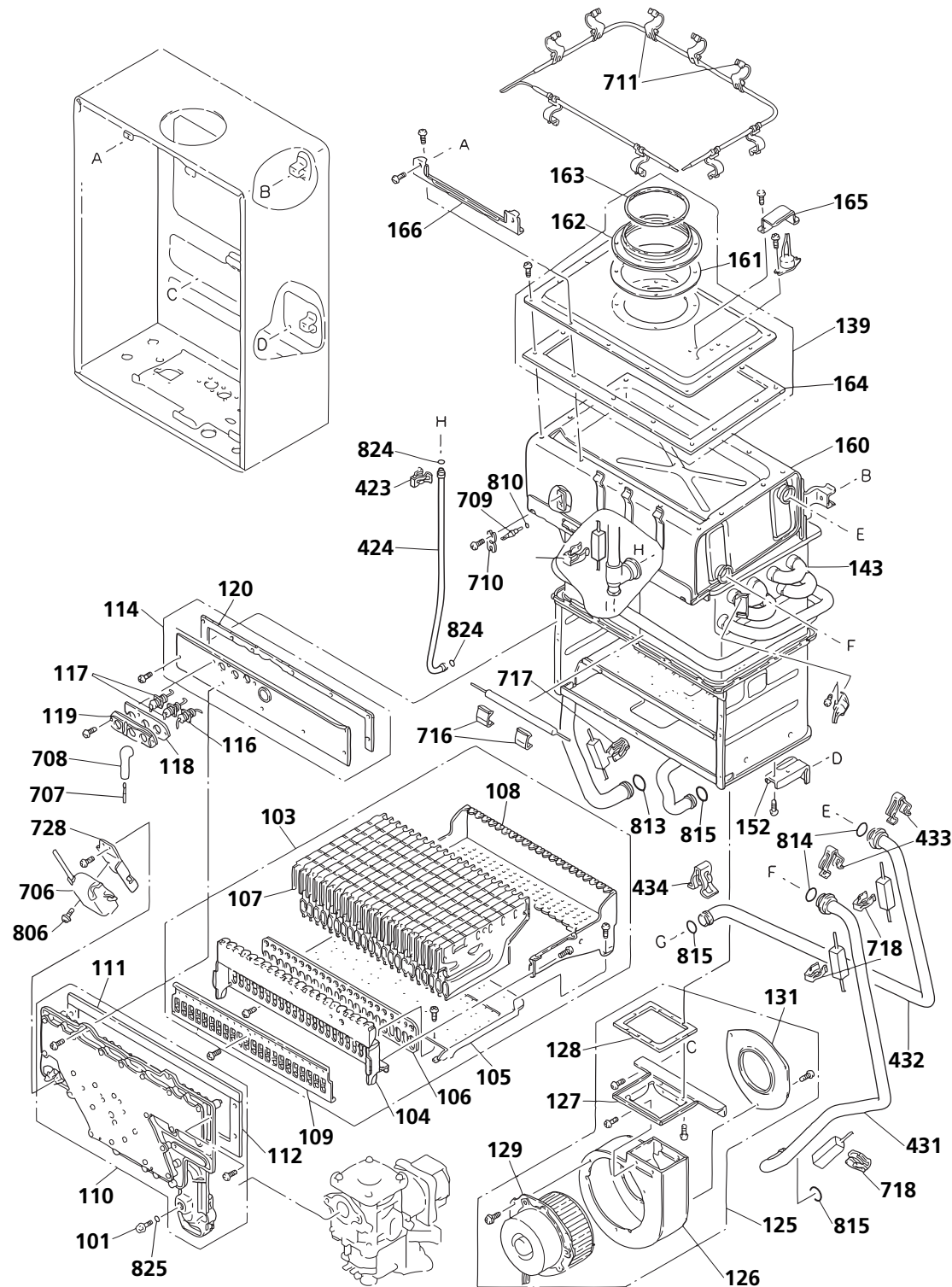
This diagram is provided to assist you to identify parts if replacement is necessary. Contact your place of purchase or the manufacturer to enquire about parts, availability and/or service.



Ref.	Description	Qty.	Part No.
001	Main body (outer case)	1	5742
002	Wall bracket	2	5743
004	Connection reinforcement panel	1	5678
005	Heat protection plate	1	3294
006	Front panel	1	5744
007	Panel packing top & bottom	1	5679
008	Panel packing side	2	5680
013	Cable connection	1	3896
014	Cable seal packing	1	2928
016	Seal packing	1	2898
017	Trim cover assy.	2	5683
018	Quick control connection	1	5684
021	Reinforcement bracket	1	5686
022	Attachment bracket	3	5687
023	Reinforcement bracket	1	3303
025	Status monitor bracket	1	5688
026	Cable seal packing	1	3551
027	Connection fixing plate	1	3311
144	Flue assembly	1	5748
145	Seal ring	1	4978
149	Exhaust pipe fixing packing	1	5749
163	O-ring	1	4977
712	Frost sensing switch - E	1	3358
750	Status monitor assy.	1	2853
800	Screw	8	4766
801	Front panel screw	2	5738
802	Washer	2	5739

INFINITY EFi250 internal (REU-KM3237FFUD-ZK)

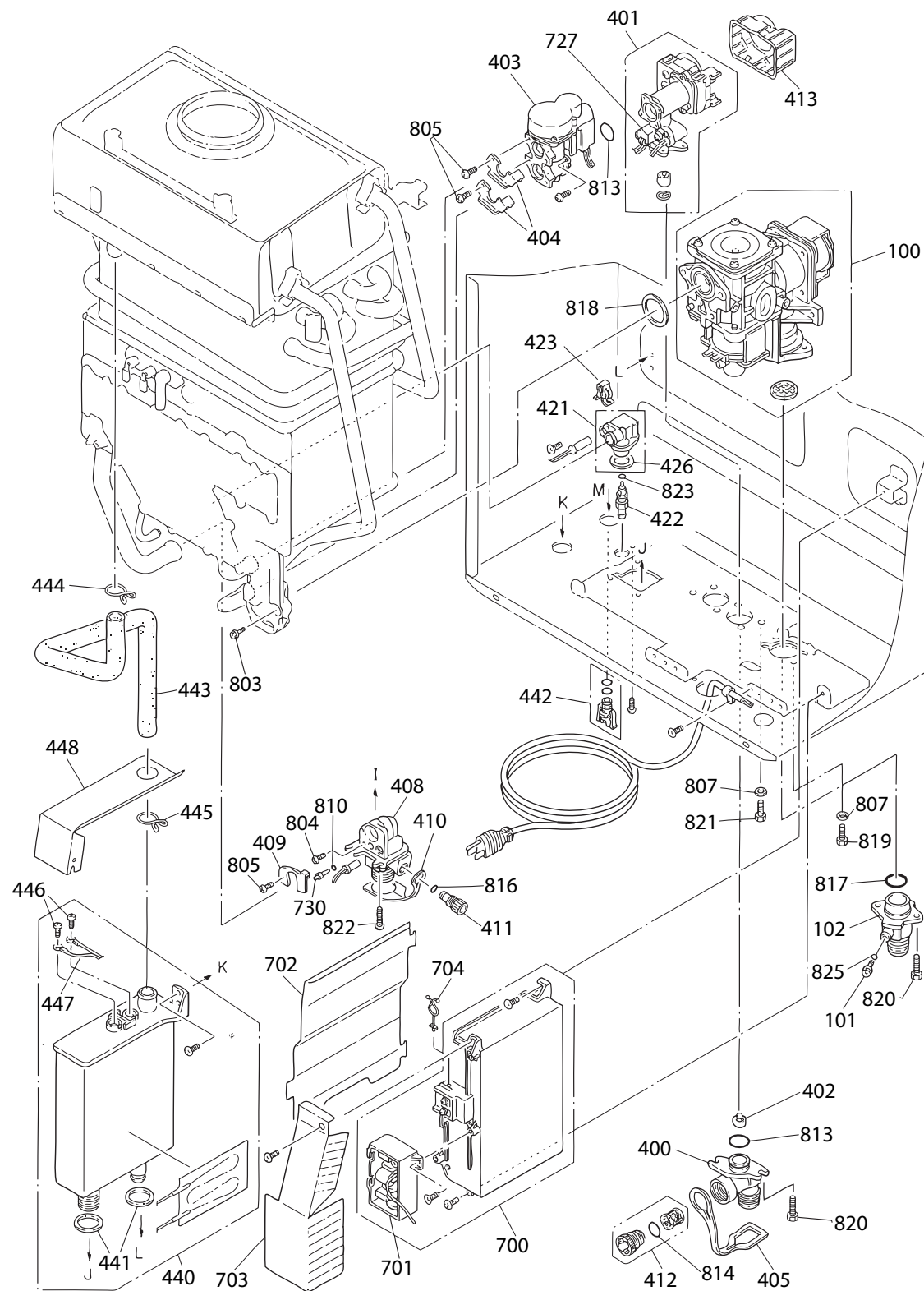
This diagram is provided to assist you to identify parts if replacement is necessary. Contact your place of purchase or the manufacturer to enquire about parts, availability and/or service.



Ref.	Description	Qty.	Part No.
101	Pressure point screw	2	3564
103	Burner unit assy. LPG	1	5690
103	Burner unit assy. NG	1	5691
104	Burner case front panel	1	3318
105	Burner case bottom plate	1	3317
106	Packing	1	3439
107	Burner	1	3440
108	Burner case rear panel	1	3319
109	Damper LPG	1	3337
109	Damper NG	1	5692
110	Manifold assy. NG	1	3372
110	Manifold assy. LPG	1	3373
111	Upper comb. chamber packing	1	3324
112	Lower comb. chamber packing	1	3325
114	Combustion chamber panel	1	5693
116	Electrode	1	3445
117	Flame rod	2	5694
118	Electrode packing	1	5695
119	Electrode holder	1	5696
120	Combustion chamber packing	1	5697
125	Fan motor assy.	1	5745
126	Fan casing assy.	1	3346
127	Fan connection mouth	1	3763
128	Fan connection packing	1	3482
129	Fan motor	1	5699
131	Joint fixing pipe	1	5746
139	Exhaust duct	1	5747
143	Heat exchanger assy.	1	5701
152	Reinforcement bracket	1	5701
160	Secondary heat exchanger	1	5797
161	Exhaust pipe packing	1	5798
162	Exhaust pipe	1	5799

Ref.	Description	Qty.	Part No.
163	O-ring	1	4977
164	Ducting sealing packing	1	5800
165	Over heat switch cover	1	5801
166	Reinforcement bracket	1	5704
423	Quick fastener	1	5289
424	Connecting pipe	1	5710
431	Connecting pipe inlet	1	5712
432	Connecting pipe heat exchanger	1	5713
433	Quick fastener 12.7	1	3561
434	Quick connect fastener	1	5714
706	Ignitor assy.	1	2886
707	High tension lead	1	3651
708	Electrode sleeve	1	3475
709	Thermistor	1	2849
710	Thermistor clip	1	3882
711	Thermistor fuse clip	1	5726
716	Anti frost heater clip	2	3891
717	Anti frost heater clip	1	3536
718	Heater fixing plate	2	2899
728	Ignitor attachment plate	1	5733
806	Tapping screw	1	2896
813	O-ring in/out water	1	3627
814	O-ring water filter	1	1244
815	O-ring heat exchanger outlet	1	3826
824	O-ring	2	1241
825	O-ring	2	2239

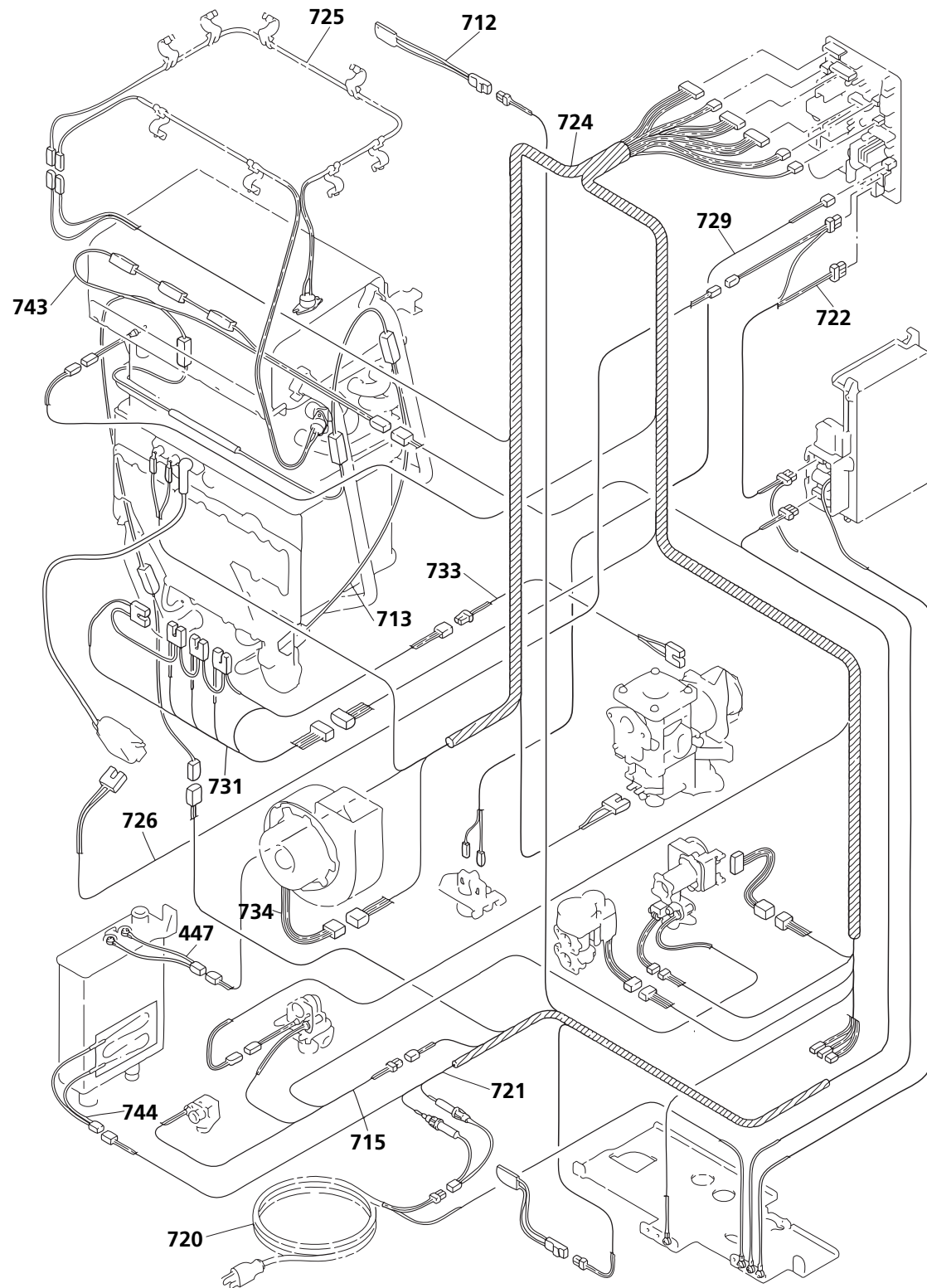
This diagram is provided to assist you to identify parts if replacement is necessary. Contact your place of purchase or the manufacturer to enquire about parts, availability and/or service.



Ref.	Description	Qty.	Part No.
100	Gas controller assy.	1	5689
101	Pressure point screw	1	3564
102	Gas connection	1	3074
400	Water inlet	1	3484
401	Water servo & sensor	1	5705
-	Water flow turbine	1	40256
402	Flow straightener	1	3487
403	Bypass servo assy.	1	3944
404	Stop bracket	1	3624
405	Plug band inlet	1	2927
408	Hot water outlet	1	5706
409	Stop bracket D	1	3948
410	Plug band	1	5707
411	Pressure relief valve	1	3491
412	Incoming water filter	1	3839
413	Servo motor cover	1	5708
421	Condensate drain connection	1	5709
422	Drain valve assy.	1	5252
423	Quick fastener	1	5289
426	Packing washer	1	5711
440	Condensate tank assembly	1	5389
441	Packing washer	1	5715
442	Condensate tank plug	1	5716
443	Condensate drain tube	1	5717
444	Tube band	1	5718
445	Tube band	1	5719
446	Screw	2	5720
447	Connection harness	1	5721
448	Cover	1	5722
700	PCB	1	5898
701	Surge protector	1	4930
702	PCB side cover	1	5724
703	PCB front cover	1	3950
704	Cable clip	1	5725

Ref.	Description	Qty.	Part No.
727	MR sensor	1	5239
730	Twin thermistor	1	5769
803	Screw	1	5740
805	Screw	2	4767
807	Washer	1	5741
810	O-ring thermistor	1	3832
813	O-ring in/out water	1	3627
814	O-ring water filter	1	1244
816	O-ring pressure relief valve	1	1031
817	Infinity gas inlet o-ring	1	3837
818	Packing washer	1	5255
819	Screw	1	4770
820	Screw	1	4771
821	Screw	1	4772
822	Screw	1	4773
825	O-ring	1	2239

This diagram is provided to assist you to identify parts if replacement is necessary. Contact your place of purchase or the manufacturer to enquire about parts, availability and/or service.



Ref.	Description	Qty.	Part No.
447	Connection harness	1	5721
712	Frost sensor harness	1	3358
713	Anti frost heater	1	5727
715	Valve heater assy.	1	5802
720	Power cord	1	3526
721	Fuse harness	1	5803
722	Power harness	1	5730
724	Sensor harness	1	5804
725	Thermal fuse harness assy.	1	5805
726	Ignitor harness	1	4758
729	Remote controller harness	1	2891
731	Solenoid connection harness	1	5734
733	Connection harness	1	5735
734	Fan harness	1	5736
743	Heat exchanger heater	1	5808
744	Heater and harness	1	5737