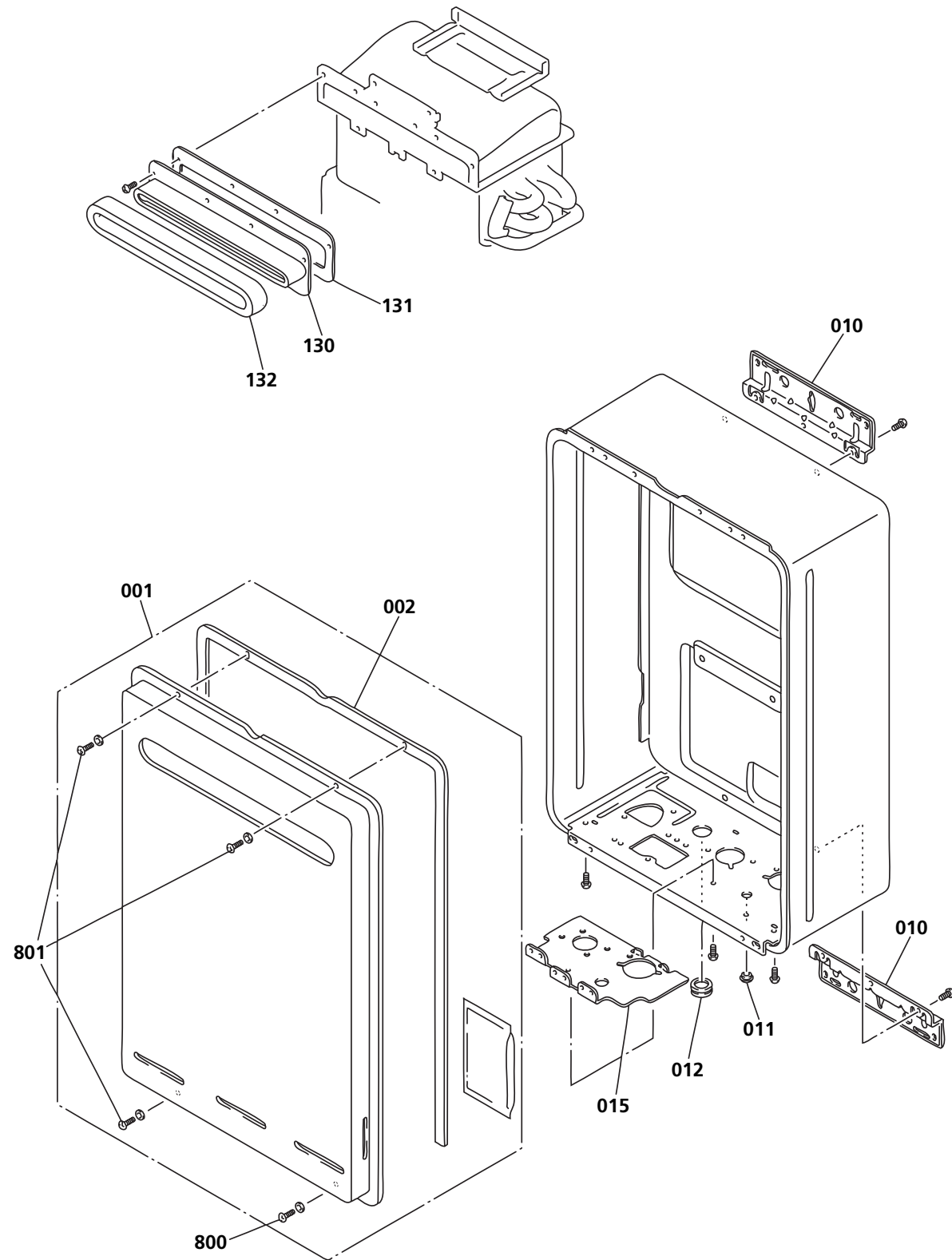
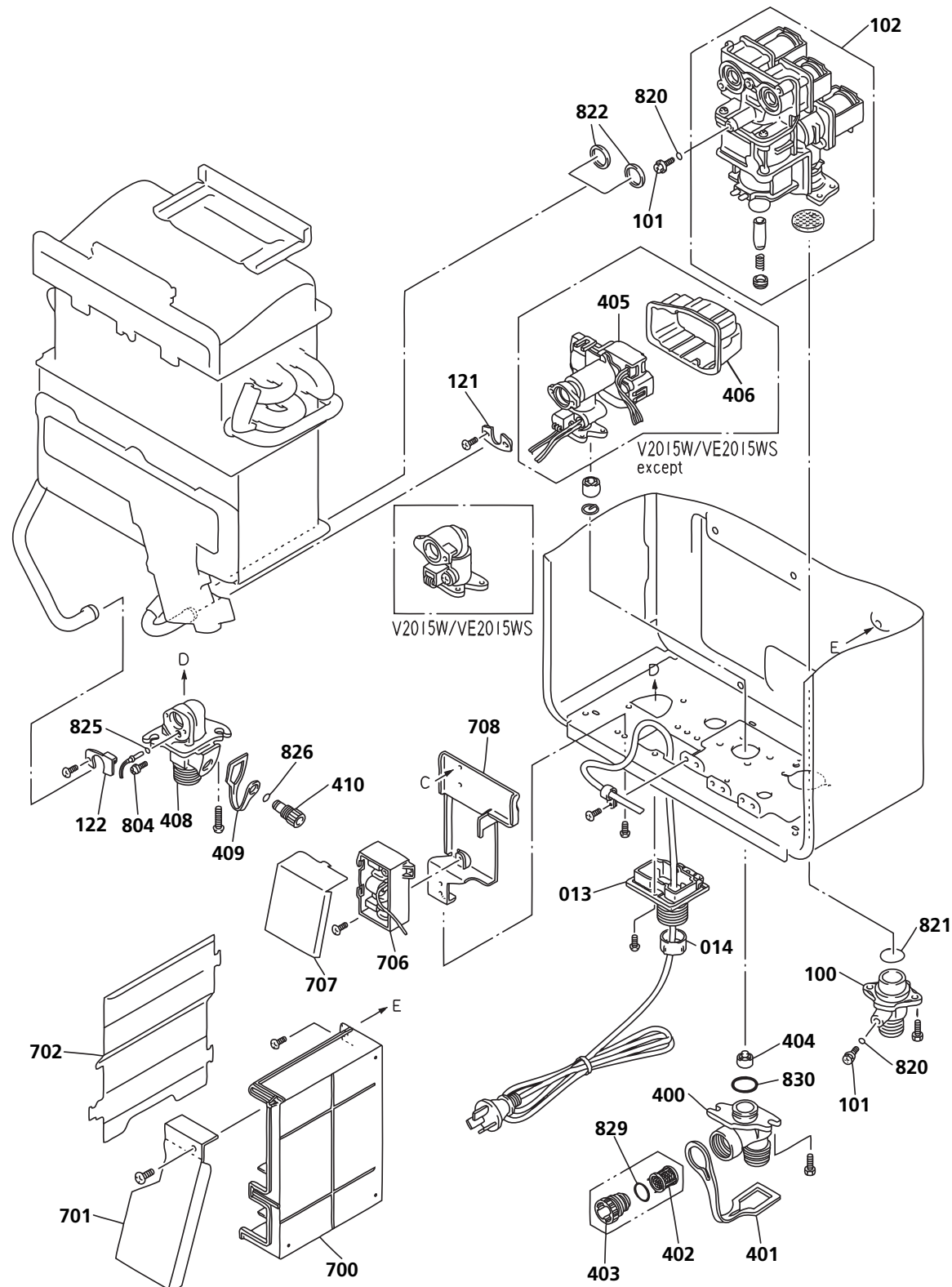


This diagram is provided to assist you to identify parts if replacement is necessary. Contact your place of purchase or the manufacturer to enquire about parts, availability and/or service.



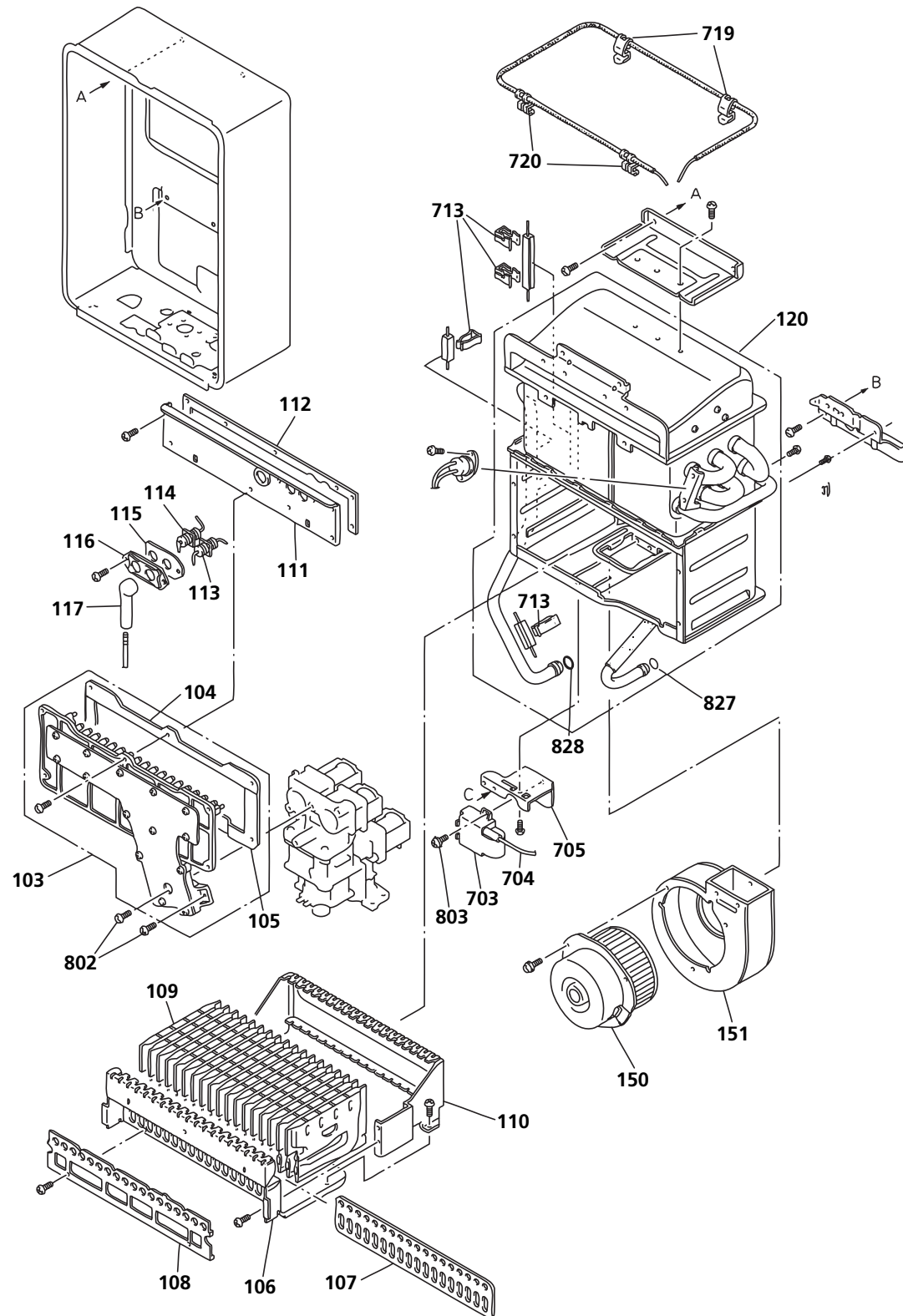
| Ref. | Description | Qty. | Part No. |
|------|--------------------------------|------|-----------|
| | SI = stocked item | | |
| 001 | Front panel assembly | 1 | 2943 (SI) |
| 002 | Front panel packing | 3 | 2940 |
| 010 | Wall bracket | 2 | 3387 (SI) |
| 011 | Seal packing | 1 | 2898 |
| 012 | Rubber bush C CR | 1 | 2881 |
| 015 | Connection reinforcement panel | 1 | 2864 |
| 130 | Exhaust opening | 1 | 2865 |
| 131 | Flue outlet packing | 1 | 2933 |
| 132 | Front panel seal packing | 1 | 2934 |
| 800 | Screw | 1 | 2897 |
| 801 | Truss screw | 3 | 2939 |

This diagram is provided to assist you to identify parts if replacement is necessary. Contact your place of purchase or the manufacturer to enquire about parts, availability and/or service.



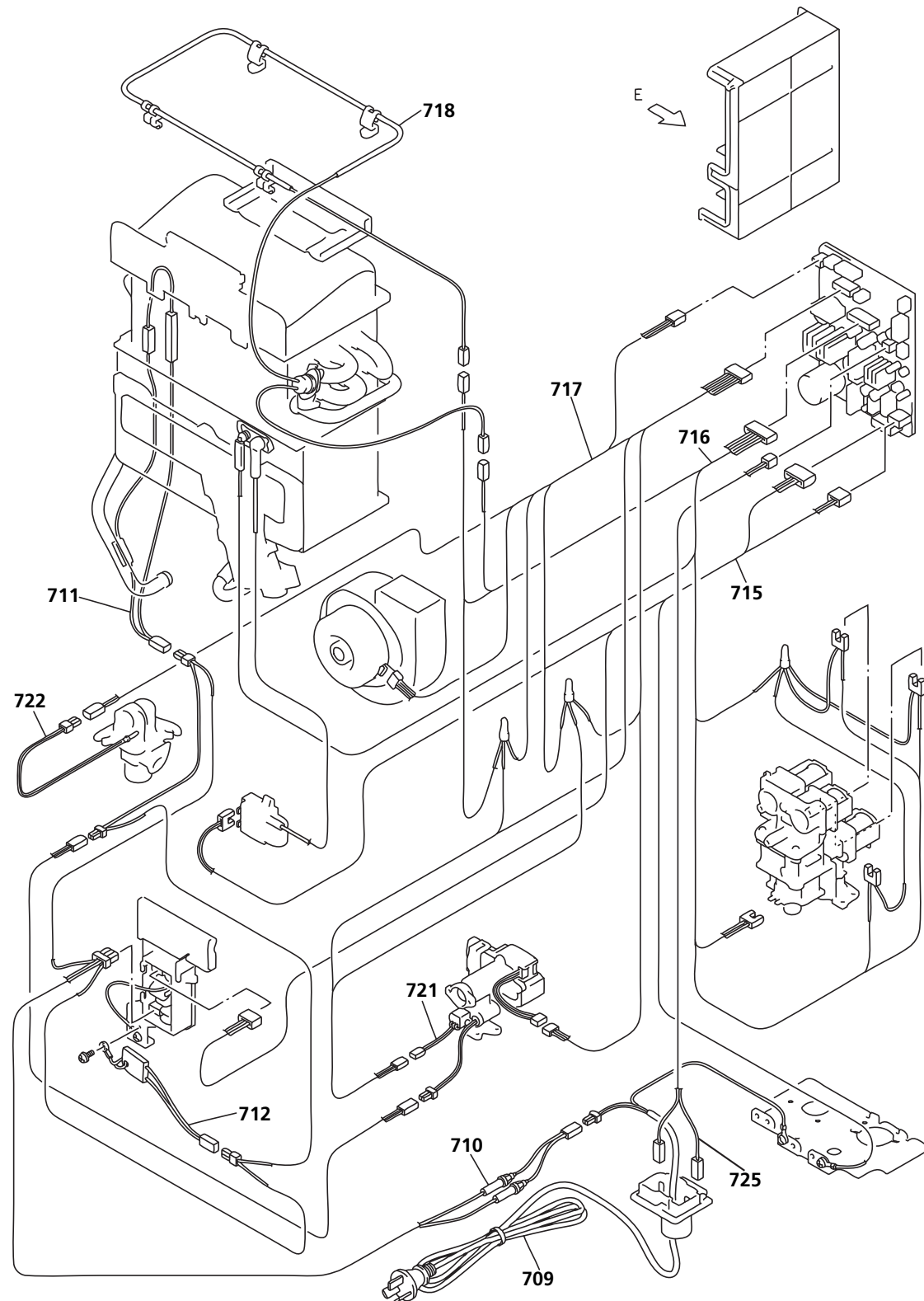
| Ref. | Description | Qty. | Part No. |
|------|--------------------------|------|-----------|
| | SI = stocked item | | |
| 013 | Quick control connection | 1 | 2877 |
| 014 | Cable seal packing | 1 | 2928 |
| 100 | Gas connection | 1 | 3074 |
| 101 | Test point screw | 2 | 3564 (SI) |
| 102 | Gas control | 1 | 5753 (SI) |
| 121 | Bracket | 1 | 3331 |
| 122 | Bracket fixing | 1 | 3332 |
| 400 | Inlet water connection | 1 | 2894 |
| 401 | Plug band inlet | 1 | 2927 |
| 402 | Incoming water filter | 1 | 3839 (SI) |
| 404 | Balancer | 1 | 3487 |
| 405 | Water servo & sensor LPG | 1 | 2944 |
| 407 | Water servo & sensor NG | 1 | 2945 (SI) |
| 406 | Water flow servo cover | 1 | 2871 (SI) |
| 408 | Hot water connection | 1 | 3420 |
| 409 | Plug band hot water | 1 | 2926 |
| 410 | Pressure relief valve | 1 | 3491 |
| 700 | PCB main assy. | 1 | 3238 (SI) |
| 701 | EC cover 2-Z | 1 | 2872 |
| 702 | PCB cover | 1 | 2866 |
| 706 | Surge protector | 1 | 4930 (SI) |
| 707 | Sub circuit board cover | 1 | 2873 |
| 708 | Fixing plate | 1 | 2925 |
| 804 | Thermistor stop screw | 1 | 3241 |
| 820 | O-ring | 2 | 2239 (SI) |
| 821 | Gas inlet o-ring | 1 | 3837 |
| 822 | Packing | 2 | 3773 |
| 825 | O-ring | 1 | 3832 |
| 826 | O-ring | 1 | 1031 |
| 829 | O-ring | 1 | 1244 |
| 830 | O-ring | 1 | 3627 |

This diagram is provided to assist you to identify parts if replacement is necessary. Contact your place of purchase or the manufacturer to enquire about parts, availability and/or service.



| Ref. | Description | Qty. | Part No. |
|------|--------------------------------|------|-----------|
| | SI = stocked item | | |
| 103 | Manifold assembly LPG | 1 | 2875 (SI) |
| 103 | Manifold assembly NG | 1 | 2876 (SI) |
| 104 | Manifold packing top | 1 | 2929 |
| 105 | Manifold packing lower | 1 | 2930 |
| 106 | Burner case front | 1 | 2867 |
| 107 | Packing | 1 | 2931 |
| 108 | Damper | 1 | 2879 (SI) |
| 109 | Lean & rich burner assembly | 22 | 2941 |
| 110 | Burner case rear | 1 | 2874 |
| 111 | Combustion chamber front | 1 | 2862 |
| 112 | Combustion chamber packing top | 1 | 2932 |
| 113 | Electrode | 1 | 3445 (SI) |
| 114 | Front electrode | 1 | 4916 (SI) |
| 115 | Electrode packing | 1 | 3465 (SI) |
| 116 | Electrode holder | 1 | 3468 (SI) |
| 117 | Electrode sleeve | 1 | 3475 (SI) |
| 120 | Heat exchanger assembly | 1 | 2946 (SI) |
| 150 | Fan motor assembly | 1 | 2883 (SI) |
| 151 | Fan casing | 1 | 2863 (SI) |
| 703 | Ignitor assembly | 1 | 2886 (SI) |
| 704 | HT lead universal | 1 | 3651 (SI) |
| 705 | Ignitor fixing plate | 1 | 2900 |
| 713 | Heater fixing plate | 4 | 2899 |
| 719 | Temperature fuse fixing plate | 2 | 3659 |
| 720 | Temperature fuse fixing plate | 2 | 4899 |
| 802 | Screw | 3 | 2938 |
| 803 | Tapping screw | 1 | 2896 |
| 827 | O-ring | 1 | 4912 |
| 828 | O-ring | 1 | 3826 |

This diagram is provided to assist you to identify parts if replacement is necessary. Contact your place of purchase or the manufacturer to enquire about parts, availability and/or service.



| Ref. | Description | Qty. | Part No. |
|------|-----------------------------|------|-----------|
| | SI = stocked item | | |
| 709 | Power cord | 1 | 3526 |
| 710 | Fuse harness-2 LPG | 1 | 2855 (SI) |
| 710 | Fuse harness NG | 1 | 2854 (SI) |
| 711 | Valve water heater assembly | 1 | 4900 |
| 712 | Frost sense switch | 1 | 3358 |
| 715 | Electric power harness | 1 | 2888 |
| 716 | Magnet valve harness | 1 | 2889 |
| 717 | Sensor harness solar | 1 | 3239 |
| 718 | Thermal fuse assembly | 1 | 2887 (SI) |
| 721 | MR sensor | 1 | 3771 |
| 722 | Thermistor | 1 | 2884 (SI) |
| 725 | Remote controller harness | 1 | 2891 |