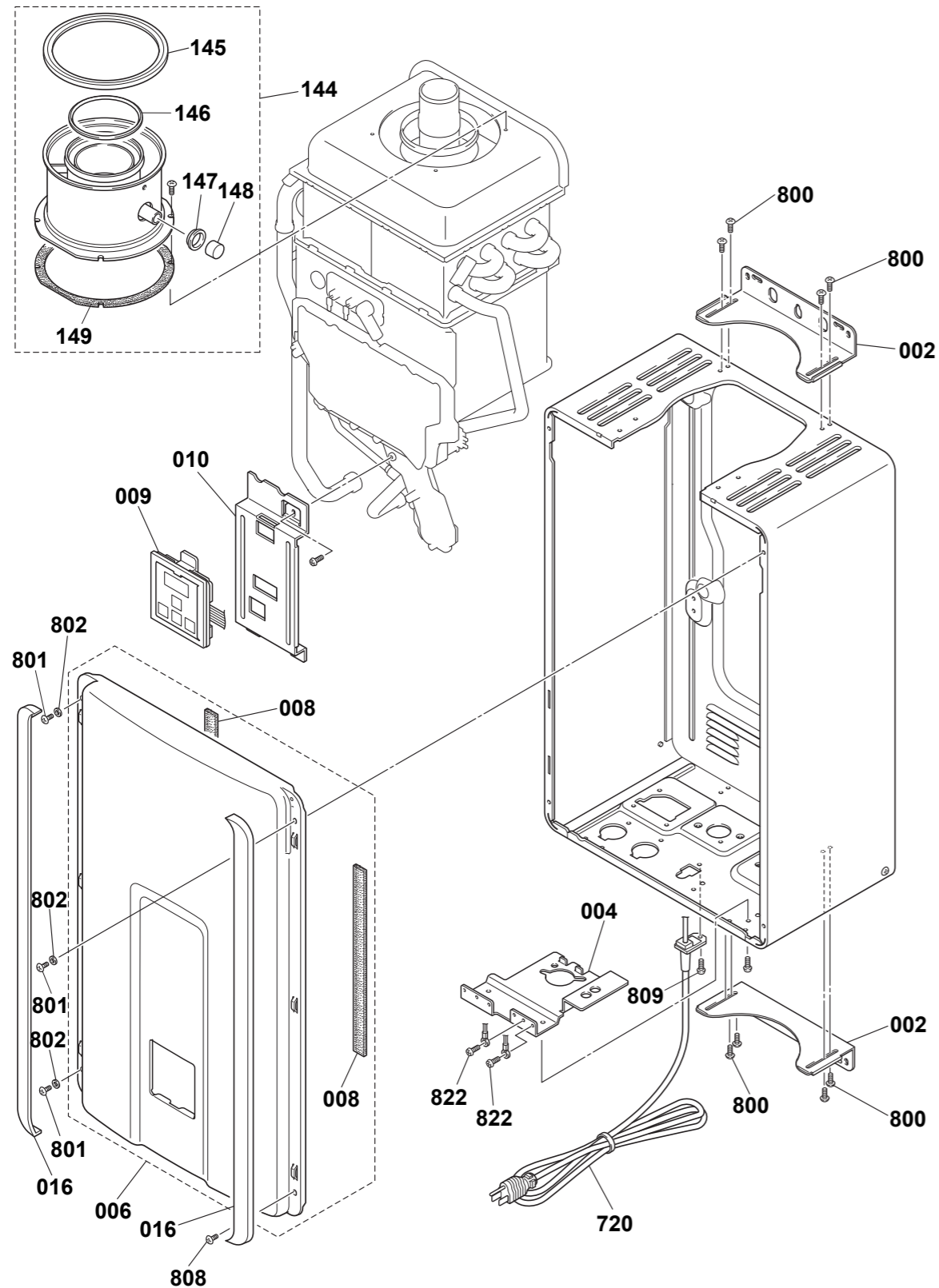
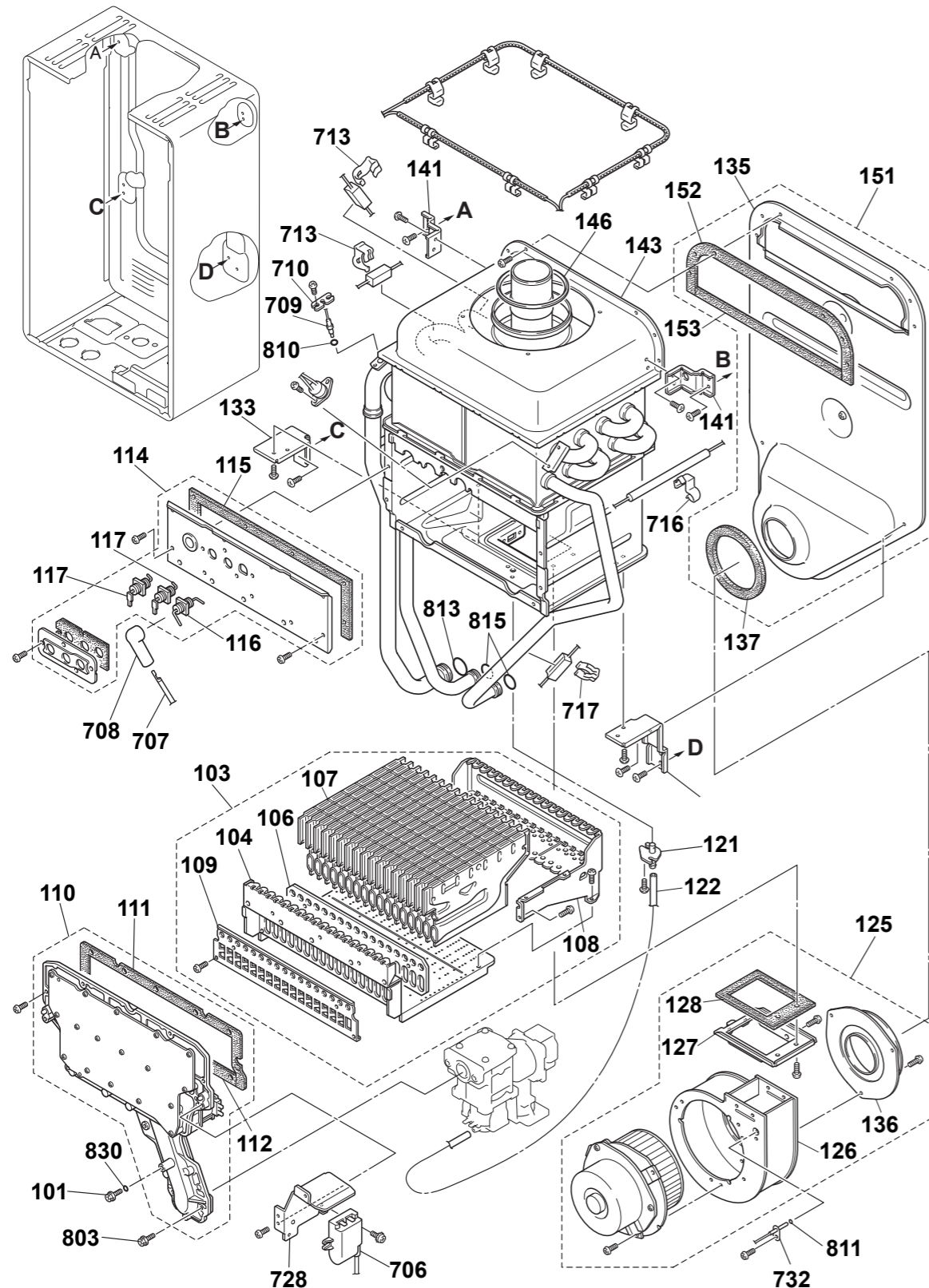


This diagram is provided to assist you to identify parts if replacement is necessary. Contact your place of purchase or the manufacturer to enquire about parts, availability and/or service.



Ref.	Description	Part No.
002	Wall bracket INFINITY	40446
004	Connection reinforcement panel	40429
006	Front panel assembly silver	40447
008	Front panel packing side	40408
009	Inbuilt controller HD49kWi	40449
010	Inbuilt controller fixing plate	40409
016	Front cover trim	40370
144	Flue outlet assembly	40419
145	Seal ring internal	4978
146	O-ring internal	4977
147	Pipe seal	40420
148	Condensate cap	4980
149	Exhaust pipe packing	40421
720	Power cord	40195
800	Truss screw	40427
801	Truss screw front panel	2939
802	Washer AU33-184X01	4762
806	Screw pack INF front panel	R5040
808	Earth screw INF front panel	2897
809	Power cord fixing screw	40444
822	Screw earth pole	40316

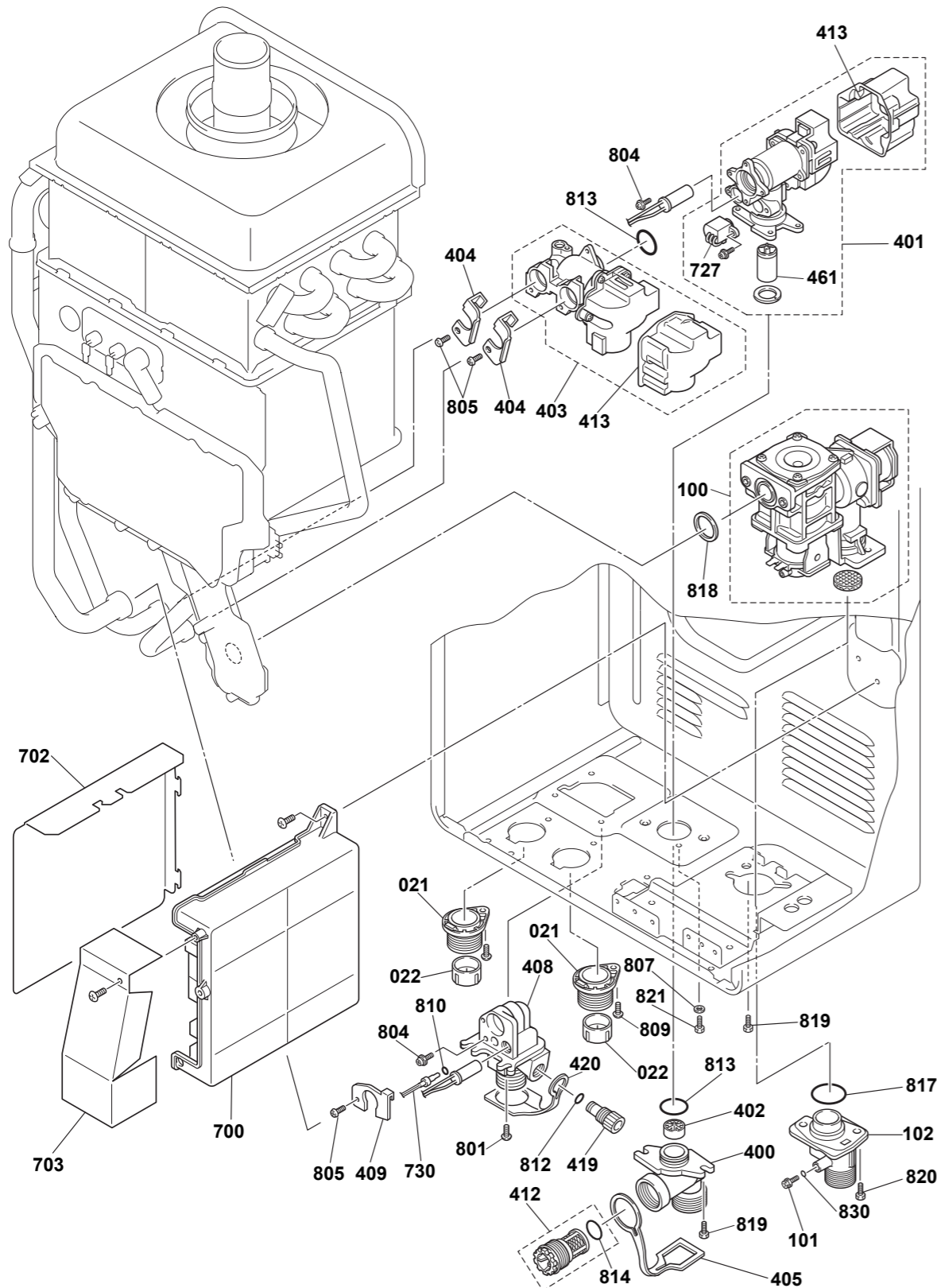
This diagram is provided to assist you to identify parts if replacement is necessary. Contact your place of purchase or the manufacturer to enquire about parts, availability and/or service.



Ref.	Description	Part No.
101	Test point screw	40338
103	Burner unit assembly NG	40372
103	Burner unit assembly LPG	40434
104	Burner case front panel	40373
106	Gasket burner case front	40374
107	Lean and rich burner assembly	3440
108	Burner case back plate	40375
109	Damper NG	40376
109	Damper LPG	40435
110	Manifold assembly LPG	40377
110	Manifold assembly NG	40378
111	Combustion chamber packing upper	40379
112	Combustion chamber packing lower	40380
114	Combustion chamber assembly front	40436
115	Gasket combustion chamber	40382
116	Electrode	40383
117	Flame rod	5694
121	Back pressure joint	3604
122	Tube G	40410
125	Fan motor assembly	40451
126	Fan casing assembly	40411
127	Fan connection bracket	40387
128	Fan connection seal	40388
132	Heat exchanger bracket right	40413
133	Heat exchanger bracket left	40414
135	Air inlet	40415
136	Fan bracket	40416
137	Seal packing	40417

Ref.	Description	Part No.
141	Heat exchanger bracket top	40418
143	Heat exchanger assembly	40452
146	O-ring	4977
151	Air inlet assembly	40422
152	Duct packing upper	40423
153	Duct packing lower	40424
706	Ignitor assembly	2886
707	High tension lead	3651
708	Electrode sleeve	3475
709	Thermistor	40440
710	Thermistor clip	3882
713	Heater clip	40425
716	Antifrost heater clip circular	40397
717	Heater fixing plate A	2032
728	Igniter fixing plate	40400
732	Air intake thermistor	40454
803	Manifold fixing screw	5740
810	O-ring M10B-2-4	3832
811	O-ring M10B-2-3	2974
813	O-ring M10B-2-18	3627
815	O-ring M10B-2-14	3826
830	O-ring M10B-13-4	40224

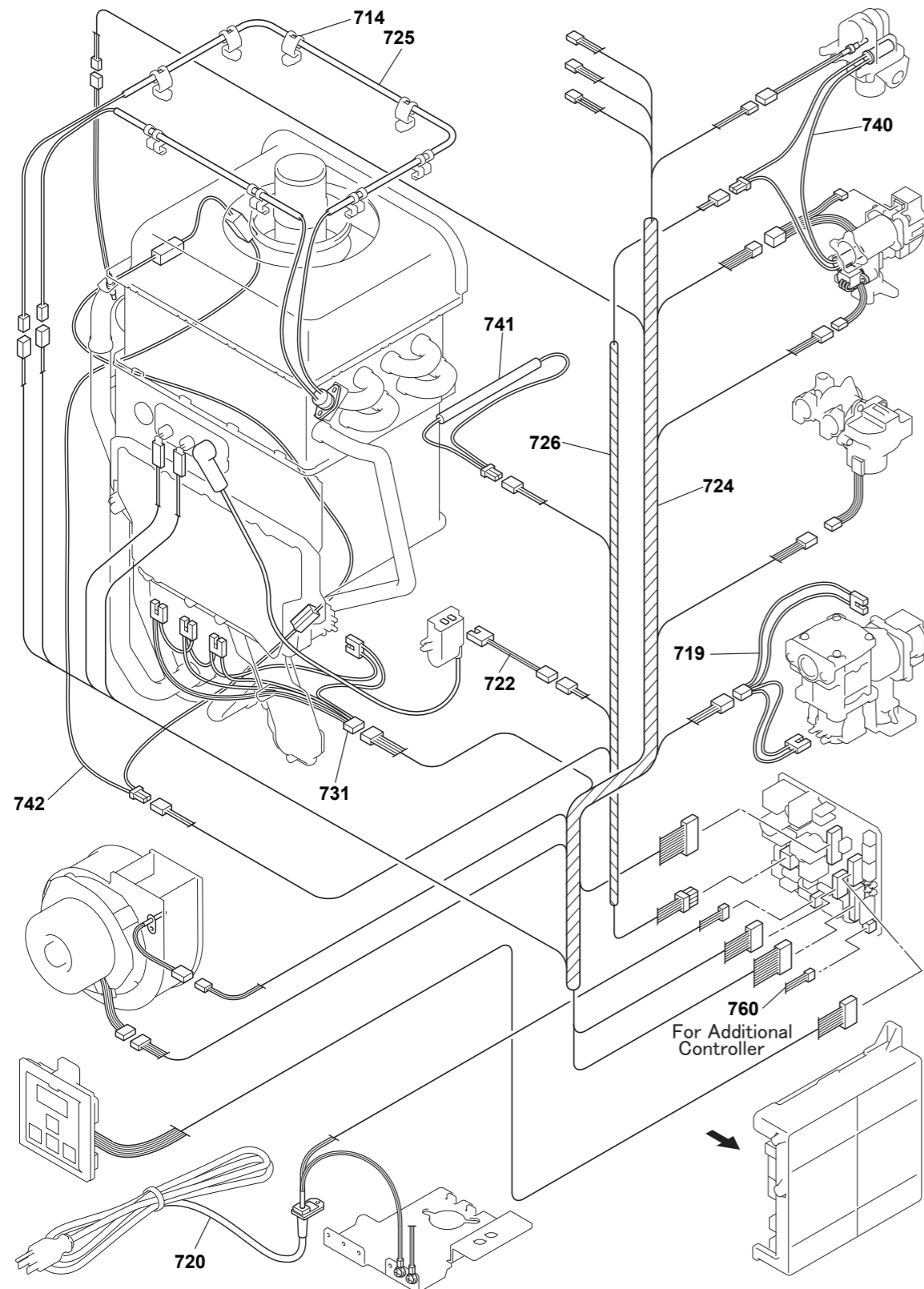
This diagram is provided to assist you to identify parts if replacement is necessary. Contact your place of purchase or the manufacturer to enquire about parts, availability and/or service.



Ref.	Description	Part No.
021	Cable connection	40431
022	Cable seal packing	3551
100	Gas control assembly	40432
101	Test point screw	40338
102	Gas connection 3/4	40433
400	Water inlet 3/4	3484
401	Water flow servo and sensor	40393
402	Flow straightener	3487
403	Bypass servo assembly	40394
404	Fixing bracket	3624
405	Plug band inlet	2927
408	Hot water outlet 3/4	5706
409	Fixing bracket	3948
412	Incoming water filter	3839
413	Water flow servo cover	4171
419	Drain valve	3491
420	Plug band	5707
461	Water flow turbine	40256
700	PCB main assembly	40438
702	Sub circuit board cover	40396
703	PCB cover	40439
727	MR sensor	5239
730	Twin thermistor	40194
801	Truss screw front panel	2939
804	Thermistor stop screw	3241
805	Screw ZAA0408UK	5244
807	Gas connection screw washer	5741
809	Power cord fixing screw	40444
810	O-ring M10B-2-4	3832
812	O-ring M10B-2-7	1031
813	O-ring M10B-2-18	3627
814	O-ring M10B-2-16	1244

Ref.	Description	Part No.
817	Gas inlet o-ring M10B-1-21	3837
818	Packing	5255
819	Hexagon head screw ZQAA0512UK	4770
820	Hexagon head screw ZQAA05114UK	4771
821	Screw ZQAA0508UK	4772
830	O-ring M10-13-4	40224

This diagram is provided to assist you to identify parts if replacement is necessary. Contact your place of purchase or the manufacturer to enquire about parts, availability and/or service.



Ref.	Description	Part No.
714	Thermal fuse fixing plate	4899
719	Main solenoid harness	40441
720	Power cord INF	40195
722	Igniter lead-2	40398
724	Sensor harness	40453
725	Fuse harness	40399
726	Power relay harness	40443
731	Solenoid harness	40401
740	Valve heater-2	40403
741	Ceramic antifrost heater	40404
742	Block heater FF-2	40426
760	Remote control lead (pre-wired mini plug) (1 is supplied with each unit—located with guides in a small plastic bag)	40293