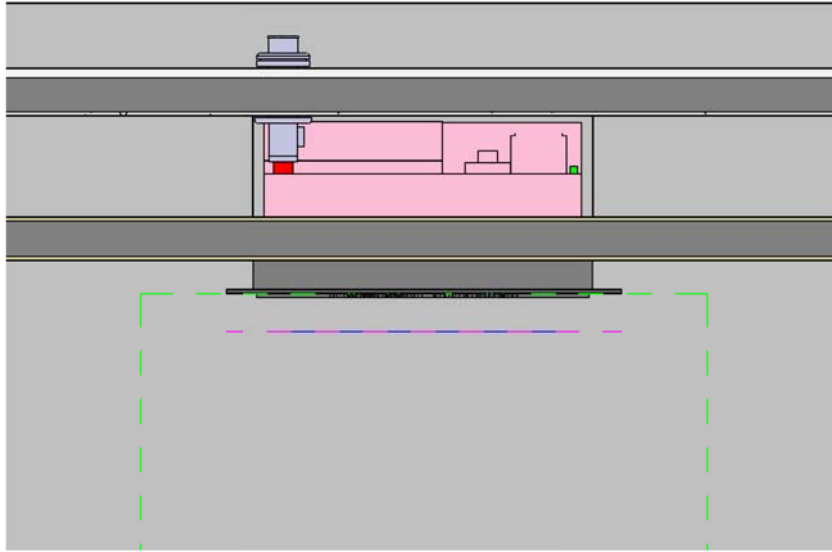
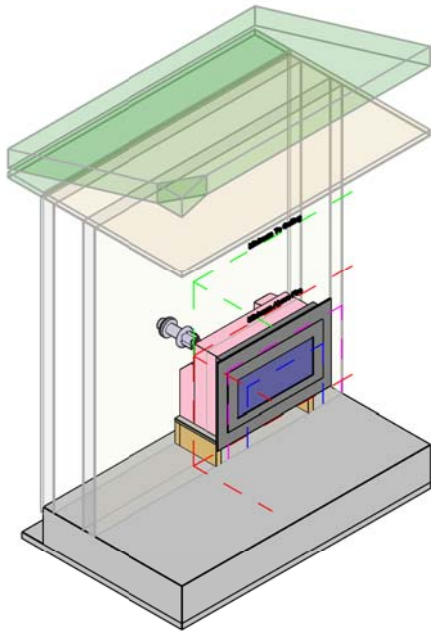


Note:

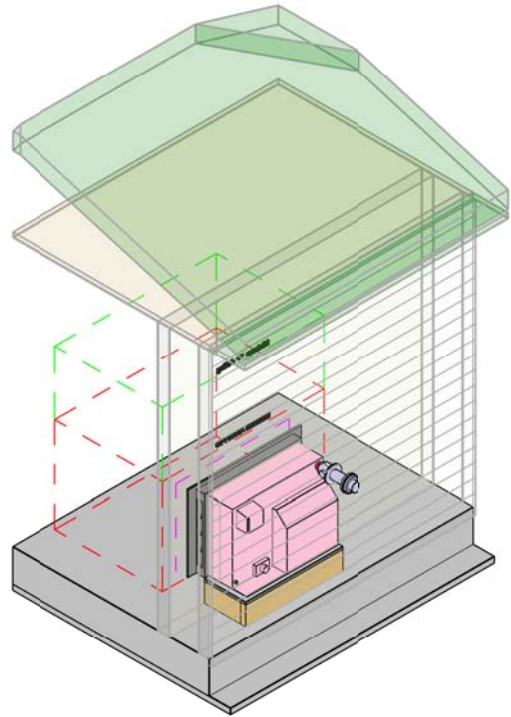
- 2° fall from heater to wall terminal
- can also be used in combination with ESPIPE900 for longer flueing



Plan View



Isometric View Front



Isometric View Back